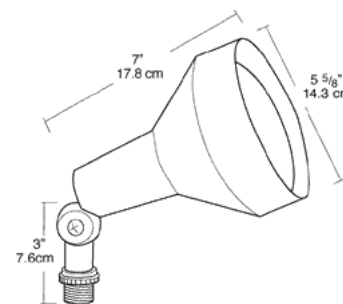


# H101VG

Large size flood for easier relamping and glare reduction. Durable one piece die casting with rugged mounting arm, weatherproof gasket and drain holes. Accepts 150 watt PAR 38 max. Lamp not supplied.

Color: Verde green

Weight: 1.4 lbs



## Lamp Info

Type: PAR38  
 Watts: 150W  
 Shape/Size: N/A  
 Base: N/A  
 ANSI: N/A  
 Hours: 0  
 Lamp Lumens: 0  
 Efficacy: N/A

## Ballast Info

Type: N/A  
 120V: N/A  
 208V: N/A  
 240V: N/A  
 277V: N/A  
 Input Watts: 0W  
 Efficiency: N/A

## Technical Specifications

### UL Listing:

Suitable for wet locations. Suitable for mounting within 1.2m (4ft) of the ground. When using as an uplight in outdoor applications, a Hood or a Visor must be used.

### Sockets:

Porcelain with all copper current carrying components.

### Swivels:

Fully adjustable with sure-grip locks. 1/2" NPS threaded arm with serrated locking swivel fits all standard mounting covers. Color matched EZ Grip lock nuts.

### Housings:

Die cast aluminum with powder coat finish.

### Lamps:

Medium base Par-38 lamps up to 150 watts. Halogen lamps give brighter light and choice of beam spreads.

### Gaskets:

High temperature silicone rubber extends around both socket and lamp.

### Patents:

RAB sensor and fixture designs are protected under U.S. and International Intellectual Property laws.