



The affordable LED GUS is designed to deliver general ambient lighting for surface-mount ceiling/wall or pendant mount applications. Diffusion lens delivers improved visual performance and a more refined look. Replaces traditional 4' linear fluorescent wraparound fixtures.

Color: White

Weight: 17.9 lbs

**Project:**

**Type:**

**Prepared By:**

**Date:**

### Driver Info

Type	Constant Current
120V	0.30A
208V	0.18A
240V	0.15A
277V	0.13A
Input Watts	35.7W

### LED Info

Watts	36W
Color Temp	3500K (Warm Neutral)
Color Accuracy	83 CRI
L70 Lifespan	100,000 Hours
Lumens	4,681
Efficacy	131.1 lm/W

## Technical Specifications

### Compliance

#### UL Listed:

Suitable for damp locations

### Performance

#### Lifespan:

100,000-Hour LED lifespan based on IES LM-80 results and TM-21 calculations

### LED Characteristics

#### Color Stability:

LED Color temperature is warranted to shift no more than 200K in color temperature over a 5-year period

#### Color Uniformity:

RAB's range of Correlated Color Temperature follows the guidelines of the American National Standard for Specifications for the Chromaticity of Solid State Lighting (SSL) Products, ANSI C78.377-2017.

### Electrical

#### Driver:

Constant current, Class 2, 120-277V, 50/60 Hz, 120V: 0.30A, 208V: 0.18A, 240V: 0.15A, 277V: 0.13A, 2kV surge protection

#### Dimming Driver:

Driver includes dimming control wiring for 0-10V dimming systems. Requires separate 0-10V DC dimming circuit. Dims down to 10%.

#### THD:

4.21% at 120V, 3.91% at 277V

#### Power Factor:

99.5% at 120V, 94.6% at 277V

#### Minimum Starting Temperature:

0° to 40°C

### Construction

#### Housing:

Die-formed 22 gauge, cold-rolled, post-painted steel. Post painting improves durability of the finish and eliminates the sharp edges making handling and installation safer.

#### Mounting:

Surface mount. Can be mounted with chains or v-hooks by others.

#### Lens:

Acrylic lens with diffusion for enhanced optical performance

#### Reflector:

Aluminum with high-reflectance (91%) powder coat applied post production for a more durable finish

#### Finish:

Formulated for high durability and long-lasting color

## Technical Specifications (continued)

### Construction

#### Green Technology:

Mercury and UV free. RoHS-compliant components.

### Other

#### Buy American Act Compliance:

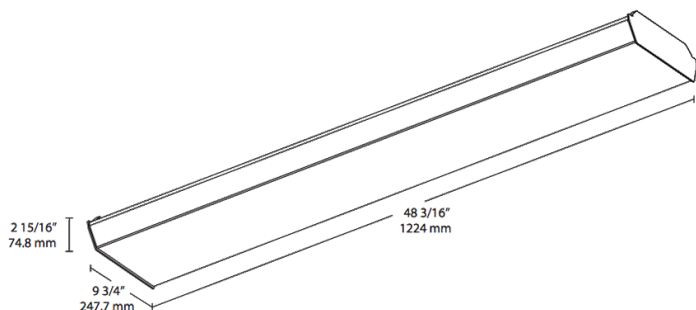
RAB values USA manufacturing! Upon request, RAB may be able to manufacture this product to be compliant with the Buy American Act (BAA). Please contact customer service to request a quote for the product to be made BAA compliant.

### Listings

#### DLC Listed:

This product is listed by Design Lights Consortium (DLC) as an ultra-efficient premium product that qualifies for the highest tier of rebates from DLC Member Utilities. DLC Product Code: PYENHFHV

## Dimensions



## Features

- Energy-efficient, maintenance-free LED wrap fixture
- Multiple mounting options: surface, pendant or chain
- High-reflectance white finish for optimal output
- Diffusion wrap-around lens for smooth light distribution
- 0-10V dimming standard
- 100,000-Hour LED lifespan

## Ordering Matrix

Family	Size	Wattage	Color Temp	Finish	Driver Options
GUS	4	36	YN	W	/D10
	4 = 4 feet 2 = 2 feet	18 = 18W (2 ft) 25 = 25W (2 ft) 36 = 36W (4 ft) 50 = 50W (4 ft)	Blank = 5000K (Cool) N = 4000K (Neutral) YN = 3500K (Warm Neutral) Y = 3000K (Warm)	W = White	/D10 = 0-10V Dimming /D10/E2 = 0-10V Dimming w/ Battery Backup /D10/LC = 0-10V Dimming w/ Lightcloud® Controller /D10/LC/E2 = 0-10V Dimming w/ Lightcloud® Controller and Battery Backup