



Prismatic glass globes hide the light source and allow maximum light output in RAB and other standard size Vaporproof fixtures.

Color: Clear

Weight: 1.3 lbs

Project:

Type:

Prepared By:

Date:

Technical Specifications

Compliance

UL Listed:

Suitable for wet locations when used with Vaporproof fixtures. Suitable for dry, damp or wet locations when used as replacement globes for listed fixtures. Fixtures must be installed with lamp base up when outdoors.

Construction

Glass Globes:

Clear thermal shock resistant soda lime glass standard

Electrical

Maximum Wattage:

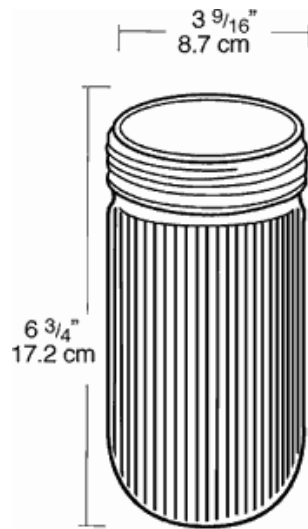
150 watts

Other

Buy American Act Compliance:

RAB values USA manufacturing! Upon request, RAB may be able to manufacture this product to be compliant with the Buy American Act (BAA). Please contact customer service to request a quote for the product to be made BAA compliant.

Dimensions



Features

Crystal Lime glass in two sizes and six colors
Industry standard $3 \frac{5}{32}$ " or $4 \frac{5}{32}$ " threads