



Versatile Floodlight with hinged lens frame and Hydroformed reflector. Field adjustable vertical and horizontal lamp positions.

Color: Bronze

Weight: 14.5 lbs

Project:

Type:

Prepared By:

Date:

Lamp Info

Type	ED17
Watts	150W
Shape/Size	N/A
Base	N/A
ANSI	N/A
Hours	24,000
Lamp Lumens	16,000
Efficacy	85.1 lm/W

Ballast Info

Type	HX-HPF QT
120V	2.0/1.7A
208V	1.2/1.0A
240V	1/1.9A
277V	.9/.8A
Input Watts	188W

Technical Specifications

Compliance

UL Listed:

Suitable for wet locations. Suitable for ground mounting.

Construction

Housing:

Precision die-cast aluminum. 1/2" NPS threaded arm with locking swivel.

Reflector:

Hydroformed aluminum. Field adjustable vertical or horizontal.

Lens Gasket:

High-temperature tubular silicone set in die cast retaining groove remains in place during relamping

Lens Frame:

Precision die cast aluminum. Hinged for easy access.

Finish:

Formulated for high durability and long-lasting color

Ground Mounting:

Use the new MPM19 PVC Mighty Post with aluminum cap for sturdy installation

EPA:

0.6

Electrical

Socket:

Porcelain 4kv Pulse Rated socket with nickel plated screw shell

Quad Tap:

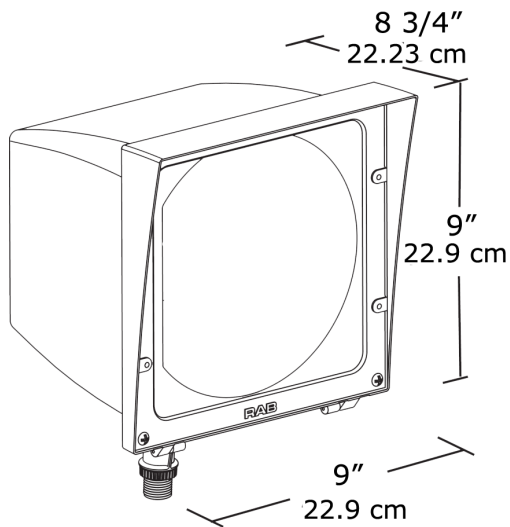
Fixture works with 120, 208, 240 and 277 Volts

Other

Buy American Act Compliance:

RAB values USA manufacturing! Upon request, RAB may be able to manufacture this product to be compliant with the Buy American Act (BAA). Please contact customer service to request a quote for the product to be made BAA compliant.

Dimensions



Features

- Fins for heat dissipation extend lamp & ballast tube
- Hinged lens frame is captive during relamping
- Silicone gasket for durable weatherproofing
- Hydroformed reflector is field adjustable to vertical or horizontal lamp positions
- Long life lamp included
- Precision die cast aluminum housing and lens frame with durable polyester powder coating
- EZ Grip locknut matches fixture finish and can be adjusted with fingers pliers or a screwdriver