



Color: Bronze

Weight: 31.5 lbs

**Project:**

**Type:**

**Prepared By:**

**Date:**

### Driver Info

|             |                  |
|-------------|------------------|
| Type        | Constant Current |
| 120V        | 1.31A            |
| 208V        | 0.80A            |
| 240V        | 0.69A            |
| 277V        | 0.60A            |
| Input Watts | 151.4W           |

### LED Info

|                |                 |
|----------------|-----------------|
| Watts          | 150W            |
| Color Temp     | 4000K (Neutral) |
| Color Accuracy | 71 CRI          |
| L70 Lifespan   | 100,000 Hours   |
| Lumens         | 17,213          |
| Efficacy       | 113.7 lm/W      |

## Technical Specifications

### Compliance

#### UL Listed:

Suitable for wet locations

#### IESNA LM-79 & LM-80 Testing:

RAB LED luminaires and LED components have been tested by an independent laboratory in accordance with IESNA LM-79 and LM-80.

#### Dark Sky Conformance:

Conforms to (allows for conformance to) the IDA's fully shielding requirement, emitting no light above 90 degrees (with the exclusion of incidental light reflecting from fixture housing, mounts, and pole).

### Listings

#### DLC Listed:

This product is on the Design Lights Consortium (DLC) Qualified Products List and is eligible for rebates from DLC Member Utilities. DLC Product Code: P00001750

### Performance

#### Lifespan:

100,000-Hour LED lifespan based on IES LM-80 results and TM-21 calculations

### Construction

#### IES Classification:

The Type II distribution is ideal for wide walkways, on ramps and entrance roadways, bike paths and other long and narrow lighting applications. This type is meant for lighting larger areas and usually is located near the roadside. This type of lighting is commonly found on smaller side streets or jogging paths.

#### Effective Projected Area:

EPA = 0.75

#### Maximum Ambient Temperature:

Suitable for use in up to 40°C (104°F)

#### Cold Weather Starting:

Minimum starting temperature is -40°C (-40°F)

#### Thermal Management:

Superior thermal management with external "Air-Flow" fins

### Lens:

Tempered glass lens

### Housing:

Die-cast aluminum housing, lens frame and mounting arm

### IP Rating:

Ingress Protection rating of IP66 for dust and water

### Mounting:

Universal mounting arm compatible for hole spacing patterns from 1" to 5 1/2" center to center. Round Pole Adaptor plate included as a standard. Easy slide and lock to mount fixture with ease. Round pole diameter must be >4" to mount fixtures at 90° orientation.

## Technical Specifications (continued)

### Construction

#### Reflector:

Specular vacuum-metallized polycarbonate

#### Gaskets:

High-temperature silicone gaskets

#### Finish:

Formulated for high durability and long-lasting color

#### Green Technology:

Mercury and UV free. RoHS-compliant components.

### LED Characteristics

#### LEDs:

Multi-chip, high-output, long-life LEDs

#### Color Consistency:

3-step MacAdam Ellipse binning to achieve consistent fixture-to-fixture color

#### Color Stability:

LED color temperature is warrantied to shift no more than 200K in color temperature over a 5-year period

#### Color Uniformity:

RAB's range of Correlated Color Temperature follows the guidelines of the American National Standard for Specifications for the Chromaticity of Solid State Lighting (SSL) Products, ANSI C78.377-2017.

### Electrical

#### Driver:

One Driver, Constant Current, Class 2, 2100mA 100-277V, 50-60Hz, Power Factor 99%

#### THD:

5.9% at 120V, 11.2% at 277V

#### Power Factor:

99.5% at 120V, 93.7% at 277V

#### Surge Protection:

4kV

### Optical

#### BUG Rating:

B2 U0 G2

### Other

#### BAA Compliance:

Click [here](#) for BAA compliance.

#### Warranty:

RAB warrants that our LED products will be free from defects in materials and workmanship for a period of five (5) years from the date of delivery to the end user, including coverage of light output, color stability, driver performance and fixture finish. RAB's warranty is subject to all terms and conditions found at [rablighting.com/warranty](http://rablighting.com/warranty).

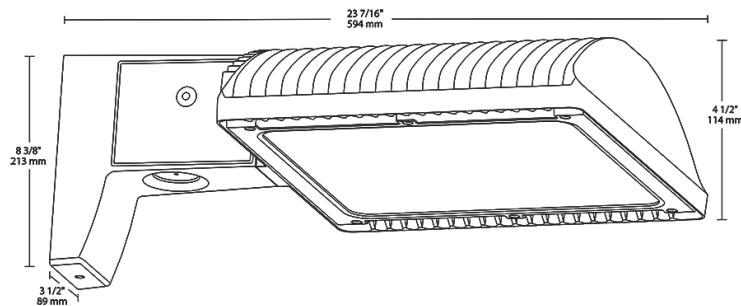
#### Equivalency:

Equivalent to 400W Metal Halide

#### Buy American Act Compliance:

RAB values USA manufacturing! Upon request, RAB may be able to manufacture this product to be compliant with the Buy American Act (BAA). Please contact customer service to request a quote for the product to be made BAA compliant.

### Dimensions



### Features

66% energy cost savings vs. HID

100,000-hour LED lifespan

5-Year, No-Compromise Warranty

## Ordering Matrix

| Family | Optics   | Wattage   | Mounting  | Color Temp   | Finish  | Driver Options   | Options   | Other Options   |
|--------|--|---|---|--|---|--|---|---|
| ALED   | 2T   | 150   |   | N  |   |  |   |   |
|        | <b>4T</b> = Type IV<br><b>3T</b> = Type III<br><b>2T</b> = Type II | <b>50</b> = 50W<br><b>78</b> = 78W<br><b>105</b> = 105W<br><b>125</b> = 125W<br><b>150</b> = 150W | <b>Blank</b> = Pole mount<br><b>SF</b> = Slipfitter | <b>Blank</b> = 5000K (Cool)<br><b>N</b> = 4000K (Neutral)<br><b>Y</b> = 3000K (Warm) | <b>Blank</b> = Bronze<br><b>RG</b> = Roadway Gray<br><b>W</b> = White<br><b>K</b> = Black | <b>Blank</b> = 120-277V<br><b>/480</b> = 480V<br><b>/BL</b> = Bi-Level<br><b>/D10</b> = 0-10V Dimming<br><b>/480/D10</b> = 480V, 0-10V Dimming | <b>Blank</b> = No Option<br><b>/LC</b> = Lightcloud® Controller<br><b>/PCS</b> = 120V Swivel Photocell<br><b>/PCS2</b> = 277V Swivel Photocell<br><b>/PCT</b> = 120-277V Twistlock Photocell<br><b>/PCS4</b> = 480V Swivel Photocell<br><b>/PCT4</b> = 480V Twistlock Photocell<br><b>/WS2</b> = Multi-Level Motion Sensor 20 ft.<br><b>/WS4</b> = Multi-Level Motion Sensor 40 ft. | <b>Blank</b> = Standard<br><b>USA</b> = BAA Compliant |