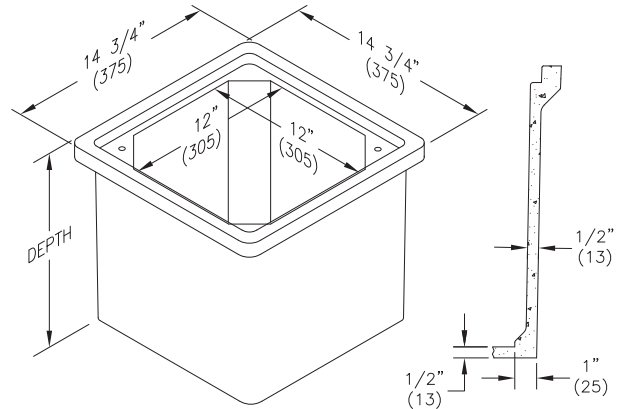
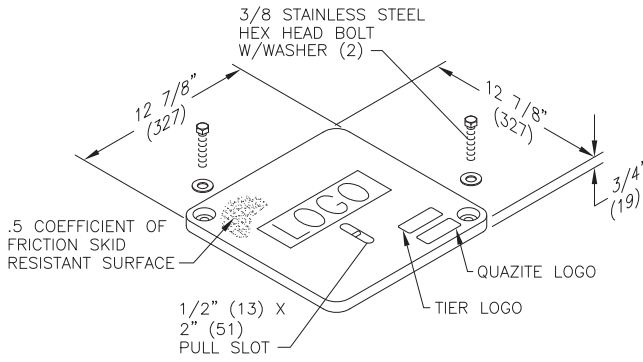


Dimensions / Data

12" x 12" PC Style Polymer Concrete (Stackable) Assembly

Hex Head Bolts are Standard



Covers

	DESCRIPTION	TIER	DESIGN / TEST LOAD #	WEIGHT #	PALLET QTY	PART NO.
UL	W/ 2 Bolts	8	8,000 / 12,000	12	60	PC1212CA00**
UL	W/ 2 Bolts	15	15,000 / 22,500	12	60	PC1212HA00**
UL	No Bolts	8	8,000 / 12,000	12	60	PC1212WA00**

To order gasketed covers, replace the letter "A" with the letter "G".

Gasketed covers are with 4 bolts.

Replace ** with a logo code found on page 18.

NOTE: Gasketed covers and bolt grommets must be used with a gasketed box. Gaskets reduce the inflow of fluids but do not make the enclosure water tight.

Boxes

	DESCRIPTION	DEPTH	TIER	DESIGN / TEST LOAD #	WEIGHT #	PALLET QTY	PART NO.
UL	Standard Open Bottom	12"	15	15,000 / 22,500	36	30	PC1212BA12
UL	Solid Bottom	12 1/2"	15	15,000 / 22,500	41	30	PC1212DA12

To order gasketed boxes, replace the letter "A" with the letter "G".

Gaskets reduce the inflow of fluids but do not make the enclosure water tight.

NOTE: Gasketed covers and bolt grommets must be used with a gasketed box. Gaskets reduce the inflow of fluids but do not make the enclosure water tight.