

End clamp - CLIPFIX 35 - 3022218

Please be informed that the data shown in this PDF Document is generated from our Online Catalog. Please find the complete data in the user's documentation. Our General Terms of Use for Downloads are valid (<http://phoenixcontact.com/download>)



Quick mounting end clamp for NS 35/7,5 DIN rail or NS 35/15 DIN rail, with marking option, width: 9.5 mm, color: gray

Product Features

- ✓ Phoenix Contact has engineered its CLIPFIX end brackets to maintain a secure grip on the various DIN rail systems
- ✓ Design width of just 9.5 mm
- ✓ Large-surface labeling



Key commercial data

Packing unit	1 pc
Minimum order quantity	50 pc
GTIN	 4 017918 156541
Weight per Piece (excluding packing)	6.4 GRM
Custom tariff number	39269097
Country of origin	Poland

Technical data

Dimensions

Length (b)	55.6 mm
Width (a)	9.5 mm

General

Color	gray
Inflammability class according to UL 94	V2
Material	PA

End clamp - CLIPFIX 35 - 3022218

Classifications

eCl@ss

eCl@ss 4.0	27141199
eCl@ss 4.1	27141199
eCl@ss 5.0	27141135
eCl@ss 5.1	27141135
eCl@ss 6.0	27141135
eCl@ss 7.0	27141135
eCl@ss 8.0	27141135

ETIM

ETIM 2.0	EC000761
ETIM 3.0	EC001041
ETIM 4.0	EC001041
ETIM 5.0	EC001041

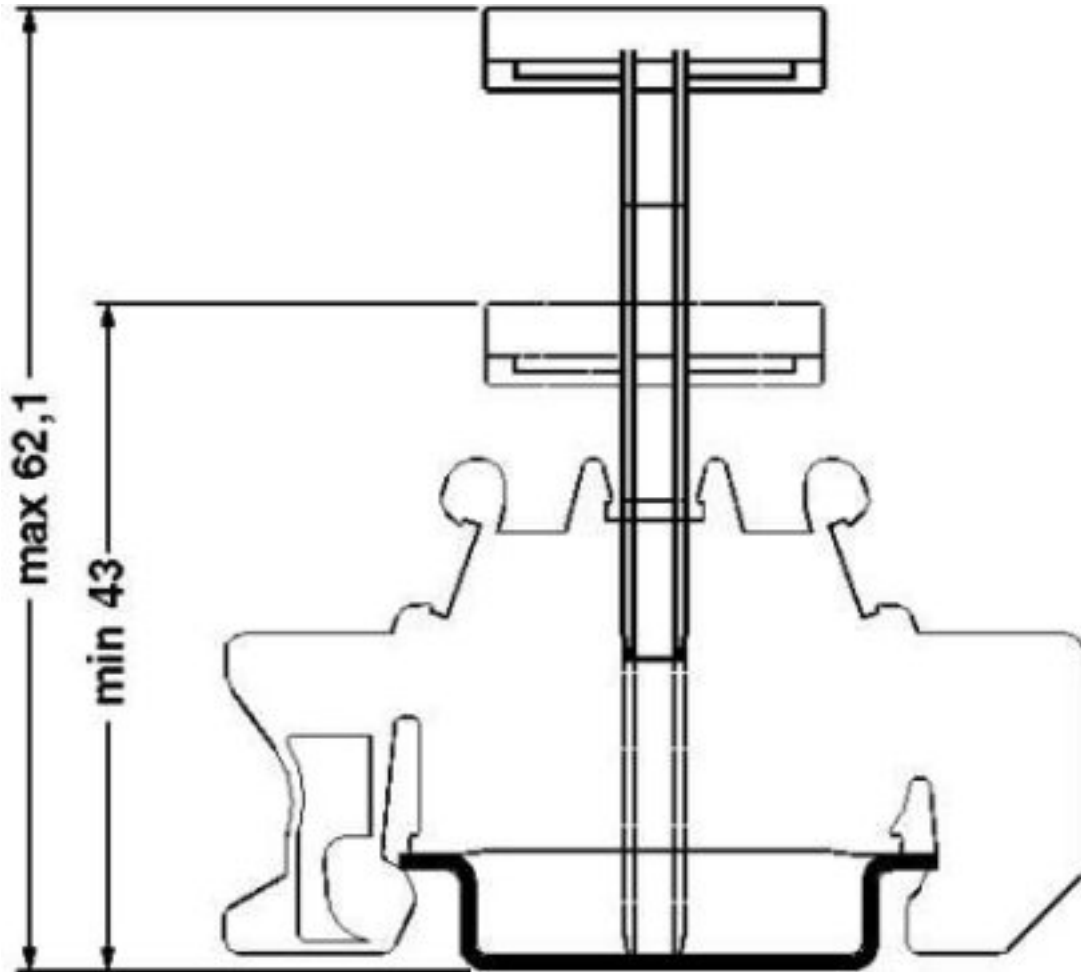
UNSPSC

UNSPSC 6.01	30212109
UNSPSC 7.0901	39121708
UNSPSC 11	39121708
UNSPSC 12.01	39121708
UNSPSC 13.2	39121708

Drawings

End clamp - CLIPFIX 35 - 3022218

Dimensioned drawing



End clamp - CLIPFIX 35 - 3022218

Dimensioned drawing

