

## Base element - UMK-BE 45 - 2970015

Please be informed that the data shown in this PDF Document is generated from our Online Catalog. Please find the complete data in the user's documentation. Our General Terms of Use for Downloads are valid (<http://phoenixcontact.com/download>)

Electronic board base, plug-in module base element



The figure shows a combination of versions UMK SE 11,25, UMK BE 11,25,- 22,5, -45 and UMK-FE

### Your advantages

- ✓ The modules can be marked using the marking grooves in the lateral element as well as with the Phoenix Contact PMB module marker, which is snapped into a bore hole (4 mm Ø) in the PCB
- ✓ Fast assembly thanks to the plug-in module principle. The tight engagement of the individual elements ensures that they are securely connected.
- ✓ Wide range of options for external conductor connection
- ✓ The mounting flange supports direct wall mounting
- ✓ Due to the universal foot, the modules can be snapped onto standard EN DIN rails



### Key Commercial Data

Packing unit	10 pc
GTIN	
GTIN	4017918087548

### Technical data

#### Product properties

Brief article description	Base element
Type	UMK-BE 45
Order No.	2970015
Housing type	Press-drawn section housings
Type	Plug-in module base element

#### Dimensions

Length [ l ]	45 mm
Profile width (external)	77 mm

## Base element - UMK-BE 45 - 2970015

### Technical data

#### Dimensions

Profile width (internal)	72.2 mm
Depth [ d ]	15.5 mm

#### Material specifications

Housing material	Polyamide
Color (RAL)	green
Flammability rating according to UL 94	V2

#### Ambient conditions

Ambient temperature (operation)	-40 °C ... 105 °C
---------------------------------	-------------------

#### Packaging specifications

Pieces per package	10
Denomination packing units	Pcs.

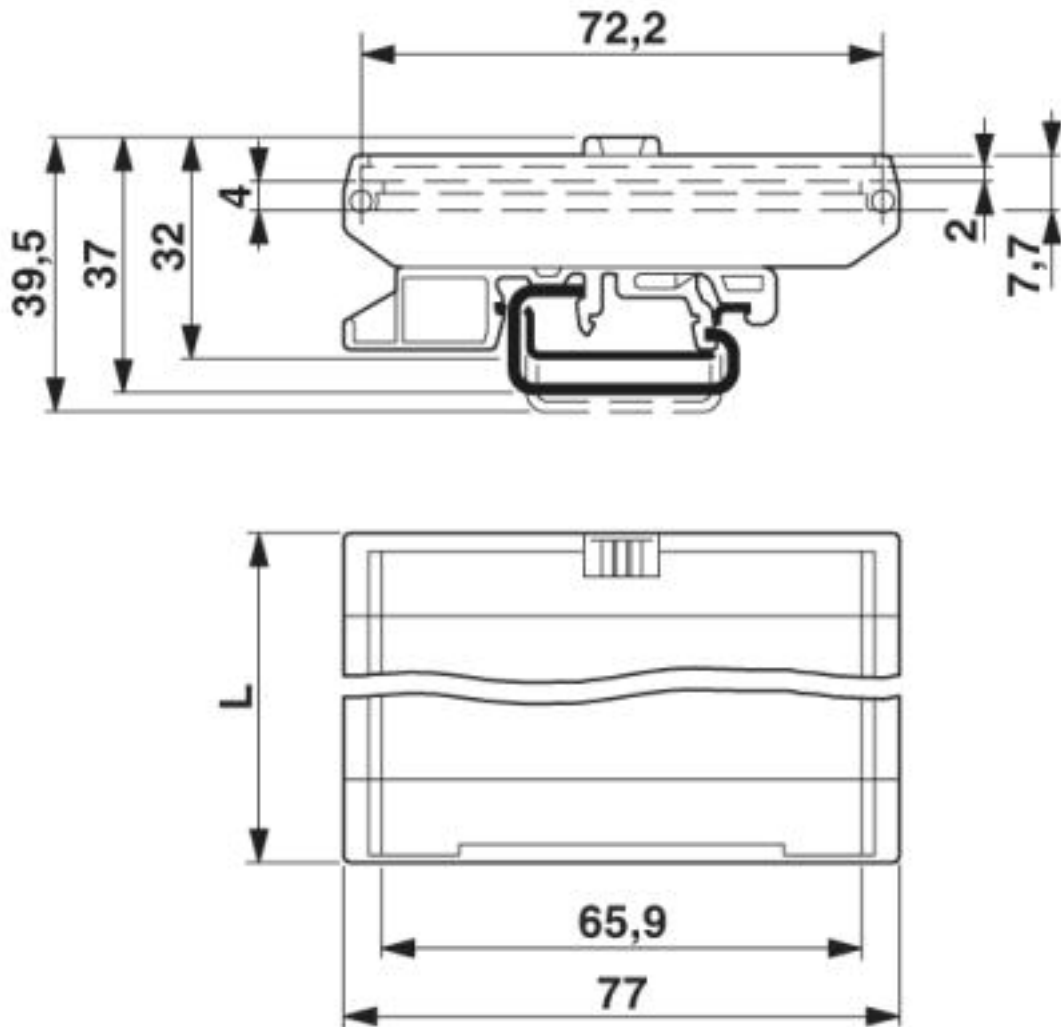
#### Environmental Product Compliance

China RoHS	Environmentally friendly use period: unlimited = EFUP-e
	No hazardous substances above threshold values

### Drawings

## Base element - UMK-BE 45 - 2970015

Dimensional drawing



### Classifications

#### eCl@ss

eCl@ss 4.0	27180400
eCl@ss 4.1	27180400
eCl@ss 5.0	27180500
eCl@ss 5.1	27180500
eCl@ss 6.0	27180800
eCl@ss 7.0	27182701
eCl@ss 8.0	27182701
eCl@ss 9.0	27182701

#### ETIM

ETIM 2.0	EC001031
----------	----------

# Base element - UMK-BE 45 - 2970015

## Classifications

### ETIM

ETIM 3.0	EC001031
ETIM 4.0	EC001031
ETIM 5.0	EC002779
ETIM 6.0	EC002779
ETIM 7.0	EC002779

### UNSPSC

UNSPSC 6.01	31261501
UNSPSC 7.0901	31261501
UNSPSC 11	31261501
UNSPSC 12.01	31261501
UNSPSC 13.2	31261501
UNSPSC 18.0	31261501
UNSPSC 19.0	31261501
UNSPSC 20.0	31261501
UNSPSC 21.0	31261501

## Approvals

### Approvals

Approvals

UL Recognized / EAC

Ex Approvals

### Approval details

UL Recognized		<a href="http://database.ul.com/cgi-bin/XYV/template/LISEXT/1FRAME/index.htm">http://database.ul.com/cgi-bin/XYV/template/LISEXT/1FRAME/index.htm</a>	FILE E 240868
---------------	--	-------------------------------------------------------------------------------------------------------------------------------------------------------	---------------

EAC		B.01742
-----	--	---------

## Accessories

Accessories

Component housing lower part

## Base element - UMK-BE 45 - 2970015

### Accessories

Base element - UMK-BE 22,5 - 2970028

Electronic board base, plug-in module base element



Base element - UMK-BE 11,25 - 2971535

Electronic board base, plug-in module base element



### Mounting material

Foot element - UMK-FE - 2970031

Foot element, for mounting on DIN rail NS 32 or DIN rail NS 35/7.5, can be inserted between base and side element



Mounting flange - UMK-BF - 2976077

Mounting flange, for mounting directly on the wall

