

Solid-state relay module - EMG 17-OV-TTL/ 24DC/2 - 2943259


Please be informed that the data shown in this PDF Document is generated from our Online Catalog. Please find the complete data in the user's documentation. Our General Terms of Use for Downloads are valid (<http://phoenixcontact.com/download>)



Power solid-state relay, with LED and protective circuit in input and output circuits, input: TTL 5 V DC, output: short-circuit-proof, 24 V DC/max. 2 A



Key Commercial Data

Packing unit	10 pc
GTIN	 4 017918 107543
GTIN	4017918107543

Technical data

Note

Utilization restriction	EMC: class A product, see manufacturer's declaration in the download area
-------------------------	---

Dimensions

Width	17.5 mm
Height	75 mm
Depth	102 mm

Ambient conditions

Ambient temperature (operation)	-20 °C ... 60 °C
Ambient temperature (storage/transport)	-20 °C ... 70 °C
Degree of protection	IP20

Input data

Nominal input voltage U_N	5 V (TTL)
Input voltage range in reference to U_N	0.8 ... 1.2
Input voltage range	4 V DC ... 6 V DC
Switching threshold "0" signal, voltage	0.8 V (TTL)
Switching threshold "1" signal voltage	2 V (TTL)

Solid-state relay module - EMG 17-OV-TTL/ 24DC/2 - 2943259

Technical data

Input data

Typical input current at U_N	2.6 mA
Typical response time	170 μ s
Typical turn-off time	190 μ s
Status display	Yellow LED
Type of protection	Reverse polarity protection
	Surge protection
	Free running
Protective circuit/component	Polarity protection diode
	Suppressor diode
	Damping diode
Auxiliary voltage TTL input	5 V DC \pm 20 %
Auxiliary current TTL input	2.8 mA
Transmission frequency	1000 Hz

Output data

Output voltage range	10 V DC ... 30 V DC
Limiting continuous current	2 A (see derating curve)
Leakage current	150 μ A
Peak offstate voltage	33 V DC (Collector-emitter reverse voltage)
Current limitation at short-circuits	> 2 A (short-circuit-proof)
Voltage drop at max. limiting continuous current	\leq 0.3 V
Output circuit	3-conductor, ground-referenced
Indication	Red LED
Type of protection	Reverse polarity protection
	Free-wheeling diode
	Surge protection
Protective circuit/component	Polarity protection diode
	Damping diode
	Suppressor diode

General

Test voltage input/output	2.5 kV
	2.5 kV AC
Mounting position	any
Assembly instructions	In rows with zero spacing
Operating mode	100% operating factor
Flammability rating according to UL 94	V0

Connection data

Connection name	Input side
Connection method	Screw connection
Stripping length	8 mm

Solid-state relay module - EMG 17-OV-TTL/ 24DC/2 - 2943259

Technical data

Connection data

Screw thread	M3
Conductor cross section solid	0.2 mm ² ... 4 mm ²
Conductor cross section flexible	0.2 mm ² ... 2.5 mm ²
Conductor cross section AWG	24 ... 12

Connection data 2

Connection name	Output side
Connection method	Screw connection
Stripping length	8 mm
Screw thread	M3
Conductor cross section solid	0.2 mm ² ... 4 mm ²
Conductor cross section flexible	0.2 mm ² ... 2.5 mm ²
Conductor cross section AWG	24 ... 12

Standards and Regulations

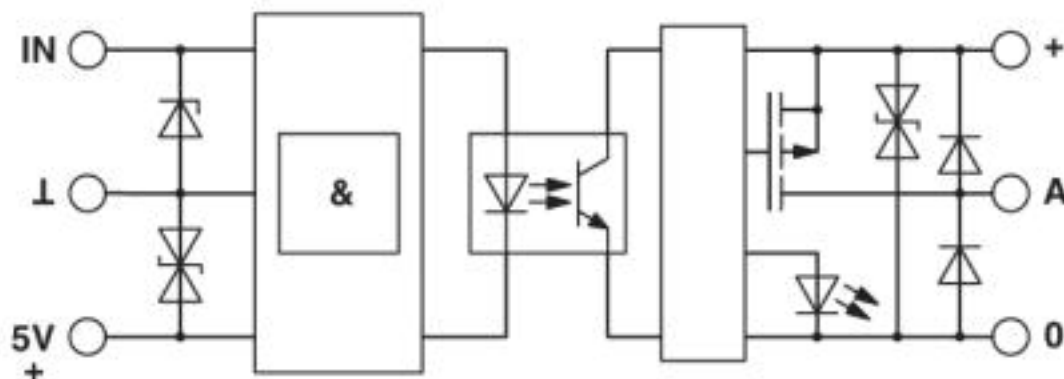
Standards/regulations	IEC 60664
	EN 50178
Insulation	Basic insulation
Pollution degree	2
Overvoltage category	III

Environmental Product Compliance

REACH SVHC	Lead 7439-92-1
China RoHS	Environmentally Friendly Use Period = 50 years
	For details about hazardous substances go to tab "Downloads", Category "Manufacturer's declaration"

Drawings

Circuit diagram



Solid-state relay module - EMG 17-OV-TTL/ 24DC/2 - 2943259

Classifications

eCl@ss

eCl@ss 4.0	27371100
eCl@ss 4.1	27371100
eCl@ss 5.0	27371000
eCl@ss 5.1	27371000
eCl@ss 6.0	27371600
eCl@ss 7.0	27371604
eCl@ss 8.0	27371604
eCl@ss 9.0	27371604

ETIM

ETIM 2.0	EC001504
ETIM 3.0	EC001504
ETIM 4.0	EC001504
ETIM 5.0	EC001504
ETIM 6.0	EC001504
ETIM 7.0	EC001504

UNSPSC

UNSPSC 6.01	30211916
UNSPSC 7.0901	39121542
UNSPSC 11	39121542
UNSPSC 12.01	39121542
UNSPSC 13.2	39122326
UNSPSC 18.0	39122326
UNSPSC 19.0	39122326
UNSPSC 20.0	39122326
UNSPSC 21.0	39122326

Approvals

Approvals

Approvals

EAC

Ex Approvals

Approval details

Solid-state relay module - EMG 17-OV-TTL/ 24DC/2 - 2943259

Approvals

EAC



TR_TS_D_00573_c

Phoenix Contact 2020 © - all rights reserved
<http://www.phoenixcontact.com>

PHOENIX CONTACT GmbH & Co. KG
Flachsmarktstr. 8
32825 Blomberg
Germany
Tel. +49 5235 300
Fax +49 5235 3 41200
<http://www.phoenixcontact.com>