

## I/O extension module - RAD-AI4-IFS - 2901537

Please be informed that the data shown in this PDF Document is generated from our Online Catalog. Please find the complete data in the user's documentation. Our General Terms of Use for Downloads are valid (<http://phoenixcontact.com/download>)




Radioline - I/O extension module, 4 analog current inputs (0/4 mA ... 20 mA)

### Your advantages

- Channel-to-channel electrical isolation
- Extended temperature range, -40 °C ... +70 °C
- Easy module replacement even during operation (hot swap)
- Easy startup via thumbwheel
- Approved for use in zone 2



### Key Commercial Data

Packing unit	1 pc
GTIN	 4 046356 610476
GTIN	4046356610476

### Technical data

#### Note

Utilization restriction	EMC: class A product, see manufacturer's declaration in the download area
-------------------------	---

#### Dimensions

Width	17.5 mm
Height	113 mm
Depth	114.5 mm

#### Ambient conditions

Degree of protection	IP20
Ambient temperature (operation)	-40 °C ... 70 °C (>55°C derating)
	-40 °F ... 158 °F (>131°F derating)
Ambient temperature (storage/transport)	-40 °C ... 85 °C

# I/O extension module - RAD-AI4-IFS - 2901537

## Technical data

### Ambient conditions

	-40 °F ... 185 °F
Permissible humidity (operation)	20 % ... 85 %
Permissible humidity (storage/transport)	20 % ... 85 %
Altitude	2000 m
Vibration (operation)	in accordance with IEC 60068-2-6: 5g, 10 Hz ... 150 Hz
Shock	16g, 11 ms

### General

Set consists of	2709561 ME 17,5 TBUS 1,5/ 5-ST-3,81 GN
Overvoltage category	II
Mounting position	any
Assembly instructions	on standard DIN rail NS 35 in accordance with EN 60715
Degree of pollution	2
Housing material	PA 6.6-FR
Flammability rating according to UL 94	V0
MTTF	771 Years (Telcordia standard, 25°C temperature, 21% operating cycle (5 days a week, 8 hours a day))
	351 Years (Telcordia standard, 40°C temperature, 34.25% operating cycle (5 days a week, 12 hours a day))
	136 Years (Telcordia standard, temperature 40 °C, operating cycle 100 % (7 days a week, 24 hours a day))

### Supply

Supply voltage range	19.2 V DC ... 30.5 V DC (DIN rail connector)
Max. current consumption	≤ 120 mA (At 24 V DC, at 25°C)
Transient surge protection	Yes

### Analog inputs

Number of inputs	4
Current input signal	0 mA ... 20 mA (can be set via DIP switches)
	4 mA ... 20 mA (can be set via DIP switches)
Max. current input signal	22 mA
Input resistance current input	< 70 Ω
Precision	≤ 0.02 % (at 25 °C)
Temperature coefficient, typical	0.0025 %/K (at -40 °C ... +70 °C)
Supply voltage	≥ 12 V DC (For passive sensors (via terminal PWR1, +11))
Resolution	16 bit
Protective circuit	Short-circuit and overload protection

### Electrical isolation

Analog I/O	50 V (Rated insulation voltage (in each case between the TBUS analog outputs / supply, reinforced insulation according to EN 61010))
------------	--

### Test voltage

Analog I/O	1.5 kV AC (50 Hz, 1 min.)
------------	---------------------------

# I/O extension module - RAD-AI4-IFS - 2901537

## Technical data

### Connection data

Connection method	Screw connection
Conductor cross section solid min.	0.2 mm <sup>2</sup>
Conductor cross section solid max.	2.5 mm <sup>2</sup>
Conductor cross section flexible min.	0.2 mm <sup>2</sup>
Conductor cross section flexible max.	2.5 mm <sup>2</sup>
Conductor cross section AWG min.	24
Conductor cross section AWG max.	14
Stripping length	7 mm
Tightening torque	0.6 Nm
Screw thread	M3

### Status indicator

Status display	Green LED (supply voltage, PWR)
	Green LED (bus communication, DAT)
	Red LED (periphery error, ERR)

### Conformance/approvals

Designation	CE
Identification	CE-compliant
Designation	EAC
Identification	EAC
Designation	ATEX
Identification	# II 3 G Ex nA IIC T4 Gc
Certificate	IBExU 15 ATEX B008 X
Additional text	Please follow the special installation instructions in the documentation!
Designation	IECEX
Identification	Ex nA IIC T4 Gc
Certificate	IECEX IBE 13.0019X
Designation	UL, USA/Canada
Identification	508 Listed
	Class I, Div. 2, Groups A, B, C, D T4A
	Class I, Zone 2, IIC T4
Designation	Corrosive gas test
Identification	ISA-S71.04-1985 G3 Harsh Group A

### Standards and Regulations

Electromagnetic compatibility	Conformance with EMC Directive 2014/30/EU
Standards/specifications	EMC Directive 2014/30/EU EN 61000-6-2
	EMC Directive 2014/30/EU EN 61000-6-4
	Ex Directive (ATEX) EN 60079-0
	Ex Directive (ATEX) EN-60079-15
Noise emission	EN 61000-6-4

## I/O extension module - RAD-AI4-IFS - 2901537

### Technical data

#### Standards and Regulations

Noise immunity	EN 61000-6-2
Flammability rating according to UL 94	V0
Shock	16g, 11 ms
Vibration (operation)	in accordance with IEC 60068-2-6: 5g, 10 Hz ... 150 Hz

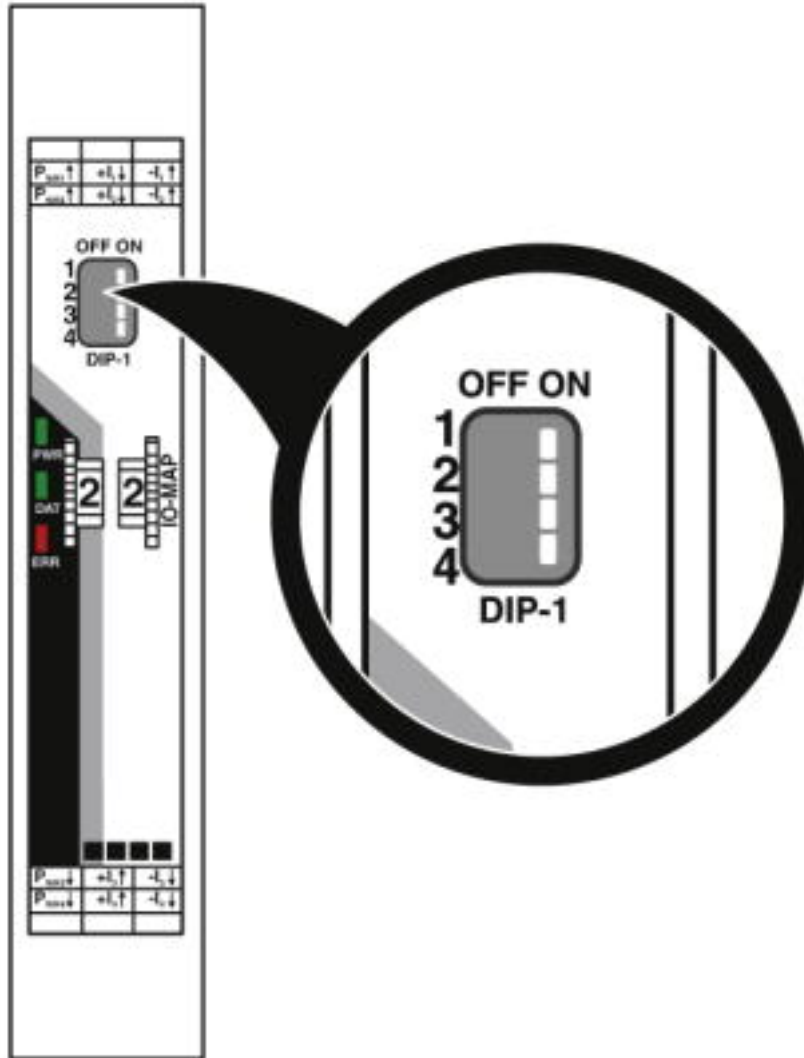
#### Environmental Product Compliance

REACH SVHC	Lead 7439-92-1
China RoHS	Environmentally Friendly Use Period = 50 years
	For details about hazardous substances go to tab "Downloads", Category "Manufacturer's declaration"

### Drawings

# I/O extension module - RAD-AI4-IFS - 2901537

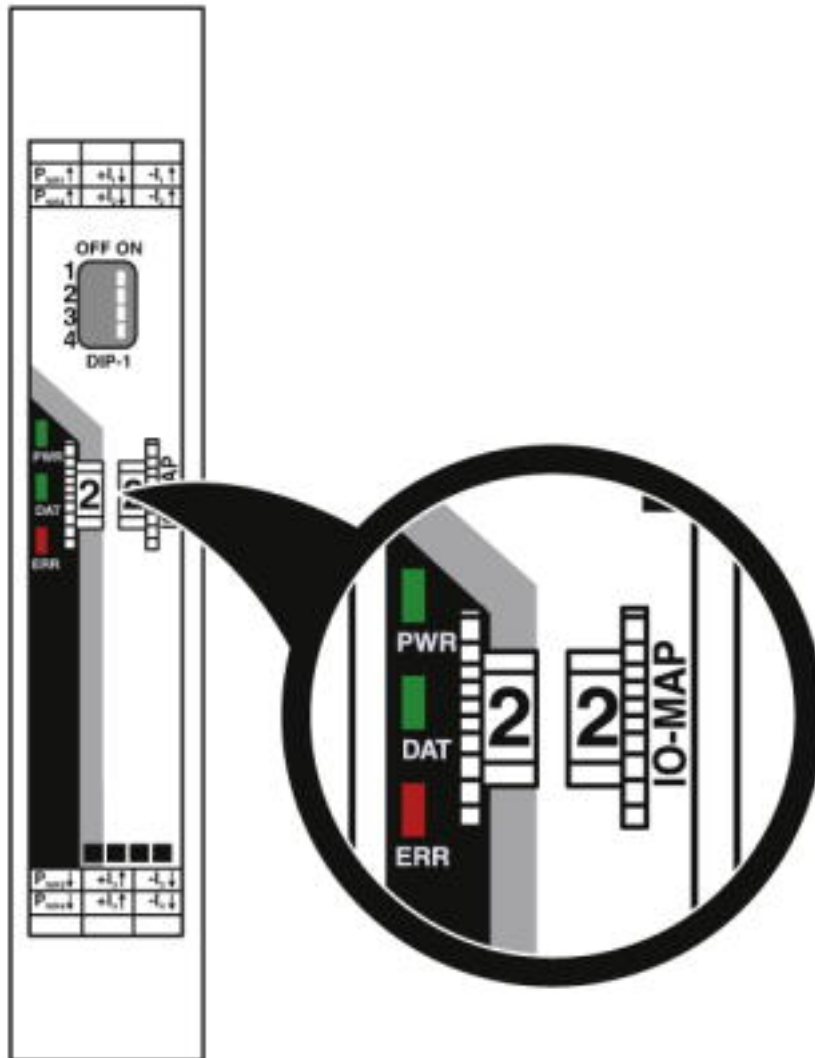
Schematic diagram



DIP switches

# I/O extension module - RAD-AI4-IFS - 2901537

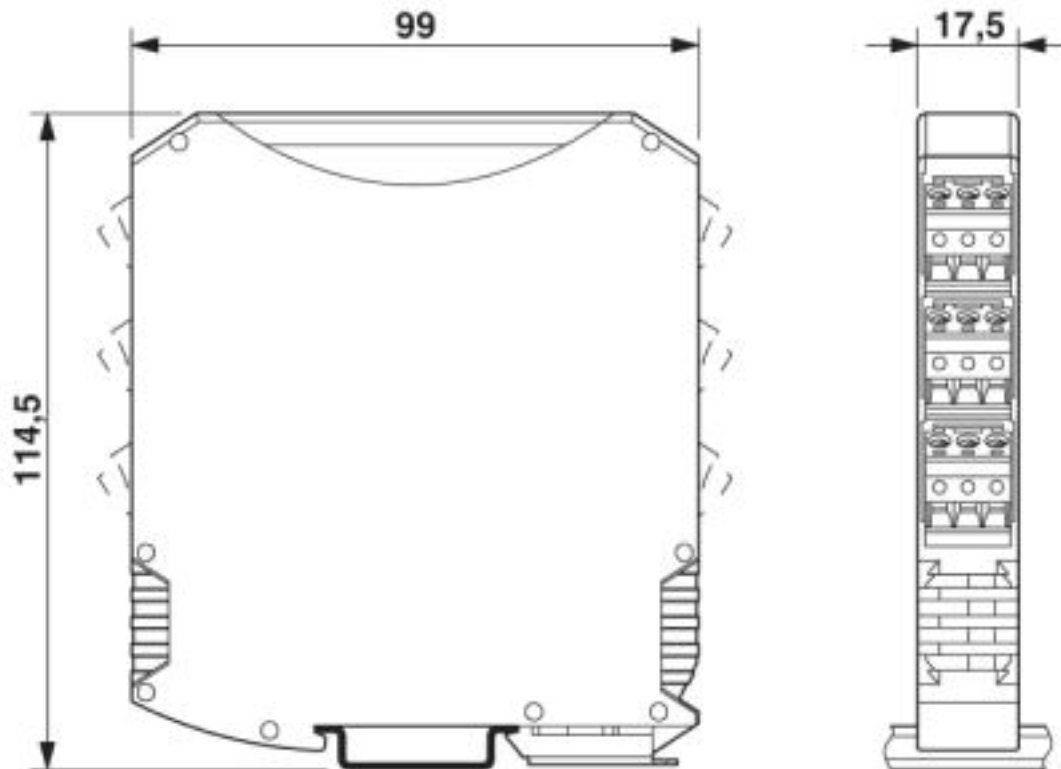
Schematic diagram



Thumb wheel

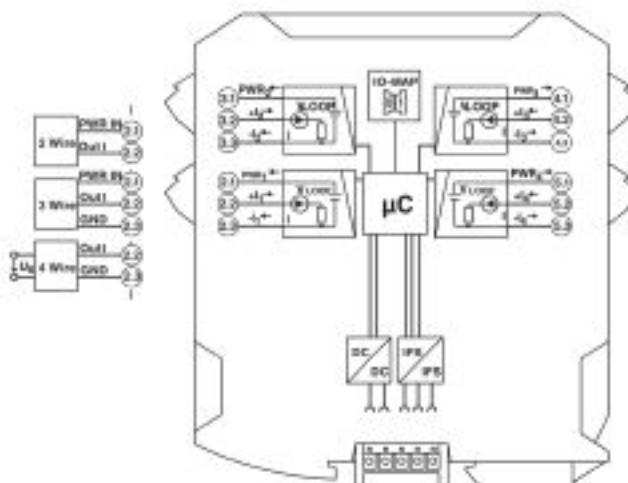
# I/O extension module - RAD-AI4-IFS - 2901537

Dimensional drawing



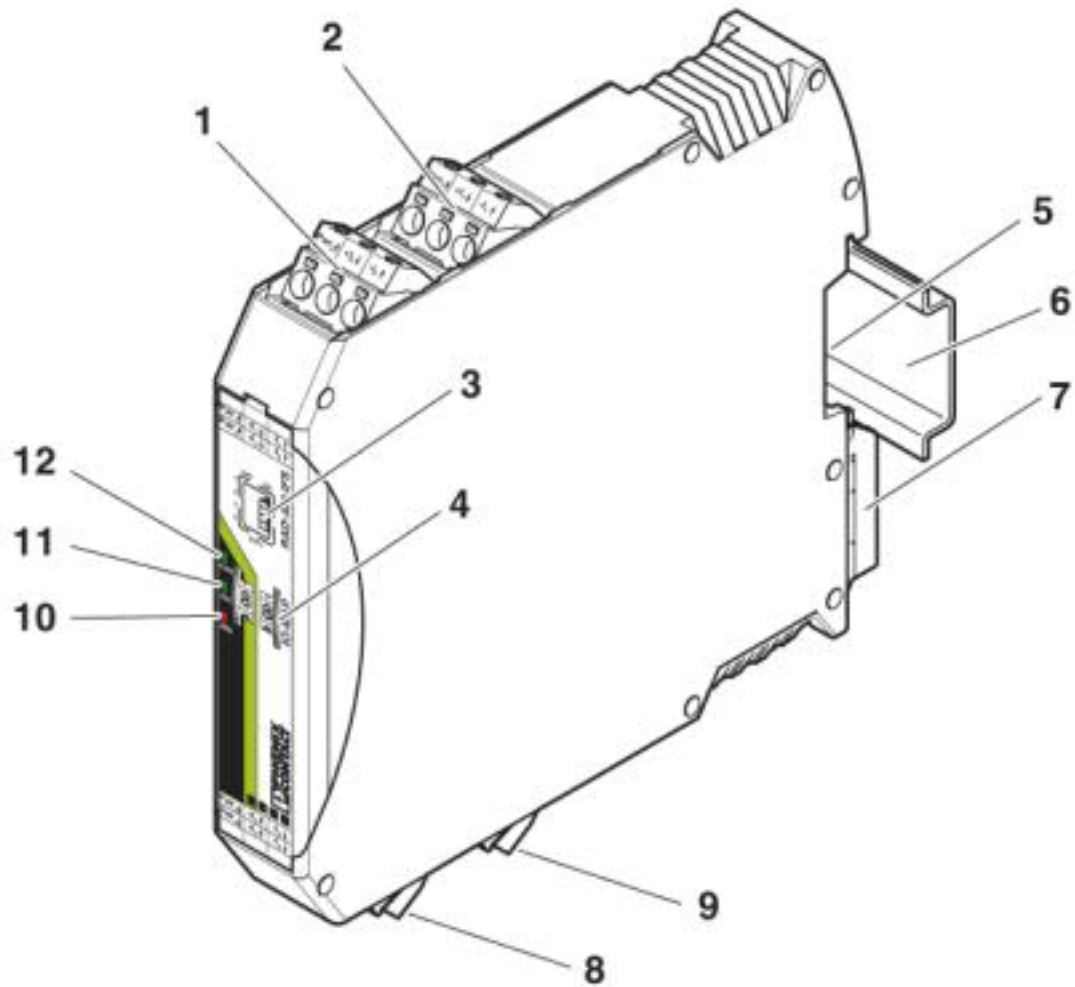
Slim design

Circuit diagram



# I/O extension module - RAD-AI4-IFS - 2901537

Schematic diagram

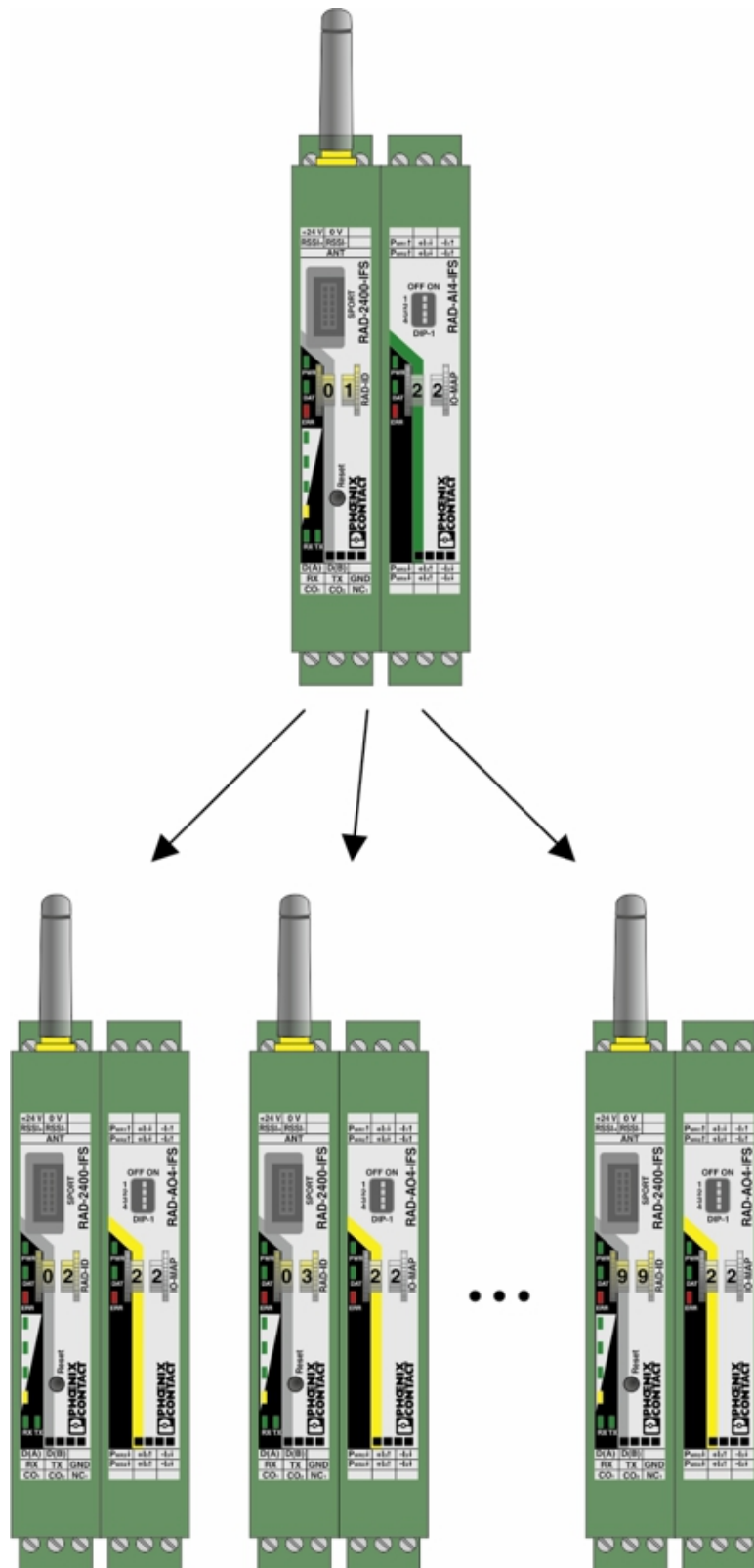


Function elements



# I/O extension module - RAD-AI4-IFS - 2901537

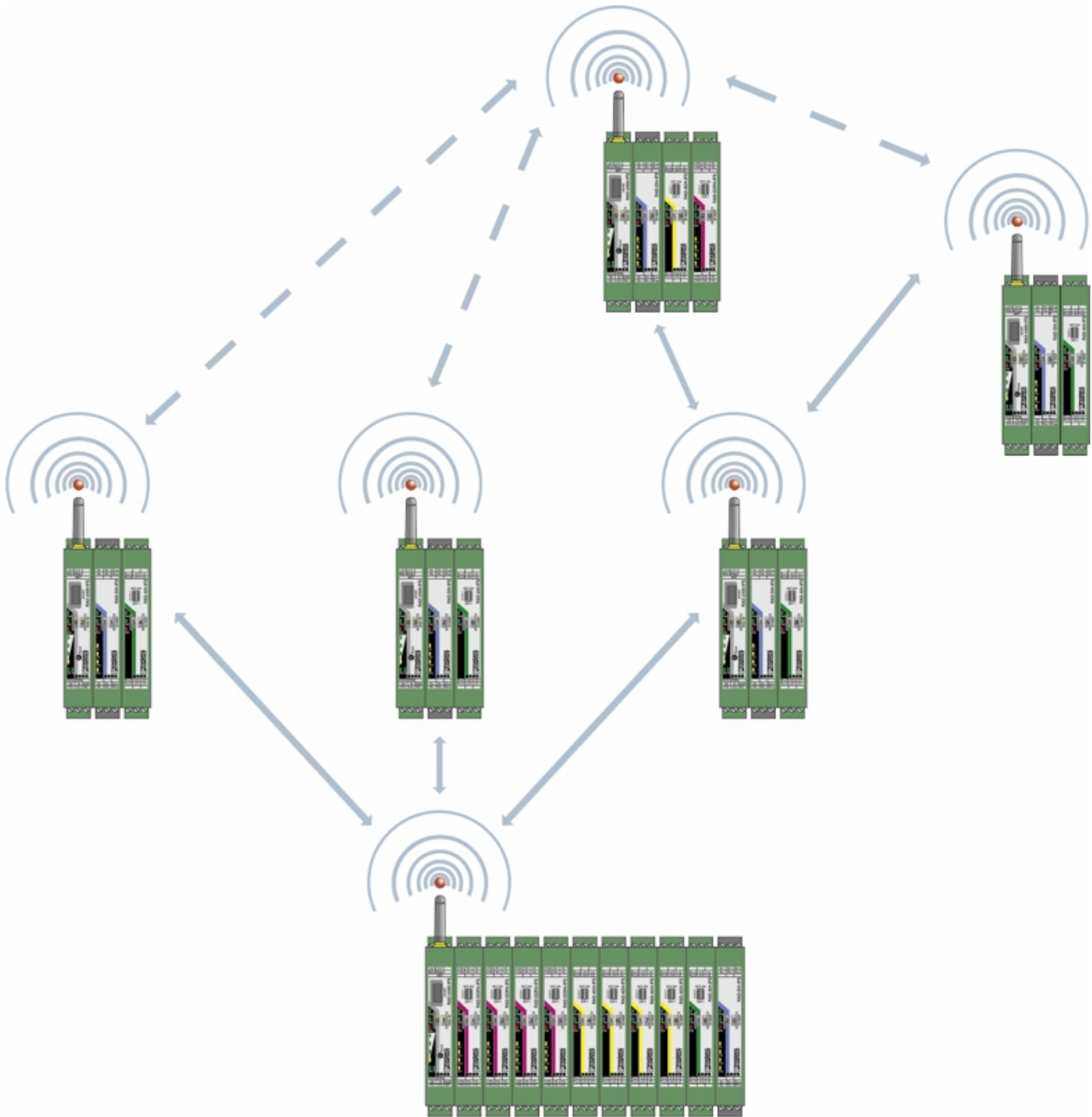
Functional drawing



Assignment of analog inputs and analog outputs

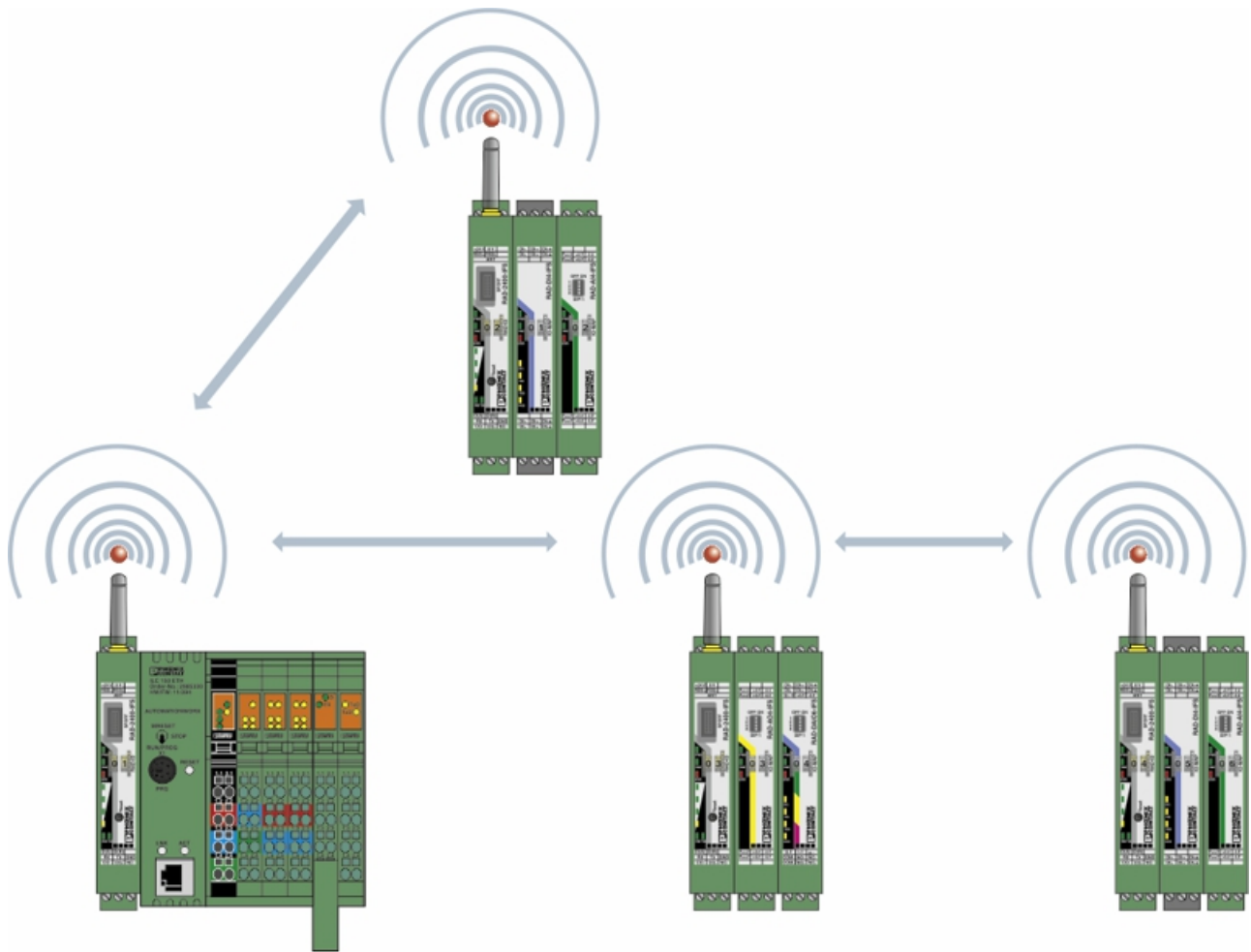
# I/O extension module - RAD-AI4-IFS - 2901537

Application drawing



# I/O extension module - RAD-AI4-IFS - 2901537

Application drawing



# I/O extension module - RAD-AI4-IFS - 2901537

## Articles in set

DIN rail bus connectors - ME 17,5 TBUS 1,5/ 5-ST-3,81 GN - 2709561



DIN rail connector for DIN rail mounting. Universal for TBUS housing. Gold-plated contacts, 5-pos.

---

## Classifications

### eCl@ss

eCl@ss 4.0	27230200
eCl@ss 4.1	27230200
eCl@ss 5.0	27242200
eCl@ss 5.1	27242200
eCl@ss 6.0	27242600
eCl@ss 7.0	27242601
eCl@ss 8.0	27242601
eCl@ss 9.0	27242601

### ETIM

ETIM 3.0	EC001423
ETIM 4.0	EC000310
ETIM 5.0	EC001596
ETIM 6.0	EC001596
ETIM 7.0	EC001596

### UNSPSC

UNSPSC 6.01	30211506
UNSPSC 7.0901	43223108
UNSPSC 11	39121008
UNSPSC 12.01	43223108
UNSPSC 13.2	32151602
UNSPSC 18.0	32151602
UNSPSC 19.0	32151602
UNSPSC 20.0	32151602
UNSPSC 21.0	32151602

## Approvals

### Approvals

---

# I/O extension module - RAD-AI4-IFS - 2901537

## Approvals

### Approvals

UL Listed / cUL Listed / EAC / cULus Listed

---

### Ex Approvals

IECEX / ATEX / UL Listed / cUL Listed / cULus Listed

---

## Approval details

UL Listed		<a href="http://database.ul.com/cgi-bin/XYV/template/LISEXT/1FRAME/index.htm">http://database.ul.com/cgi-bin/XYV/template/LISEXT/1FRAME/index.htm</a>	FILE E 238705
-----------	--	---	---------------

cUL Listed		<a href="http://database.ul.com/cgi-bin/XYV/template/LISEXT/1FRAME/index.htm">http://database.ul.com/cgi-bin/XYV/template/LISEXT/1FRAME/index.htm</a>	FILE E 238705
------------	--	---	---------------

EAC			EAC-Zulassung
-----	--	--	---------------

cULus Listed			
--------------	--	--	--

## Accessories

### Accessories

#### DIN rail connector

DIN rail bus connectors - ME 17,5 TBUS 1,5/ 5-ST-3,81 GN - 2709561



DIN rail connector for DIN rail mounting. Universal for TBUS housing. Gold-plated contacts, 5-pos.

---

## Extension module

## I/O extension module - RAD-AI4-IFS - 2901537

### Accessories

I/O extension module - RAD-AO4-IFS - 2901538



Radioline - I/O extension module, 4 analog current or voltage outputs (0/4 mA ... 20 mA, 0 V ... 10 V)

---

### Interface converter

Multiplexer - FB-MUX/HS/AI/PA - 1005331



The FB-MUX/HS/AI/PA head station can be used with up to five 4-channel analog input modules (RAD-AI4-IFS), five 4-channel PT100 temperature sensing modules (PT100-4-IFS), or any combination of modules for a maximum of 20 channels. This configuration can be used as an analog input and temperature control solution.

---

### Signal conditioner

Signal conditioner - MINI MCR-SL-UI-UI-NC - 2864150



3-way isolating amplifier for the electrical isolation of analog signals, I/O can be configured via DIP switches, with screw connection, standard configuration

---

### Necessary add-on products

Wireless module - RAD-2400-IFS - 2901541



Radioline - 2.4 GHz wireless transceiver with RS-232/RS-485 interface, can be extended with I/O modules, RSMA (female) antenna connection, point-to-point, star, and mesh networks up to 250 stations, range of up to 5 km (with a clear line of sight), for worldwide use

---

Wireless module - RAD-900-IFS - 2901540



Radioline - 900 MHz wireless transceiver with RS-232/485 interface, can be extended with I/O modules, RSMA (female) antenna connection, point-to-point, star, and mesh networks up to 250 stations, range of up to 32 km (line of sight), use in North America

---

## I/O extension module - RAD-AI4-IFS - 2901537

### Accessories

#### Wireless module - RAD-868-IFS - 2904909



Radioline - 868 MHz wireless transceiver with RS-232/RS-485 interface, can be extended with I/O modules, RSMA (female) antenna connection, point-to-point, star, and mesh networks up to 99 stations, range of up to 20 km (with a clear line of sight), for use in Europe

---

#### Communication module - RAD-RS485-IFS - 2702184



Radioline - RS-485 multipoint multiplexer, can be extended with I/O modules, can be used as Modbus/RTU bus coupler or can be combined with Radioline wireless system, up to 99 stations, range of up to 1.2 km on in-house copper cables

---

#### Wireless module - RAD-2400-IFS-JP - 2702863



Radioline - 2.4 GHz wireless transceiver with RS-232/RS-485 interface, can be extended with I/O modules, RSMA (female) antenna connection, point-to-point, star, and mesh networks up to 250 stations, range of up to 5 km (with a clear line of sight), for use in Japan

---

#### Wireless module - RAD-900-IFS-AU - 2702878



Radioline - 900 MHz wireless transceiver with RS-232/485 interface, can be extended with I/O modules, RSMA (female) antenna connection, point-to-point, star, and mesh networks up to 250 stations, range of up to 32 km (line of sight), for use in Australia.

---

### Additional products

#### I/O extension module - RAD-AO4-IFS - 2901538



Radioline - I/O extension module, 4 analog current or voltage outputs (0/4 mA ... 20 mA, 0 V ... 10 V)

---

---

Phoenix Contact 2020 © - all rights reserved  
<http://www.phoenixcontact.com>

PHOENIX CONTACT GmbH & Co. KG  
Flachsmarktstr. 8  
32825 Blomberg  
Germany  
Tel. +49 5235 300  
Fax +49 5235 3 41200  
<http://www.phoenixcontact.com>