

## D-SUB bus connector - SUBCON 9/M-SH - 2761509

Please be informed that the data shown in this PDF Document is generated from our Online Catalog. Please find the complete data in the user's documentation. Our General Terms of Use for Downloads are valid (<http://phoenixcontact.com/download>)



D-SUB connector, 9-pos., male connector, one cable entry < 35°, universal type for all systems, pin assignment: 1, 2, 3, 4, 5, 6, 7, 8, 9 to screw connection terminal block

### Product Features

- ✓ Easy assembly thanks to knurled screws
- ✓ For universal use
- ✓ Flexibility in terms of cable entry selection
- ✓ Assembly under field conditions
- ✓ High level of EMC



**RS-485** **Modbus** **RS-232** **RS-422**

### Key commercial data

Packing unit	1 pc
GTIN	 4 017918 064747
Weight per Piece (excluding packing)	45.0 GRM
Custom tariff number	85366990
Country of origin	Germany

### Technical data

#### Dimensions

Max. cable diameter	10 mm
Min. cable diameter	4 mm
Width	16 mm
Height	55 mm
Length	56.4 mm

#### Ambient conditions

Ambient temperature (operation)	-20 °C ... 75 °C
---------------------------------	------------------

## D-SUB bus connector - SUBCON 9/M-SH - 2761509

### Technical data

#### Ambient conditions

Ambient temperature (storage/transport)	-25 °C ... 80 °C
Altitude	5000 m (For restrictions see manufacturer's declaration)

#### General

Nominal voltage $U_N$	50 V
Nominal current $I_N$	100 mA
Signal	Modbus
	RS-232
	RS-422
	RS-485
Insertion/withdrawal cycles	> 200
SUBCON fixing screws	4-40 UNC
Tightening torque	0.4 Nm
Housing material	ABS, metal-plated
Pin assignment	All connections are 1:1 on the screw terminal block

#### Connection data

Connection	D-SUB connection
Number of positions	9
Connection method	D-SUB connector
Connection	PCB connection
Connection method	Screw connection
Conductor cross section stranded min.	0.14 mm <sup>2</sup>
Conductor cross section stranded max.	1 mm <sup>2</sup>
Conductor cross section solid min.	0.14 mm <sup>2</sup>
Conductor cross section solid max.	1.5 mm <sup>2</sup>
Min. AWG conductor cross section, stranded	26
Max. AWG conductor cross section, stranded	18
Conductor cross section AWG/kcmil min.	26
Conductor cross section AWG/kcmil max	16
Stripping length	5 mm
Tightening torque	0.4 Nm

### Classifications

#### eCl@ss

eCl@ss 4.0	27140816
eCl@ss 4.1	27140816

## D-SUB bus connector - SUBCON 9/M-SH - 2761509

### Classifications

#### eCl@ss

eCl@ss 5.0	27143424
eCl@ss 5.1	27143424
eCl@ss 6.0	27143424
eCl@ss 7.0	27440209
eCl@ss 8.0	27440302

#### ETIM

ETIM 2.0	EC001132
ETIM 3.0	EC001132
ETIM 4.0	EC001132
ETIM 5.0	EC001132

#### UNSPSC

UNSPSC 6.01	30211802
UNSPSC 7.0901	39121402
UNSPSC 11	39121402
UNSPSC 12.01	39121402
UNSPSC 13.2	39121402

### Approvals

#### Approvals

---

#### Approvals

UL Recognized / cUL Recognized / GOST / CSA / cULus Recognized

---


#### Ex Approvals

---

#### Approvals submitted

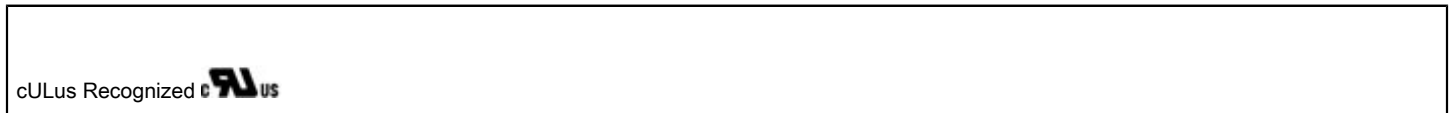
---

#### Approval details

UL Recognized 
---------------------------------------------------------------------------------------------------

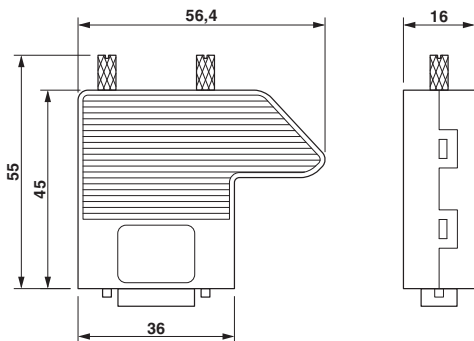
# D-SUB bus connector - SUBCON 9/M-SH - 2761509

## Approvals

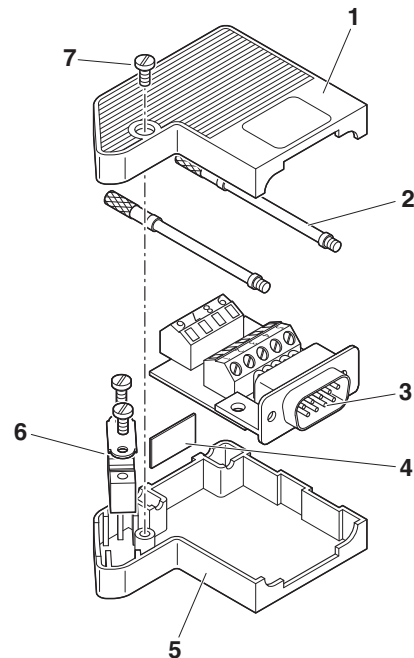


## Drawings

Dimensioned drawing



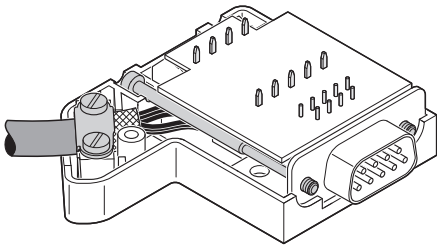
Schematic diagram



Exploded drawing

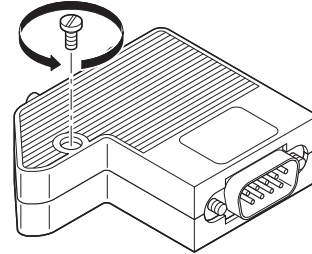
## D-SUB bus connector - SUBCON 9/M-SH - 2761509

Schematic diagram



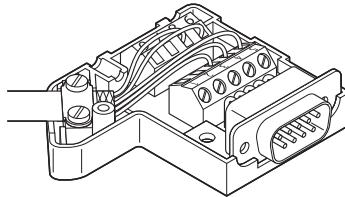
Right-hand side cable entry

Schematic diagram



Opening the housing

Schematic diagram



Left-hand side cable entry