

D-SUB bus connector - SUBCON-PLUS-PROFIB/AX/SC - 2744380

Please be informed that the data shown in this PDF Document is generated from our Online Catalog. Please find the complete data in the user's documentation. Our General Terms of Use for Downloads are valid (<http://phoenixcontact.com/download>)



D-SUB connector, 9-pos., male connector, axial version with two cable entries, bus system: PROFIBUS DP up to 12 Mbps, termination resistor can be switched on via slide switch, pin assignment: 3, 5, 6, 8; screw connection terminal blocks



Key commercial data

| | |
|--------------------------------------|----------|
| Packing unit | 1 pc |
| Weight per Piece (excluding packing) | 40.0 GRM |
| Custom tariff number | 85366990 |
| Country of origin | Germany |

Technical data

Dimensions

| | |
|---------------------|---------|
| Max. cable diameter | 8.4 mm |
| Min. cable diameter | 7.6 mm |
| Width | 17 mm |
| Height | 31.5 mm |
| Length | 58.2 mm |

Ambient conditions

| | |
|---|--|
| Ambient temperature (operation) | -20 °C ... 75 °C |
| Ambient temperature (storage/transport) | -25 °C ... 80 °C |
| Altitude | 5000 m (For restrictions see manufacturer's declaration) |

General

| | |
|-----------------------------|-------------|
| Nominal voltage U_N | 50 V |
| Nominal current I_N | 100 mA |
| Bus system | PROFIBUS DP |
| Signal | PROFIBUS |
| Insertion/withdrawal cycles | > 200 |

D-SUB bus connector - SUBCON-PLUS-PROFIB/AX/SC - 2744380

Technical data

General

| | |
|----------------------|-------------------|
| SUBCON fixing screws | 4-40 UNC |
| Tightening torque | 0.4 Nm |
| Housing material | ABS, metal-plated |
| Pin assignment | 3, 5, 6, 8 |

Connection data

| | |
|--|-------------------------------------|
| Connection | D-SUB connection |
| Number of positions | 9 |
| Connection method | D-SUB connector |
| Termination resistor | 390 Ω |
| | 220 Ω |
| | 390 Ω (Can be connected externally) |
| Torque | 0.4 Nm |
| Connection | PCB connection |
| Connection method | Screw connection |
| Conductor cross section stranded min. | 0.14 mm ² |
| Conductor cross section stranded max. | 1 mm ² |
| Conductor cross section solid min. | 0.14 mm ² |
| Conductor cross section solid max. | 1.5 mm ² |
| Min. AWG conductor cross section, stranded | 26 |
| Max. AWG conductor cross section, stranded | 18 |
| Conductor cross section AWG/kcmil min. | 26 |
| Conductor cross section AWG/kcmil max | 16 |
| Stripping length | 5 mm |
| Torque | 0.4 Nm |

Classifications

eCl@ss

| | |
|------------|----------|
| eCl@ss 4.0 | 27140816 |
| eCl@ss 4.1 | 27140816 |
| eCl@ss 5.0 | 27143424 |
| eCl@ss 5.1 | 27143424 |
| eCl@ss 6.0 | 27143424 |
| eCl@ss 7.0 | 27440302 |
| eCl@ss 8.0 | 27440302 |

D-SUB bus connector - SUBCON-PLUS-PROFIB/AX/SC - 2744380

Classifications

ETIM

| | |
|----------|----------|
| ETIM 2.0 | EC001132 |
| ETIM 3.0 | EC001132 |
| ETIM 4.0 | EC001132 |
| ETIM 5.0 | EC001132 |

UNSPSC

| | |
|---------------|----------|
| UNSPSC 6.01 | 30211802 |
| UNSPSC 7.0901 | 39121402 |
| UNSPSC 11 | 39121402 |
| UNSPSC 12.01 | 39121402 |
| UNSPSC 13.2 | 39121402 |

Approvals

Approvals

Approvals

UL Recognized / cUL Recognized / GOST / CSA / cULus Recognized

Ex Approvals

Approvals submitted

Approval details

UL Recognized


cUL Recognized

GOST

D-SUB bus connector - SUBCON-PLUS-PROFIB/AX/SC - 2744380

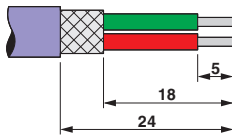
Approvals

CSA

cULus Recognized 

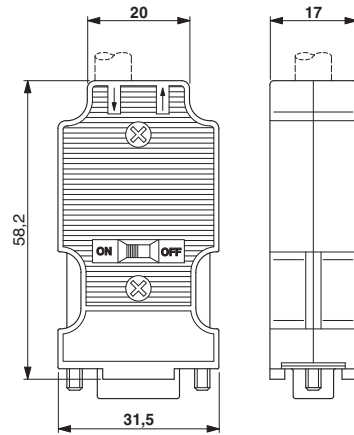
Drawings

Schematic diagram



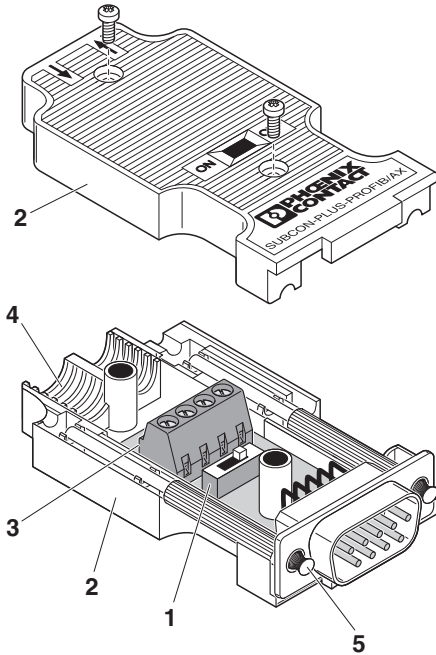
Stripping specifications

Dimensioned drawing

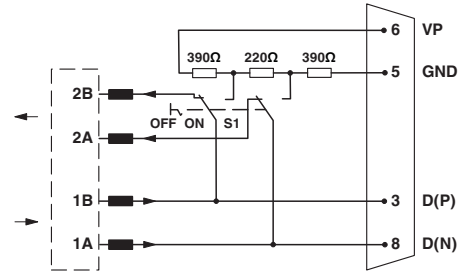


D-SUB bus connector - SUBCON-PLUS-PROFIB/AX/SC - 2744380

Schematic diagram



Circuit diagram



Functional diagram of the connector range
SUBCON-PLUS-PROFIB/...