

# Housing - HC-B 24-AMLD - 1771943

Please be informed that the data shown in this PDF Document is generated from our Online Catalog. Please find the complete data in the user's documentation. Our General Terms of Use for Downloads are valid (<http://phoenixcontact.com/download>)



HEAVYCON B24 panel mounting base, with single locking latch, height: 29 mm, with plastic cover, with flat gasket



## Key Commercial Data

Packing unit	10 pc
GTIN	
GTIN	4017918036621

## Technical data

### Dimensions

Height	29 mm
Width	43 mm
Length	140 mm
Length of the assembly cutout	113 mm
Width of the assembly cutout	35 mm

### Ambient conditions

Degree of protection of housing (IP)	IP65 (When plugged in)
	IP54 (with closed protective cover)
Ambient temperature (operation)	-40 °C ... 125 °C

### General

Note	For contact inserts HC-B24, BB46, BBB64, D64, DD108, M
Size	B24
Housing type	Panel mounting base
Locking type	with single locking latch
Torque	1.5 Nm ... 2 Nm (Mounting screw)
Screw connection	none
Protective cover	yes

# Housing - HC-B 24-AMLD - 1771943

## Technical data

### General

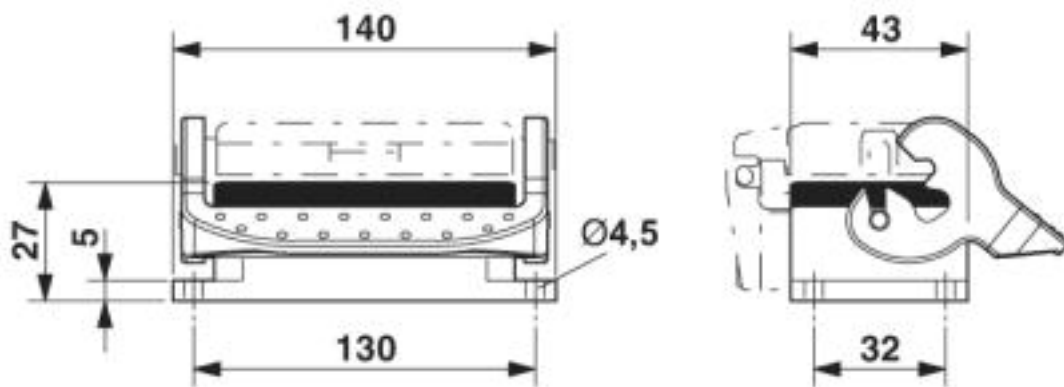
Housing material	Aluminum die-cast
Housing surface material	Powder-coated, gray
Material lock	Stainless steel, handle: PA
Material grip body interlock	PA
Material, protective cover	PA

### Environmental Product Compliance

China RoHS	Environmentally friendly use period: unlimited = EFUP-e
	No hazardous substances above threshold values

## Drawings

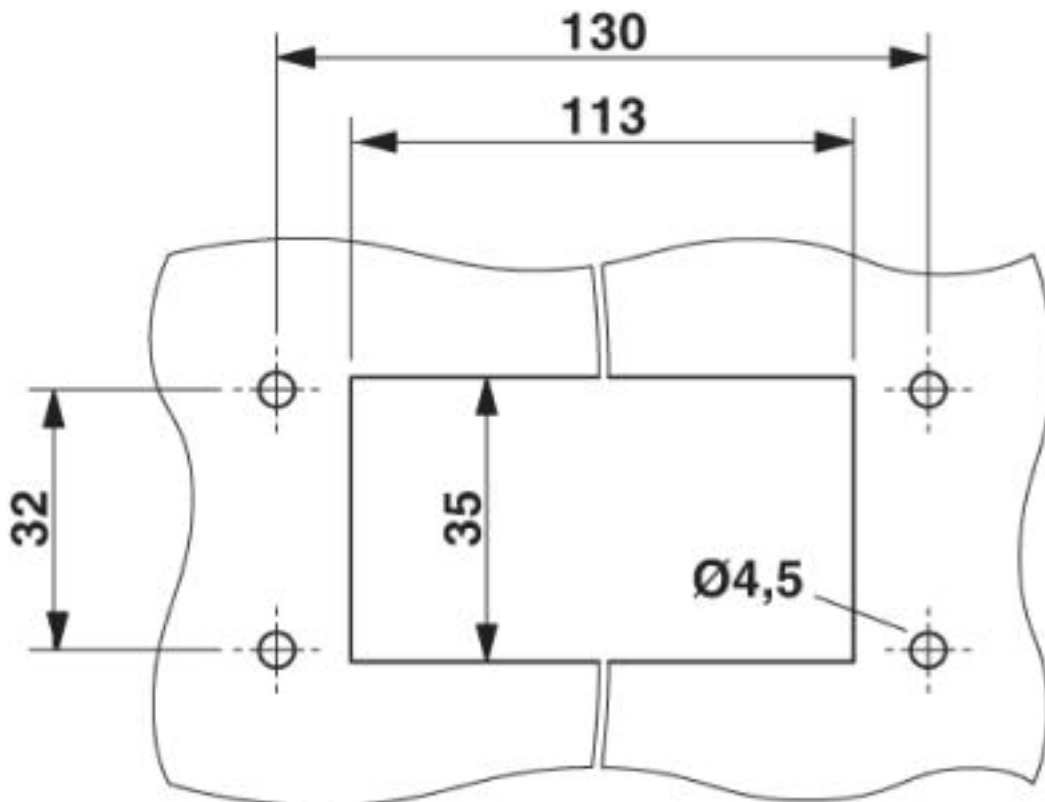
Dimensional drawing



Dimensional drawing

# Housing - HC-B 24-AMLD - 1771943

Dimensional drawing



Mounting cutout

## Classifications

eCl@ss

eCl@ss 10.0.1	27440202
eCl@ss 4.0	27140800
eCl@ss 4.1	27140800
eCl@ss 5.0	27143400
eCl@ss 5.1	27261200
eCl@ss 6.0	27261200
eCl@ss 7.0	27440202
eCl@ss 8.0	27440202
eCl@ss 9.0	27440202

ETIM

ETIM 2.0	EC000437
ETIM 3.0	EC000437
ETIM 4.0	EC000437
ETIM 5.0	EC000437

# Housing - HC-B 24-AMLD - 1771943

## Classifications

### ETIM

ETIM 6.0	EC000437
ETIM 7.0	EC000437

### UNSPSC

UNSPSC 6.01	31261502
UNSPSC 7.0901	31261502
UNSPSC 11	31261502
UNSPSC 12.01	31261502
UNSPSC 13.2	31261501
UNSPSC 18.0	31261501
UNSPSC 19.0	31261501
UNSPSC 20.0	31261501
UNSPSC 21.0	31261501

## Approvals

### Approvals

---

Approvals

EAC

---

Ex Approvals

---

### Approval details

EAC		RU C- DE.AI30.B.01102
-----	--	--------------------------

## Accessories

### Accessories

#### Housing latches

Housing brackets - HC-B 24-LB - 1584677



Replacement plastic single locking latch for standard housings of type B24

## Housing - HC-B 24-AMLD - 1771943

### Accessories

#### Mounting material

Bearing block - HC-B/D-ERSLABO-SD-KU - 1408070

Spare bearing block for series B/D housing with plastic protective cover; consisting of bearing block, plate and two screws



---

#### Seal

Profile gasket - HC-B 24-PR-DI - 1663048



Profile gasket for type B24 supporting base element

---

Flat gasket - HC-B 24-FL-DI - 1774665



Replacement flange seal, for HEAVYCON panel mounting base of type: B24, self-adhesive, not for HC-...EMC housings, color: Black

---

Seal - HC-B 24-FL-DI-N - 1411465



Replacement flange seal, for HEAVYCON type B24 panel mounting base, latching, for panel mounting base with snapped-on flat gaskets, not for HC-...EMV housing, color: black