

Screw plug - HC-BS-PG13 - 1674503


Please be informed that the data shown in this PDF Document is generated from our Online Catalog. Please find the complete data in the user's documentation. Our General Terms of Use for Downloads are valid (<http://phoenixcontact.com/download>)

Screw plug, material: Brass, nickel-plated, connecting thread: Pg13.5, color: silver



RoHS

Key Commercial Data

Packing unit	10 pc
GTIN	 4 017918 135409
GTIN	4017918135409

Technical data

Dimensions

Length	10 mm
Hexagon angular dimension	24 mm (Diameter (no corners))
Length of the connecting thread	6 mm

Ambient conditions

Degree of protection (IP)	IP68
Ambient temperature (operation)	-20 °C ... 80 °C

General

Material	Brass, nickel-plated
O-ring material	NBR
Thread type on connection side	Pg13.5
Color	silver

Standards and Regulations

Halogen-free	no
--------------	----

Environmental Product Compliance

REACH SVHC	Lead 7439-92-1
China RoHS	Environmentally Friendly Use Period = 50 years

Screw plug - HC-BS-PG13 - 1674503

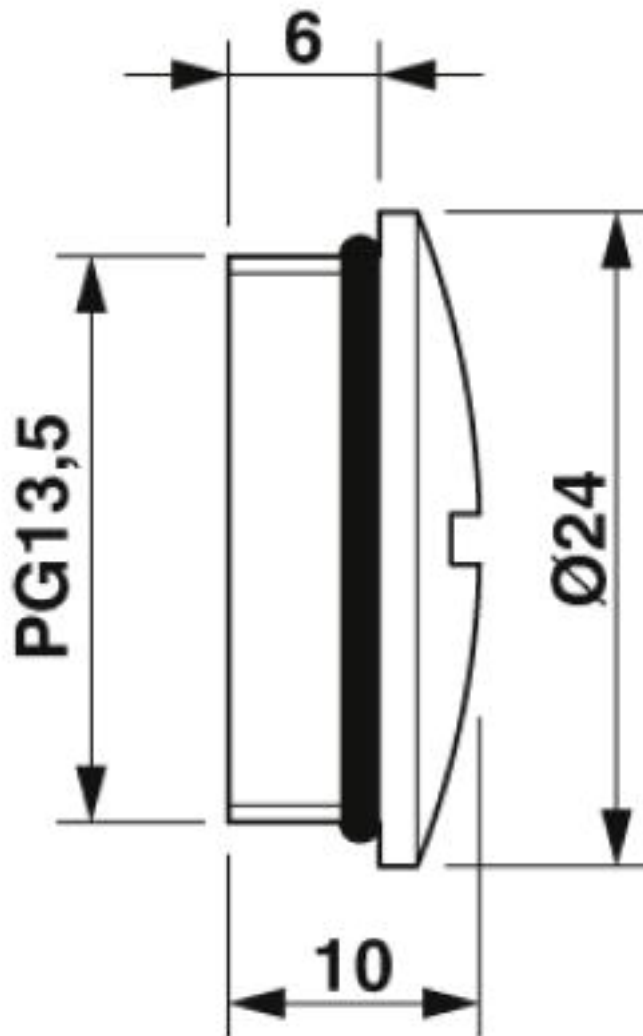
Technical data

Environmental Product Compliance

	For details about hazardous substances go to tab "Downloads", Category "Manufacturer's declaration"
--	-----------------------------------------------------------------------------------------------------

Drawings

Dimensional drawing



Dimensional drawing

Classifications

eCl@ss

eCl@ss 10.0.1	23111190
eCl@ss 4.0	23111100

Screw plug - HC-BS-PG13 - 1674503

Classifications

eCl@ss

eCl@ss 4.1	23111100
eCl@ss 5.0	23111100
eCl@ss 5.1	23111100
eCl@ss 6.0	23111100
eCl@ss 7.0	23111190
eCl@ss 8.0	23111190
eCl@ss 9.0	23111190

ETIM

ETIM 2.0	EC000437
ETIM 3.0	EC000437
ETIM 4.0	EC000032
ETIM 5.0	EC000723
ETIM 6.0	EC000032
ETIM 7.0	EC000032

UNSPSC

UNSPSC 6.01	30212113
UNSPSC 7.0901	39121712
UNSPSC 11	39121712
UNSPSC 12.01	39121712
UNSPSC 13.2	31161501
UNSPSC 18.0	31261502
UNSPSC 19.0	31261502
UNSPSC 20.0	31261502
UNSPSC 21.0	31261502

Approvals

Approvals

Approvals

EAC

Ex Approvals

Approval details

Screw plug - HC-BS-PG13 - 1674503

Approvals

EAC



RU C-
DE.AI30.B.01102

Phoenix Contact 2020 © - all rights reserved
<http://www.phoenixcontact.com>

PHOENIX CONTACT GmbH & Co. KG
Flachsmarktstr. 8
32825 Blomberg
Germany
Tel. +49 5235 300
Fax +49 5235 3 41200
<http://www.phoenixcontact.com>