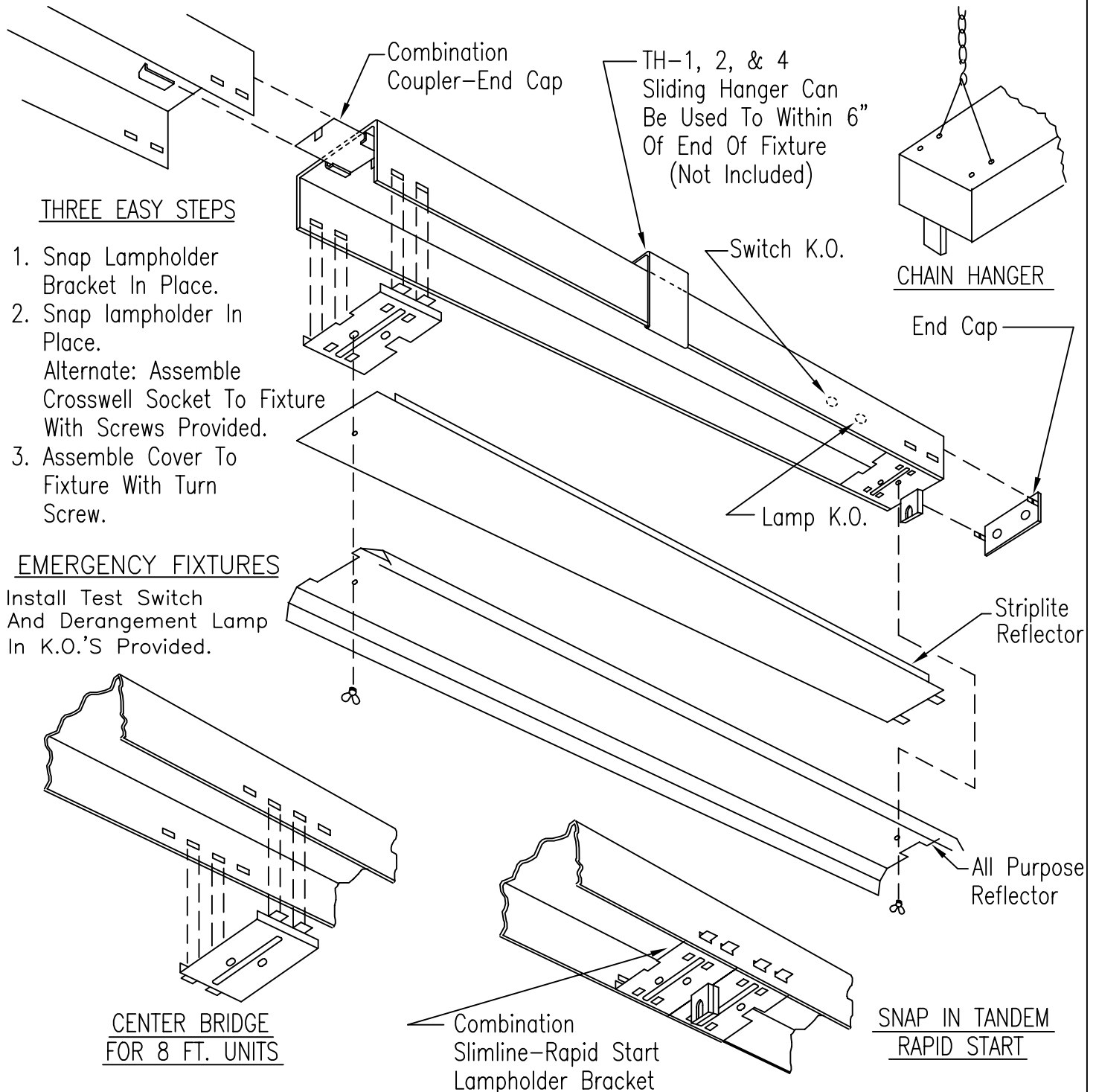


SUBJECT:
STRIP LIGHT
AND ALL PURPOSE INDUSTRIAL

GENIE THOMAS INSTRUCTION SHEET

WARNING: ELECTRICAL SHOCK POTENTIAL !! DO NOT ATTEMPT TO INSTALL, MAINTAIN OR RELAMP WITHOUT DISCONNECTING ALL POWER. FAILURE TO DISCONNECT POWER CAN RESULT IN ELECTROCUTION, SHOCK OR SEVERE BURNS.

CAUTION: This fixture is designed for permanent installation in ordinary (Non-Hazardous) locations in accordance with the National Electrical Code and all applicable local codes. Do not use in areas of limited ventilation or in high ambient enclosures. The lamp and fixture operate at high temperatures, contact with combustible materials can cause fire and personal contact can cause severe burns.



THREE EASY STEPS

1. Snap Lampholder Bracket In Place.
2. Snap lampholder In Place.
Alternate: Assemble Crosswell Socket To Fixture With Screws Provided.
3. Assemble Cover To Fixture With Turn Screw.

EMERGENCY FIXTURES

Install Test Switch And Derangement Lamp In K.O.'S Provided.

FRONT

JUNE 1999

7 87625-110

CAUTION: REFER TO WIRING DIAGRAM ON BALLAST FOR CORRECT INSTALLATION OF LAMP HOLDERS IN BRACKETS.