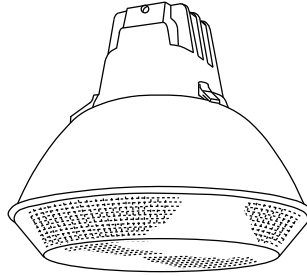


# PHILIPS Day-Brite CFI

Industrial

LBN low bay

150-400W MH or HPS  
150-450W PSMH



Project: \_\_\_\_\_  
 Location: \_\_\_\_\_  
 Cat.No: \_\_\_\_\_  
 Type: \_\_\_\_\_  
 Lamps: \_\_\_\_\_ Qty: \_\_\_\_\_  
 Notes: \_\_\_\_\_

The Philips Day-Brite / Philips CFI LBN low bay offers the high efficiency general purpose industrial lighting for mounting height requirements of 30' and below.

## Ordering guide

Example: LBN400PMT-PSC CRA

Ballast Assembly	Wattage	Lamp Source	Voltage	Options	Optical Assembly
<input type="text" value="LBN"/>	<input type="text"/>	<input type="text"/>	<input type="text"/> -	<input type="text"/>	<input type="text"/>
<b>LBN</b>	<b>150</b> 150 <b>175</b> 175 <sup>4</sup> <b>200</b> 200 <sup>31</sup> <b>250</b> 250 <b>320</b> 320 <sup>30</sup> <b>350</b> 350 <sup>30</sup> <b>400</b> 400 <b>450</b> 450 <sup>30</sup>	<b>M</b> Metal Halide <b>S</b> High Pressure Sodium <b>P</b> Pulse Start Metal Halide (PSC ballasts option must be specified to comply with EISA for 175W-450W)	<b>12</b> 120 <b>20</b> 208 <b>24</b> 240 <b>27</b> 277 <b>34</b> 347 <b>48</b> 480 <b>MT</b> 120/208 240/277 <b>TT</b> 120/277 347	<b>CUL</b> UL Listing to meet CSA standards <b>OR</b> Option required for metal halide and pulse start metal halide lamps (exclusionary "pink" socket) <b>PSC</b> Pulse Start CWA Ballast <b>Q</b> Quartz Standby <b>QEM</b> Quartz Emergency <sup>40</sup> <b>QTD</b> Quartz Time Delay <b>WDF</b> Wired Double Fuse <sup>45</sup> <b>WSF</b> Wired Single Fuse <sup>46</sup> <b>55</b> 55°C Ambient	<b>CRA</b> Acrylic Lens <b>CRP</b> Polycarbonate Lens

### Accessories (order separately)

- **CH** Cover Half for Power Hook (use with PB)
  - **PB** Power Box for Power Hook (use with CH)
  - **HMR** Suspension Hook Male
  - **LMR** Suspension Loop Male
  - **HP12-3** 3' Hook-Cord-Plug Assembly 120V
  - **HP25-3** 3' Hook-Cord-Plug Assembly 208-240V
  - **HP27-3** 3' Hook-Cord-Plug Assembly 277V
  - **HP48-3** 3' Hook-Cord-Plug Assembly 480V
  - **SCB3** Ballast Retainer Chain 3'
  - **SCOP** Optical Retainer Chain
  - **WGBRA/CRA** Wire Guard
- (Refer to Section 18000 for additional accessories.)

### Footnotes

- <sup>4</sup> Not available in High Pressure Sodium
- <sup>30</sup> Pulse Start Metal Halide Only.
- <sup>31</sup> Not available in standard Metal Halide.
- <sup>40</sup> Requires 120 volt secondary power supply.
- <sup>45</sup> Use with 208, 240, and 480 volt.
- <sup>46</sup> Use with 120, 277, and 347 volt.

### General Notes

- All accessories are field installed.
- Mogul base lamp only.
- All options factory installed.
- Ballast assembly and optical assembly to be ordered and shipped separately.
- Many luminaire components, such as reflectors, refractors, lenses, sockets, lampholders, and LEDs are made from various types of plastics which can be adversely affected by airborne contaminants. If sulfur based chemicals, petroleum based products, cleaning solutions, or other contaminants are expected in the intended area of use, consult factory for compatibility.
- **Warning:** Refer to and follow the lamp manufacturer's warnings and instructions.



Standard Metal Halide  
Between 175W and 400W  
Not available in USA



# LBN Low bay

150-400W MH or HPS, 150-450W PSMH

## Application

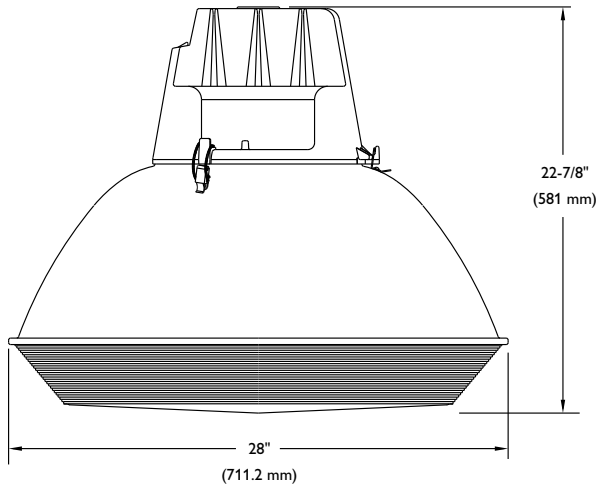
- The Philips Day-Brite / Philips CFI LBN Low Bay Luminaire offers the high efficiency general purpose industrial lighting for mounting height requirements of 30' and below.

## Construction/Finish

- UL 1598 Listed suitable for wet location and 40°C ambient for all lamp wattages listed.
- Use "O" rated, protected metal halide lamps only.
- 3/4" threaded cast aluminum nut and hub for easy, positive mounting.
- Heavy wall, one piece die cast aluminum housing with white polyester powder finish.
- Philips Day-Brite "Slant 2" ballast mounting for cooler operation. Ballast has high temperature class H insulation and a minimum starting temperature of -40°C (-40°F) for HPS and Pulse Start MH or -30°C (-20°F) for MH.

- Corrosion resistant stainless steel latches.
- Precision spun heavy gauge aluminum reflector coated inside and out with highly reflective (90-92%) white polyester powder finish.
- One piece injection molded lens; 3/16" minimum thickness of 100% virgin acrylic for excellent brightness control and high efficiency.
- Large wiring access with captive retainer screw.

## Dimensions



## Energy Data

### HIGH PRESSURE SODIUM

HX BALLAST INPUT WATTS

150 Watt-188 Watts

CWA BALLAST INPUT WATTS

200 Watt-240 Watts

250 Watt-295 Watts

310 Watt-365 Watts

400 Watt-464 Watts

### METAL HALIDE

HX BALLAST INPUT WATTS

150 Watt-185 Watts

CWA BALLAST INPUT WATTS

150 Watt-189 Watts

175 Watt-210 Watts

200 Watt-232 Watts

250 Watt-295 Watts

320 Watt-368 Watts

350 Watt-400 Watts

400 Watt-458 Watts

450 Watt-508 Watts

# LBN Low bay

150-400W MH or HPS, 150-450W PSMH

## Photometry

<b>Catalog No.</b>	LBN400WMH-CRA	<b>Candlepower</b>				<b>Light Distribution</b>				<b>Average Brightness</b>													
<b>Test No.</b>	17309	<b>Angle</b>	<b>Avg. Candela</b>	<b>Angle</b>	<b>Avg. Candela</b>	<b>Degrees</b>	<b>Lumens</b>	<b>% Lamp</b>	<b>% Luminaire</b>	<b>Zone</b>	<b>End</b>	<b>45</b>	<b>Cross</b>										
<b>Wide Spread S/MH</b>	2.0	0	6192	95	635	<b>0-30</b>	6206	15.5	18.6	45	20909	19898	21408										
<b>Lamp Type</b>	400W MH	5	6314	105	362	<b>0-40</b>	11529	28.8	34.6	55	19546	18317	18377										
<b>Lumens/Lamp</b>	40,000	15	6906	115	227	<b>0-60</b>	24322	60.8	72.9	65	14310	12634	14125										
<b>Ballast Factor</b>	1.0	25	7671	125	208	<b>0-90</b>	31838	79.6	95.4	75	10180	8803	10171										
<b>Input Watts</b>	458	35	8469	135	14	<b>0-180</b>	33360	83.4	100.0	85	8292	6576	8364										
		45	8767	145	0	<b>Coefficients of Utilization</b>																	
		55	6855	155	0	<b>EFFECTIVE FLOOR CAVITY REFLECTANCE 20 PER (pfc=0.20)</b>																	
		65	4063	165	0	Ceil	80			70			50			30			10				
		75	2131	175	0	Wall	70	50	30	10	70	50	30	10	50	30	10	50	30	10			
		85	1042			RCR																	
						0	98	98	98	98	96	96	96	96	91	91	91	86	86	86	82	82	82
						1	89	85	81	77	86	82	79	76	78	75	72	74	72	70	70	69	67
						2	80	73	67	62	78	71	65	61	67	63	59	64	60	57	61	58	55
						3	73	63	56	50	70	62	55	50	59	53	48	56	51	47	53	49	46
						4	66	55	48	42	64	54	47	41	51	45	40	49	44	39	47	42	38
						5	60	49	41	35	58	48	40	35	46	39	34	43	38	33	41	37	33
						6	55	44	36	30	53	43	35	30	41	34	29	39	33	29	37	32	28
						7	51	39	31	26	49	38	31	26	37	30	25	35	29	25	34	28	24
						8	47	35	28	23	46	35	28	23	33	27	22	32	26	22	30	25	21
						9	44	32	25	20	42	31	25	20	30	24	20	29	23	19	28	23	19
						10	41	29	23	18	40	29	22	18	28	22	18	27	21	17	26	21	17

Comparative yearly lighting energy cost per 1000 lumens – **\$3.29** based on 3000 hrs. and \$.08 pwr KWH.

The photometric results were obtained in the Philips Day-Brite laboratory which is NVLAP accredited by the National Institute of Standards and Technology.



Some luminaires use fluorescent or high intensity discharge (HID) lamps that contain small amounts of mercury. Such lamps are labeled, "Contain Mercury" and/or the symbol "HG". Lamps that contain mercury must be disposed of in accordance with local requirements. Information regarding lamp recycling and disposal can be found at [www.lamprecycle.org](http://www.lamprecycle.org)

© 2015 Koninklijke Philips N.V. All rights reserved.  
Philips reserves the right to make changes in specifications and/or to discontinue any product at any time without notice or obligation and will not be liable for any consequences resulting from the use of this publication.  
[philips.com/luminaires](http://philips.com/luminaires)



Philips Lighting North America Corporation  
200 Franklin Square Drive, Somerset, NJ 08873  
Tel. 855-486-2216

Philips Lighting Canada Ltd.  
281 Hillmount Rd, Markham, ON, Canada L6C 2S3  
Tel. 800-668-9008