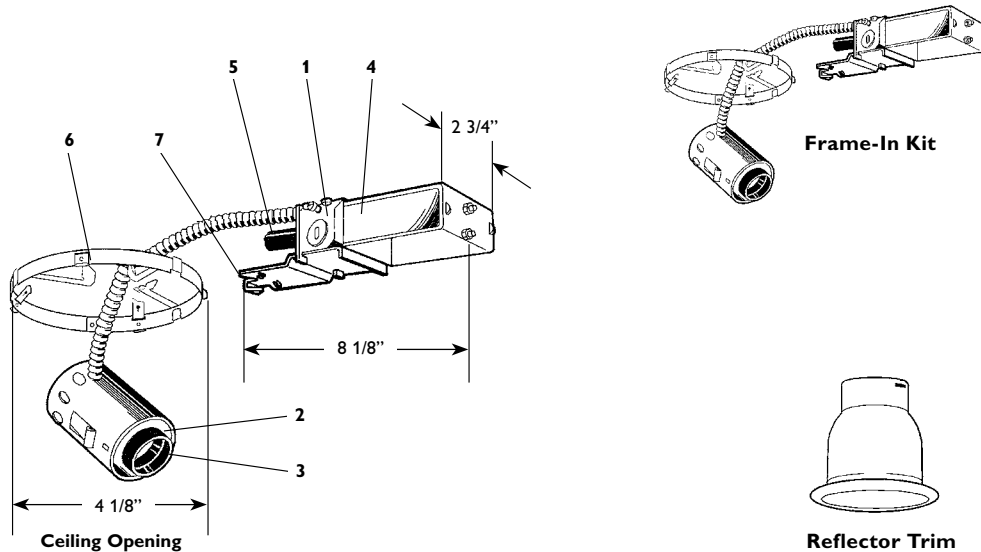


2000LVR

Lytecaster 3 3/4" Aperture, Standard Low Voltage, MR16 Remodeler, Frame-in Kit

KitPage 1 of 1

Project:	Catalog No:	Mfg:
Location:	Fixture Type:	Qty:
Notes:		Lamps:



Ordering guide: Complete Fixture consists of Reflector Trim & Frame-In Kit. Select each separately.

Frame-in kit	Reflector Trims (See Individual Reflector Trim Specification Sheets)									
	Open Downlight				Adjustable		Enclosed			
	Specular Cone			Satin Cone	Baffles	Slot	Pinhole	Mini Swivel	Eyeball	Diffuser
2000LVR	2012	2013CD	2013WH	2008	2005	2006	2011	2025WH	2022LV	2026WH 2090LV
	2012NM	2013CDNM	2013WD	2008NM	2005WH					
	2013	2013BKNM	2013WDP	2010	2005BNM					
	2013NM	2013BK		2010NM	2005NM					

Features

- Junction Box:** 2" x 2" x 2 5/8"; .036" (#20 ga.) galvanized steel. UL listed for 90° C supply wire. Integral cable clamps permit attachment of nonmetallic Romex® or armored cable without need of additional connectors.
- Socket Housing:** Aluminum, with lamp adjustment assembly allows vertical and horizontal adjustment, (see reflector trim specification sheet for specific adjustment).
- Socket:** Field replaceable. Two pin socket, pre-wired with #18SF1 leads to junction box.
- Transformer:** Outboard mounted, magnetic, 120V. primary, nominal 12V. secondary. Removable from below.
- Thermal Protector:** Meets NEC and UL requirements. Insulation must be kept 3" away from fixture sides and wiring compartments and must not be placed above fixture in a manner which will entrap heat.

- Mounting Ring:** .048 (#18 ga.) galvanized steel. Accommodates existing ceilings up to 2" thick. Attaches securely to any type of ceiling material without tools using (3) mounting straps provided. Push-in/twist out clips hold reflector flush to ceiling. Includes adhesive backed aperture template.
- Nail Clips:** Secures junction box and plate to ceiling.
- Lamping:** Use unshielded lamps only.

Dimming

Dimming Controls: Use only dimmers specifically designed for use with transformers, like Lightolier Onset®, Sunrise® series LV or VA dimmers, or any Lightolier Controls dimming system. Low voltage fixtures may produce audible sound when used with dimmers, which may be objectionable in acoustically critical areas.

Options and Accessories

Socket for General Electric Turn and lock (TAL) MR16 Lamp: 1975TAL
277V Remote Step-Down Transformer: 7997 - 277V down to 120V
 300W max. load.

MR16 Socket Replacement: 1975B

Labels

UL (Suitable for Damp Locations), I.B.E.W.
 Romex® is a registered trademark of General Cable Industries Inc.