

**READ AND UNDERSTAND THESE INSTRUCTIONS BEFORE INSTALLING FIXTURE**

This fixture is intended for installation in accordance with the National Electrical Code and local regulations. To assure full compliance with local codes and regulations, check with your local electrical inspector before installation. To prevent electrical shock, turn off electricity at fuse box before proceeding.

Retain these instructions for maintenance reference.

INSTRUCTION SHEET NO.

**IS:1029**

0892

**INSTALLATION PROCEDURE OF LYTECASTER 1029 SERIES REFLECTOR TRIMS  
IN THE 1000P1 FRAME-IN KIT**

**WARNING: READ MARKINGS IN TRIM TO DETERMINE LAMP  
WATTAGE AND TYPE, ALWAYS USE CORRECT LAMP.**

**1. FRAME-IN**

See Frame-In Kit Instruction Sheet for installation procedure.

**2. ROTATE ROTO-CLIPS (Fig. A)**

Rotate (3) ROTO-CLIPS so that the short legs extend inwardly toward the center opening.

**3. TRIM INSTALLATION**

- A. Insert SOCKET SPRING into SLOTS in neck of REFLECTOR. (Fig. B)
- B. Push REFLECTOR TRIM straight up into ceiling opening until it is tight against ceiling.
- C. Lamp fixture with recommended lamp wattage and type. (See wattage label.)
- D. Vertical adjustment can be done by inserting a screwdriver into slot in YOKE, and using it as a lever, tilting the YOKE to the desired angle. (Fig. C.)
- E. Horizontal adjustment can be done by rotating LAMP/YOKE to desired position.

**NOTE:** To remove Reflector Trim, turn Reflector Trim counterclockwise while pulling downward.  
1000P1 also accepts the following reflector Trims: 1005, 1008, 1010, 1011, 1012, 1013, 1013BK, 1013WH, 1021, 1022, 1023, 1024, 1035, 1045, 1046, 1071, 1076, 1076WH, 1078, 1082, 1085. Rotate ROTO CLIPS so that the LONG LEGS extend inwardly toward the center opening.

**WARNING: USE ONLY WITH FRAME-IN KITS PROVIDED BY  
LIGHTOLIER INC. USE OF OTHER MANUFACTURERS' FRAME-  
IN KITS VOIDS THE UNDERWRITERS LABORATORIES LISTING  
AND COULD CONSTITUTE A FIRE HAZARD.**

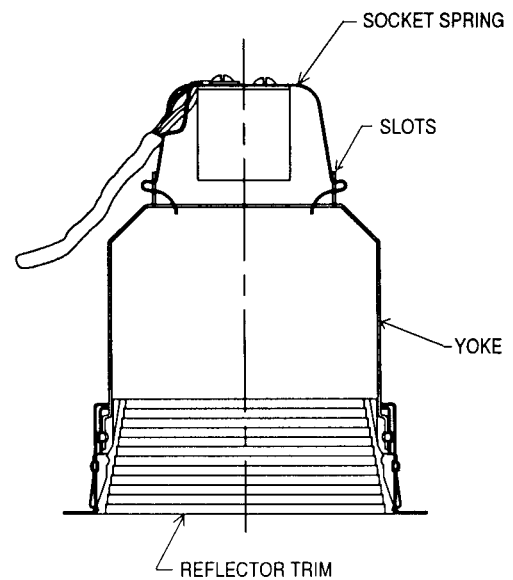


FIG. B

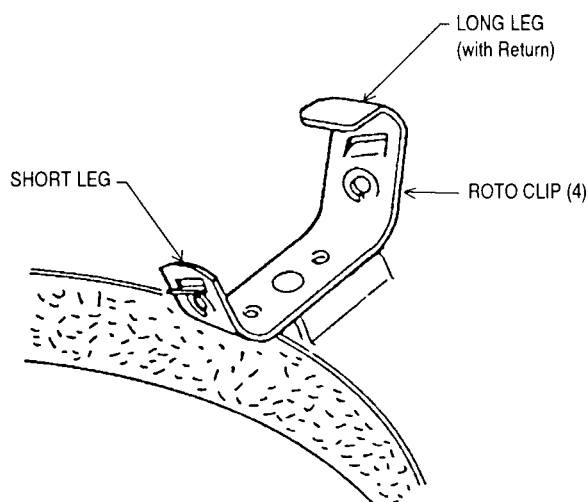


FIG. A

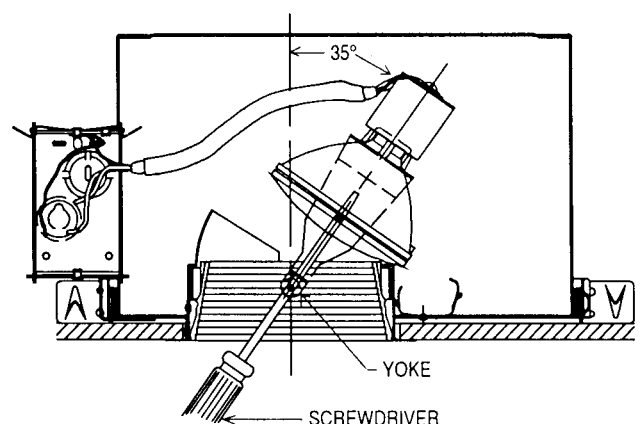


FIG. C

**LIGHTOLIER**® SECAUCUS, NEW JERSEY 07096  
MONTREAL, QUEBEC, CANADA