



# MASTERColor CDM-Rm Elite Mini

## MASTERColor CDM-Rm Elite Mini 20W/830 GX10 MR16 25D

The Elite family is at the very top of the MasterColor CDM range, and gives a unique combination of unbeatable light quality and consistent performance over lifetime, while keeping running costs low. The MasterColor DCM Elite MR16 combines the familiar compact shape of MR16 halogen lamps with the performance of ceramic metal halide MasterColor Elite lamps. Suited for accent/decorative lighting, general lighting and downlighting in retail applications; or for outdoor landscaping and architectural effects.

### Product data

| General Information        |                        |                                       |         |
|----------------------------|------------------------|---------------------------------------|---------|
| Cap-Base                   | GX10 [ GX10]           | Luminous Flux (Rated) (Nom)           | 1000 lm |
| Operating Position         | Universal [ Universal] | Luminous Intensity (Min)              | 3100 cd |
| Life to 5% Failures (Nom)  | 9000 h                 | Luminous Intensity (Nom)              | 4100 cd |
| Life to 10% Failures (Nom) | 10000 h                | Beam Description                      | -       |
| Life to 20% Failures (Nom) | 12000 h                | Lumen Maintenance 12000 h (Nom)       | 75 %    |
| Life to 50% Failures (Nom) | 15000 h                | Lumen Maintenance 2000 h (Nom)        | 90 %    |
| ANSI Code HID              | C156/O                 | Lumen Maintenance 4000 h (Nom)        | 85 %    |
| Switching Cycle            | 1350X                  | Chromaticity Coordinate X (Nom)       | 0.439   |
|                            |                        | Chromaticity Coordinate Y (Nom)       | 0.403   |
|                            |                        | Correlated Color Temperature (Nom)    | 3000 K  |
|                            |                        | Luminous Efficacy (rated) (Nom)       | 50 lm/W |
|                            |                        | Color Rendering Index (Min)           | 81      |
|                            |                        | Color Rendering Index (Nom)           | 84      |
|                            |                        | LLMF At End Of Nominal Lifetime (Nom) | 70 %    |
|                            |                        | Luminous Flux in 90° Cone (Rated)     | 900 lm  |
|                            |                        |                                       |         |
|                            |                        |                                       |         |

# MASTERColor CDM-Rm Elite Mini

## Operating and Electrical

|                                 |        |
|---------------------------------|--------|
| Power (Rated) (Nom)             | 20 W   |
| Re-ignition Time (Min) (Max)    | 15 min |
| Warm Up Time to 60% Light (Nom) | 120 s  |
| Ignition Time (Max)             | 30 s   |
| Voltage (Max)                   | 100 V  |
| Voltage (Min)                   | 90 V   |
| Voltage (Nom)                   | 95 V   |

## Controls and Dimming

|                       |       |
|-----------------------|-------|
| Dimmable              | No    |
| Run-Up Time 90% (Max) | 3 min |

## Mechanical and Housing

|             |       |
|-------------|-------|
| Bulb Finish | - [-] |
|-------------|-------|

## Approval and Application

|                               |        |
|-------------------------------|--------|
| Energy Efficiency Label (EEL) | A      |
| Mercury (Hg) Content (Nom)    | 3.5 mg |
| Energy Consumption kWh/1000 h | 22 kWh |

## UV

|                          |           |
|--------------------------|-----------|
| Pet (Niosh) (Min)        | 8 h/500lx |
| Damage Factor D/fc (Max) | 0.4       |

## Luminaire Design Requirements

|                                  |        |
|----------------------------------|--------|
| Reflector Neck Temperature (Max) | 215 °C |
|----------------------------------|--------|

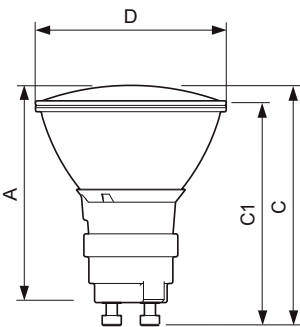
## Product Data

|                                 |   |
|---------------------------------|---|
| Order product name              | MASTERColor CDM-Rm Elite Mini 20W/830 GX10 MR16 25D |
| EAN/UPC - Product               | 046677421663  |
| Order code                      | 421669  |
| Numerator - Quantity Per Pack   | 1   |
| Numerator - Packs per outer box | 12  |
| Material Nr. (12NC)             | 928191105315  |
| Net Weight (Piece)              | 0.047 kg  |
| ILCOS Code                      | MRS/UB-20/830-H-GX10-51/54.5/25                     |

## Warnings and Safety

- R "WARNING: These lamps can cause serious skin burn and eye inflammation from short wave ultraviolet radiation if outer envelope of the lamp is broken or punctured. Do not use where people will remain for more than a few minutes unless adequate shielding or other safety precautions are used. Certain lamps that will automatically extinguish when the outer envelope is broken or punctured are commercially available." This lamp complies with FDA radiation performance standard 21 CFR subchapter J. (USA:21 CFR 1040.30 Canada: SOR/DORS/80-381)
- Lamp contains mercury. Manage in Accord with Disposal Laws. See: [www.lamprecycle.org](http://www.lamprecycle.org) or 1-800-555-0050

## Dimensional drawing

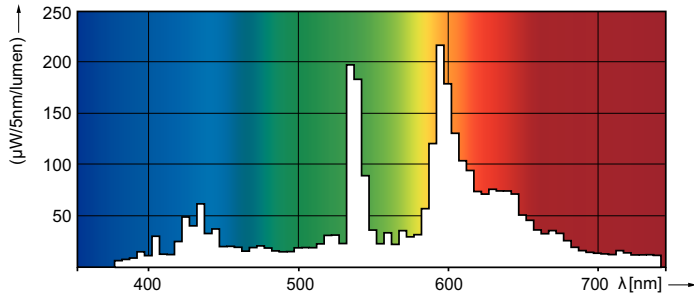


CDM-Rm 20W/830 GX10 MR16 25D

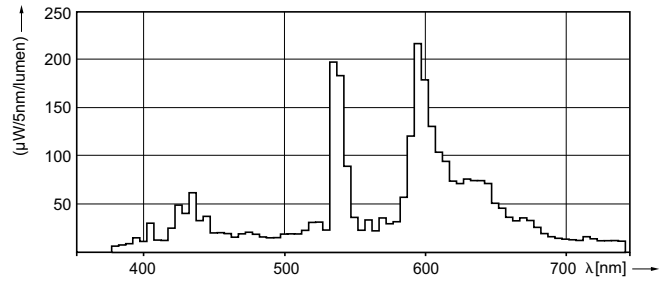
| Product   | D (max) | D     | C (max) | C        | C1 (max) | A (max) |
|---|---------|-------|---------|----------|----------|---------|
| MASTERColor CDM-Rm Elite Mini 20W/830 GX10 MR16 25D | 51 mm   | 50 mm | 65.4 mm | 62.75 mm | 60.9 mm  | 59 mm   |

# MASTERColor CDM-Rm Elite Mini

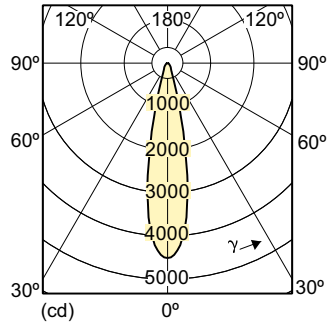
## Photometric data



MASTERColour CDM-R Mini 20W /830

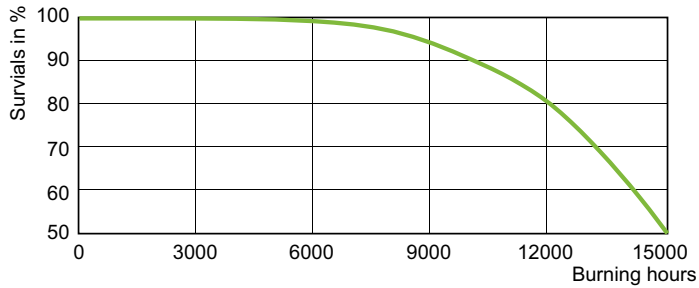


MASTERColour CDM-R Mini 20W /830

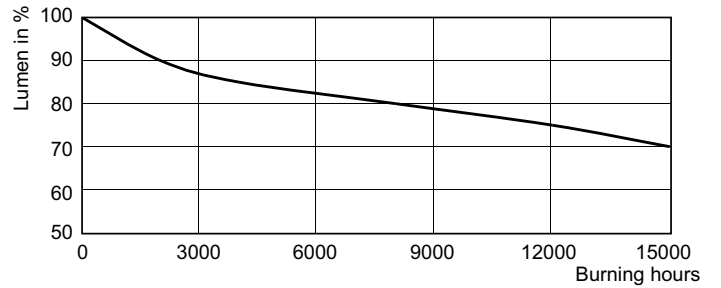


CDM-Rm 20W /830 25D

## Lifetime



CDM-Rm 20W Life Expectancy /830



CDM-Rm 20W Lumen Maintenance /830 VBU

## MASTERCOLOR CDM-Rm Elite Mini

