



301 Fulling Mill Road, Suite G
Middletown, PA 17057
Phone (800) 321-2343
www.legrand.us/onq

SB007-IC

Video Door Entry Kit Overview

I. Application/Purpose

This bulletin will provide an overview of the new Legrand Home Systems Video Door Entry Kit which provides the parts necessary for installation of a single room Selective Call Intercom system and the Video Door station for viewing at one television location in the home.

II. Associated Part Numbers

IC5402-OB/AB – Video Door Entry Kit

III. Explanation

The Video Door Entry Kit features an easy solution for both camera viewing and communication using the Selective Call Intercom System and the existing Legrand connectivity product. The kit includes the Selective Call 8 port Distribution Module (IC5001), 1 Selective Call Intercom Room Station (IC5000-xx), 1 Video Door Station, 1 24v 2.5amp Power Supply (PW1060), and 1 RCA Male to F Female Adapter (364338-01). Legrand Home Systems also recommends purchasing one of the Keystone Yellow RCA to F inserts (WP3465-xx) and a 1-Port Single Gang Decorator wall plate (WP3401-xx)

Requirements for the pre-wire of the Video Door Entry Kit are simple. The Selective Call Room Station and the Video Door Unity require only a single CAT5 run back to the structured wiring enclosure. A run of RG6 Coax cable is also required from the Television location to the structured wiring enclosure. All other connectivity is handled in the enclosure. (See Figure 1)

No programming is required for the Selective Call Intercom System outside of personalization of names and selectable chimes.

SB007-IC Video Door Entry Kit Overview

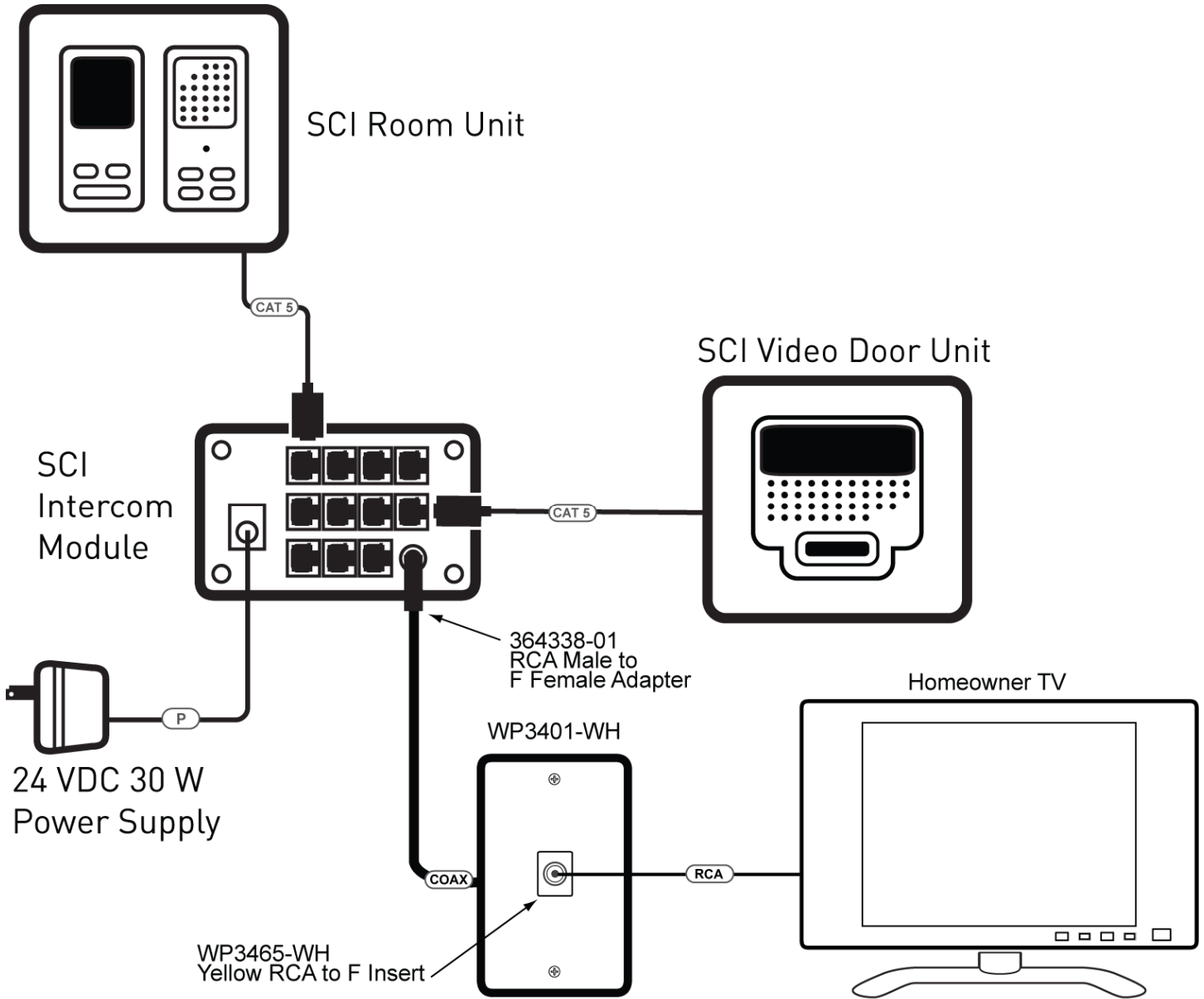


FIGURE 1