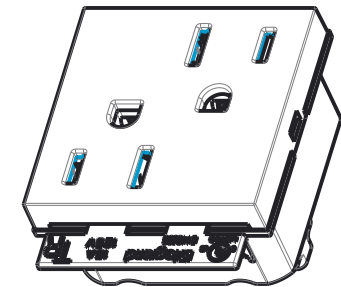
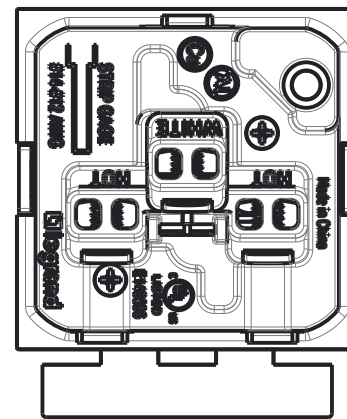
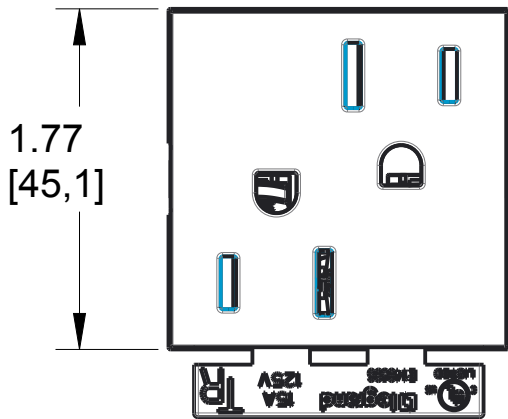
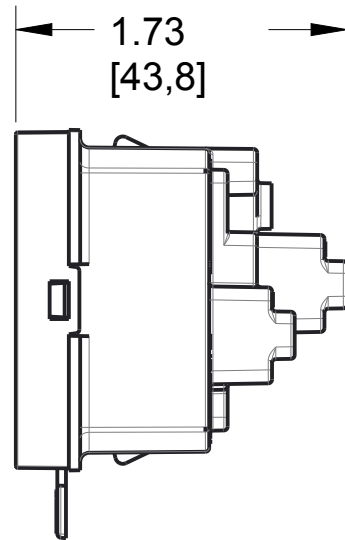
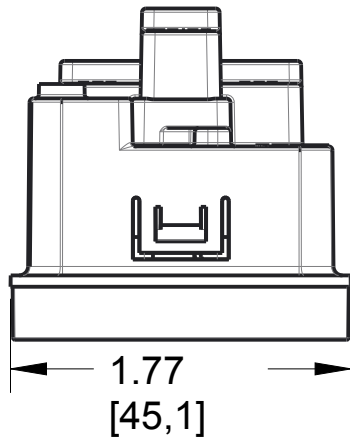


2

1

REV	EC.NO.	DATE	DESCRIPTION	DFTR	CK.
A			INITIAL RELEASE		
A1			REVISION TO DRAWING		



SCALE 0.750

B

B

A

A

Size Face: 2x2 Module
 Size Backbody: 2x2 Module
 Rating: 15A, 125 VAC, All Loads
 3rd Party Compliance: cULus LISTED
 Termination: Back Wire Only
 Misc: Copper Wire Only
 For Use With adorne System Only

ARTR152, Tamper-Resistant Outlet Receptacle, 15A

MATERIAL	SEE NOTE	UNSPECIFIED TOL. FRAC. ± 1/64 ANGLES ± 1.0 DEC. 0 ± 0.02 .00 ± 0.01 .000 ± 0.005	 	
FINISH	SEE NOTE			
DSGN.BY: RMR	5/15/2015		PROJ. SHT 1of1	DWG.NO.: CD1146
DR.BY:		SCALE: 1.000		
CK.BY:				

NOTICE: Proprietary and confidential information of Pass & Seymour/Legrand
 Reproduction or disclosure prohibited under penalty of law.

2

1