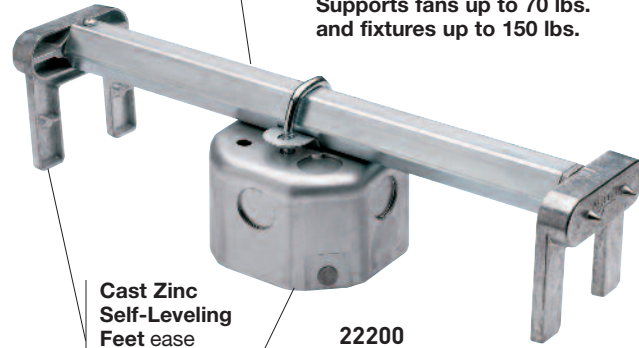


Heavy-Duty Hexagon Brace expands from 16"-24", perfect for existing ceiling applications.

Supports fans up to 70 lbs. and fixtures up to 150 lbs.



Cast Zinc Self-Leveling Feet ease installation.

22200

25 cu. in. Metal Box included.

Rotating Dual-Purpose Mounting Supports accept both fan (#10-32 screws) and fixture (#8-32 screws) mounting.

- **National Electrical Code® 422.18 Support of Ceiling-Suspended (Paddle) Fans.** Outlet boxes or outlet box systems listed for the purpose shall be used to support ceiling-suspended fans weighing up to 70 pounds.
- **National Electrical Code® 314.27 Outlet Boxes.** A fixture weighing more than 50 pounds shall be supported by an outlet box that is listed for the weight of the fixture it is intended to support.

All Reiker Ceiling Supports are UL-rated for fan and fixture installations.

## SELECTION CHART

APPLICATION	LOCATION	REIKER MODEL	MAX UL RATING*		BOX DEPTH (in.)	BOX VOLUME (cu. in.)	NOTES
			FAN (lbs.)	FIXTURE (lbs.)			
New Construction Slides	Between Ceiling Joists	55501	70	110	1.5	16	1,2,5
		65521	70	110	2.0	21	1,2,3
		77702	70	110	.625	8	1,2,5
		85502	70	110	2.0	21	1,2
Direct Mount Boxes	Under Ceiling Joists	44400	70	150	2.5	25	1,2
		55505	70	150	1.5	16	1,2,5
		55528	70	150	2.0	21	1,2
		77700	70	150	.625	8	1,2
		77705	70	150	.5	6.5	1,2,5
77706	70	150	.625	8	1,2,3		
Side Mount Boxes	Beside Ceiling Joists	55015	70	150	1.5	16	1,2
		55020	70	150	2.0	21	1,2
		55025	70	150	2.0	21	1,2
Retrofit Braces	Between Ceiling Joists	22200	70	150	2.5	25	1
		33300	70	150			4
		33303			1.5	16	
		33310	70	150	1.5	16	
		83300	70	150	1.5	16	1
Specialty Boxes	T-Bar	15010	70	150	1.5	16	

### NOTES:

1. Rotating Dual-Purpose Mounting Supports
2. Peel & Stick Tape
3. For thicker or fire wall ceilings.
4. Uses 33303 Standard Electrical Box
5. Bulk packs available

\*Ratings shown for Slides and Braces at 16" spans. Model 15010 at 24" span.

For more information — call **800-223-4185** or visit our web site at [www.passandseymour.com](http://www.passandseymour.com)



Pass & Seymour

[www.passandseymour.com](http://www.passandseymour.com)

BR1175 0809  
© 2009 Legrand WM/GGXTTP

# Reiker

## Fan & Fixture Supports



for Mounting Ceiling Fans & Light Fixtures



- New construction
- Alterations
- Direct and side mount applications
- Specialty



## Fan & Fixture Supports for every application

### Featuring:

- New construction or alteration models
- Between, beside, or under joist mounting
- Top and side knockouts
- Large fan boxes for wires & connections
- Peel & stick tape momentarily frees hands for tools
- Metal components



- Rotating dual-purpose mounting supports – **exclusive Reiker feature**

- Flexibility to mount either fans or light fixtures
- Threaded holes for fan "10/32"
- Threaded holes for fixtures "8/32"



Pass & Seymour

UL & NEC® Compliant

## New Construction Applications

### USE WHEN:

- You have exposed ceiling joists or access from above
- Fans/fixtures are between joists



Cat # 85502



Cat # 55501



Cat # 77702



Cat # 65521

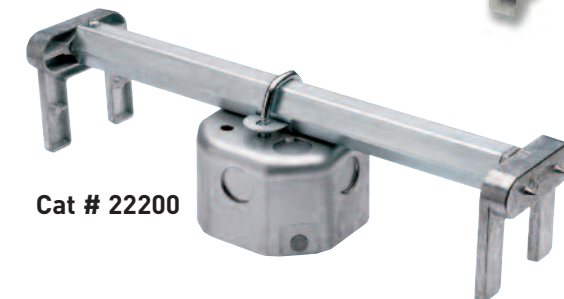
## Retrofit Applications

### USE WHEN:

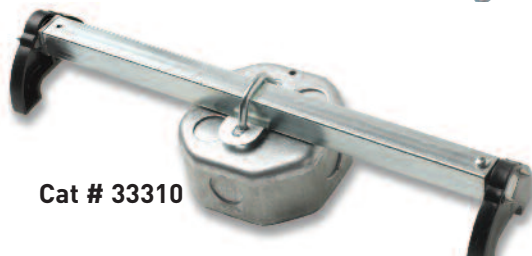
- Installing thru sheetrock
- Fans/fixtures are between joists



Cat # 83300



Cat # 22200



Cat # 33310



Cat # 33300 & 33303

## Direct & Side Mount Applications

### USE WHEN:

- Screwing directly into joists
- Fans/fixtures are under or beside joists



Cat # 55505



Cat # 55025



Cat # 77705



Cat # 77706

## Specialty Applications

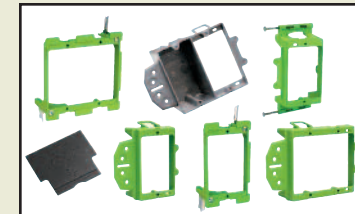
### Drop Ceiling Support

- Standard 36 - 38" drop
- Mounts to wood or metal beams



Cat # 15010

## Slater® Plastic Boxes



Ask your P&S distributor for Slater Boxes, designed with unique labor- and time-saving features. The line includes a range of new construction, old work, low voltage, and floor boxes for commercial and residential construction applications.