





US Products Catalog



Table of Contents

RESIDENTIAL/COMMERCIAL/INSTITUTIONAL







Convection Heaters

	RBH	Electric Baseboard Heater	2
	ODL	Sublime High-End Baseboard Heater	4



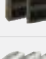




General Heating Controls

	Electronic Thermostats <small>Training available online</small>	6
	Mechanical Low Voltage Thermostat	
	Mechanical Line Voltage Thermostats	
	Programmable Battery-Powered Electronic Thermostat (low or line voltage)	
	Low Voltage Relays	7
	Universal Guards	8
THRF	Options for RBH with Factory Installed THRF	


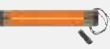
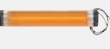











Bath Fans

	OVB-SP	Slim Profile Fans	9
	OVB-FC	Fan 'n' can Spotlight	10
	OVB-CM	Contractor Model Fan	11
	OVB-QS	Quiet - Super Quiet Fans	12
	OVB-LN	Fan - Light - Night Light	14
	OVB-HL	Fan - Heat - Light	16

Forced-Air Wall Heaters

	OVS	Residential Wall Heater	18
	OVR	Residential Register Heater	20
	OAC	Commercial Wall Heater	22
	OAWH	Forced-Air Architectural Wall Heater	24
	OHY	Hybrid Convection and Forced-Air Wall Heater <small>Training available online</small>	26
	OVN	Fusion Forced-Air Wall Heater <small>Training available online</small>	27
	OVE	Source European-Style Wall Heater	28
	WHFC	Forced-Air Ceiling Heater	29

Radiant Heaters

	ORC	Sunshine Radiant Cove Heater	30
	UFO-R	Indoor Infrared Heater with Remote Control	31
	UFO-E	Outdoor/Indoor Infrared Heater	32
	OKB	(ORR) Radiant Heater	33
	OTM	Thermat Floor Heating System <small>Training available online</small>	34
	OTR	Therma Cable Floor Heating System	36
	OWC-M	Heating Cable on Mat for Concrete <small>Training available online</small>	38
	OWC-R	Heating Cable in Reel for Concrete <small>Training available online</small>	40
	OTH770	Non Programmable Electromechanical Thermostat for Floor Heating System	41
	TH115	Programmable Electromechanical Thermostat for Floor Heating System	42
	CT230	Slave Unit for Floor Heating System	42
	OWS	Heating Cable Mat for Snow Melting	43
	ETO2	Dual-zone Electronic Controller for Heating Cable OWS Series	45
	DS-2C	Aerial Mounted Sensor and Controller for Heating Cable OWS Series	46

Specialty Heaters





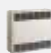



	OCP	Kickspace Heater	47
	OFH	Forced-Air Floor Heater	48

Table of Contents








FORCED-AIR CEILING HEATERS

Forced-Air Ceiling Heaters			
	OACP	Commercial Ceiling Heater	49
	ODS	Ceiling Forced-Air Diffuser	51
	OCA	Forced-Air Cabinet Unit Heater	53

SPACE/UNIT HEATERS

	OAE	Economical Unit Heater	55
	OCH	Portable Heater	56
	OCH-WB	Red Portable Heater with Wall Bracket	57
	OHV-CC	Cyclone Portable Unit Heater	58
	OHV-RF	Cyclone Hard Wire Unit Heater	59
	OHV	Cyclone Commercial Unit Heater Training available online	60

INDUSTRIAL

	OAS	Industrial Suspended Unit Heater	62
	OAS-MD	Mide Duty Option	65
	OWD	Wash Down Unit Heater	66
	OHX	Explosion-Proof Unit Heater	68
	XB	(OCX) Explosion-Proof Heater	70
	OPX	Explosion-Proof Sloped Top Convectector Heater	72
	OIP	Industrial Sloped Top Cabinet Convectector	74





ARCHITECTURAL

Draft Barrier Heaters			
	OMB	Mini Aluminum Draft Barrier	76
	ODB	Aluminum Draft Barrier	79
	ODBA	Heavy-Duty Steel Draft Barrier	82
	OCB	Aluminum Draft Barrier	85
	ODI	Aluminum Sloped Top Draft Barrier	88
	ODIA	Heavy-Duty Steel Sloped Top Draft Barrier	91
	OHB	High Density Aluminum Draft Barrier	94

Cabinet Convectector Heaters

	OLA/OLI	High Density Architectural Cabinet Convectector	97
	OPA/OPI	Architectural Cabinet Convectector	97

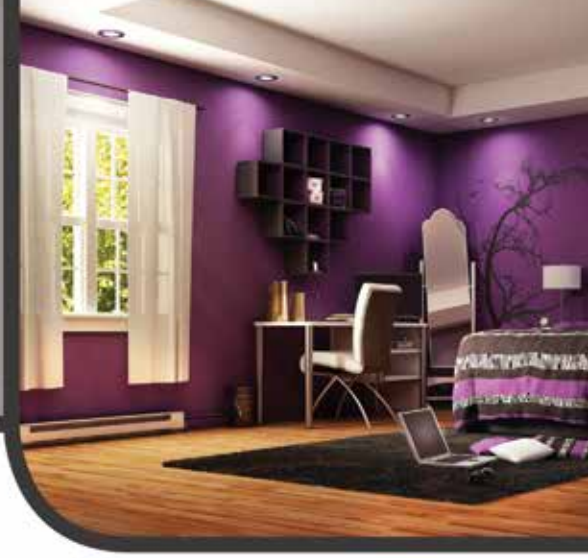
HAND DRYER

	OAF	AirForce™ High Speed Hand Dryer	98
	OAD	AirDuo Hand and Hair Dryer	99
	OAM	AirMulti Multi-Voltage Hand Dryer	100
	XAP	AirPlus New Generation Hand Dryer	101

REFERENCE CHARTS

Wall Thermostats Reference Chart	102
Electrical Fundamentals	103
Cross Reference Chart	104
Models Codification	105
Color Selection	105
Color Chart	106
Contacts	107
Warranty	107

RBH Electric Baseboard Heater



Features

Color

- Standard: Semi-gloss powdered paint finish in white, almond optional.
- Optional Special Stock Finishes: See special color chart for available finishes.

Finish

- Standard: 4H pencil hardness epoxy/polyester powder coat paint.
- May be repainted with any interior paint.

Voltage

- 120V, 208V, 240/208V, 277V, 347V, 480V, 600V, 1-phase.

Construction

- Robust 22-gauge tight fit body.
- Sturdy 20-gauge front panel with design embossed lines.
- Welded 20-gauge junction box to back wrap, easy rear access wiring panel.
- Rounded upper corners and junction box sides.
- Linear high-limit temperature control with automatic reset.
- High altitude version available (-HA) up to 8200 ft.

Heating element

- Stainless steel tubular heating element with aluminum fins.
- Floating stainless steel heating element on high-temperature nylon bushings eliminating expansion noises.
- Aluminum diamond shape element fins position for maximized heat transfer.
- Element locked in place by screw on a stainless steel support.

Dimension

- See Table.
- Small height and slim depth for economy of space.
- Standard watt density and low watt density models.

Control

- A wide selection of built-in controls available.
- Built-in thermostat kit can be installed at either end.
- Built-in relay kit fits in the right end box only.
- A compartment for low voltage connections (located directly under the junction box) facilitates the installation of low voltage relay in electric baseboard.

Ouellet highly recommends using an electronic wall thermostat for greater comfort and efficiency.

Installation

- No disassembly installation with single-screw built-in rear entry wire holder.
- Installation directly on the floor with connection box at both ends of the heater.
- Two rows of oblong mounting holes with center mark for ease of installation.
- Raceway and side knock-outs for baseboard interconnections.

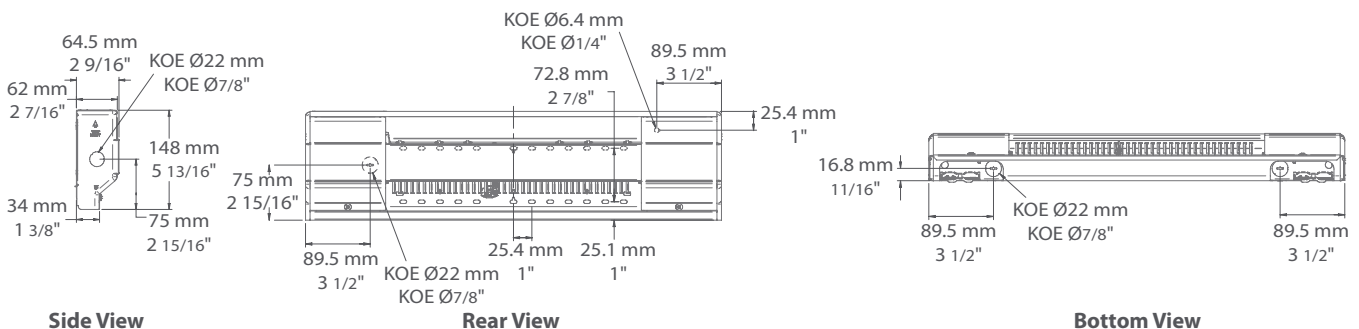
Warranty

- 1-year warranty against defects.
- Heating element has a lifetime warranty for the initial end user.

Note: Stainless steel tubular heating element on all sizes eliminates potential for 60 Hz hum. Locked-in-place element, mounting slot holes and overall construction maximizes performance, quality and more.

Application

- Residential and light commercial applications. Living areas, bedrooms, etc.



RBH

Standard Watt Density Models

Single voltage products #			Dual voltage products #			Length ¹		Weight	
Watts	120V	208V	Watts	240/208V	277/240V	in.	mm	lb	kg
300	RBH0302	RBH0308	300/225	RBH0300	-	22 3/4	577	4.5	2.0
500	RBH0502	RBH0508	500/375	RBH0500	RBH0577	27 3/4	702	5.4	2.4
750	RBH0752	RBH0758	750/563	RBH0750	RBH0777	37 3/4	956	7.0	3.2
1000	RBH1002	RBH1008	1000/750	RBH1000	RBH1077	48	1217	8.7	3.9
1250	RBH1252	RBH1258	1250/938	RBH1250	RBH1277	60	1524	10.7	4.9
1500	RBH1502	RBH1508	1500/1125	RBH1500	RBH1577	72	1829	12.7	5.7
1750	-	RBH1758	1750/1313	RBH1750	RBH1777	75 1/2	1916	13.2	6.0
2000	-	RBH2008	2000/1500	RBH2000	RBH2077	96	2439	16.6	7.5
2250 ²	-	RBH2258	2250/1688 ²	RBH2250	RBH2277	93	2364	16.2	7.3
2500 ²	-	RBH2508	2500/1875 ²	RBH2500	RBH2577	102 1/4	2596	17.8	8.0

Low Watt Density Models

75% of rated wattage for dual voltage products. For 208V low watt density, operate 240V model at 208V.

For 240V low watt density, operate 277V model at 240V. Low watt density models not available for 120V or 277V.

Options

Product #	Description	Factory Installed	Kit
OFM-CI	Corners (inside and outside)	-	✓
RBH-DIS20	Disconnect switch, double-pole, 20A at 250V max.	✓	✓
RBH-HA	Linear high-limit temperature control for high altitude (3000 ft. to 8200 ft.)	✓	-
OFM-RO1	Baseboard section 6 in. (152 mm) - Surface-mount 5-15R receptacle - 15A at 120V	-	✓
OFM-RO2	Baseboard section 6 in. (152 mm) - 240V splitter box toward a surface-mount, 6-20R receptacle (20A switch, double-pole, double-throw)	-	✓
OFM-RO2B	Baseboard section 6 in. (152 mm) - Surface-mount 6-20R receptacle - 240V	-	✓
RBH-R-347	Single-pole relay, coil 24V, without transformer: 22A at 120V, 208V, 240V - 18A at 347V	✓	✓
RBH-R-600	Single-pole relay, coil 24V, without transformer, 10A at 600V	✓	✓
RBH-RT-120 ³	Single-pole relay, coil 24V, with transformer, 25A at 120V (2-wire only)	✓	✓
RBH-RT-208	Single-pole relay, coil 24V, with transformer, 22A at 208V	✓	✓
RBH-RT-240	Single-pole relay, coil 24V, with transformer, 22A at 240V	✓	✓
RBH-RT-277	Single-pole relay, coil 24V, with transformer, 19A at 277V	✓	✓
RBH-RT-347	Single-pole relay, coil 24V, with transformer, 18A at 347V	✓	✓
RBH-RT-600 ³	Single-pole relay, coil 24V, with transformer, 10A at 600V (2-wire only)	✓	✓
OFM-240SPLITTER	Baseboard section 6 in. (152 mm) - 240V splitter box to permanently connect an air conditioner (20A switch, double-pole, double-throw)	-	✓
OFM-SR	Baseboard section 6 in. (152 mm) for the installation of a 24V relay (relay not included)	-	✓
RBH-TB6	Single-pole bi-metal thermostat: 25A at 120V, 208V, 240V, 277V - 10A at 347V, 480V, 600V	✓	✓
RBH-TB26 ⁴	Double-pole bi-metal thermostat: 25A at 120V, 208V, 240V, 277V - 10A at 347V, 480V, 600V	✓	✓
RBH-TB6-AV	Single-pole bi-metal tamperproof thermostat: 25A at 120V, 208V, 240V, 277V - 10A at 347V, 480V, 600V	✓	✓
RBH-TB26-AV ⁴	Double-pole bi-metal tamperproof thermostat: 25A at 120V, 208V, 240V, 277V - 10A at 347V, 480V, 600V	✓	✓
RBH-THRF-KLE-XX ⁵	Wireless thermostat and relay module for heaters factory installed at left end - English display: 12.5A at 120V, 208V, 240V	✓	-
RBH-THRF-KRE-XX ⁵	Wireless thermostat and relay module for heaters factory installed at right end - English display: 12.5A at 120V, 208V, 240V	✓	-
RBH-THRF-ML-XX ⁶	Wireless relay module for heaters factory installed at left end: 12.5A at 120V, 208V, 240V	✓	-
RBH-THRF-MR-XX ⁶	Wireless relay module for heaters factory installed at right end: 12.5A at 120V, 208V, 240V	✓	-
RBH-TRIAC-347	Single-pole electronic relay, coil 24V, without transformer, 15A at 347V max.	✓	✓
RBH-TRIAC-347T	Single-pole electronic relay, coil 24V, with transformer: 15A at 208V, 240V, 347V	✓	✓
RBH-TRIAC-600	Single-pole electronic relay, coil 24V, without transformer, 6A at 600V max.	✓	✓

¹ Nominal length ±1/8" (3 mm).

² These models must be ordered in pairs to reduce shipping damage.

³ These 2-wire relay with transformer can't supply 3-wire low voltage thermostats.

⁴ "Off" position.

⁵ XX = Length (mm) of the RBH unit. Ex.: RBH-THRF-KLE-577 for RBH0300BL. See options at page 8.

⁶ XX = Length (mm) of the RBH unit. Ex.: RBH-THRF-ML-577 for RBH0300BL. See options at page 8.

Add "BL" for white, "AM" for almond.

Optional colors shown in the color chart section are available upon request.

Other voltages available upon request.

ODL Sublime High-End Baseboard Heater



Features

Color

- Standard: white, metallic charcoal.
- Optional: almond, metallic silver, bronze, textured black, beige-grey, aluminum, semi-gloss black, sand.
- Custom colors available upon request.

Finish

- Standard: epoxy/polyester powder paint.

Voltage

- 120V, 208V, 240/208V, 277V, 347V, 480V, 600V, 1-phase.

Construction

- Robust aluminum front cover.
- 20-gauge satin coat steel cabinet.
- Linear high-limit temperature control with automatic reset.
- High altitude version available (-HA).

Heating element

- Stainless steel tubular heating element with aluminum fins.
- Floating heating element on high-temperature nylon bushings eliminating expansion noises.

Watt density

- Standard watt density.
- Low watt density.

Control

- Built-in thermostat available with a control knob or tamperproof.
- Mechanical or electronic relays available (installed on the right end only).
- Compartment for low voltage connections (located directly under the junction box) to facilitate the installation of low voltage relay.

Ouellet highly recommends the use of an electronic wall thermostat for greater comfort.

Installation

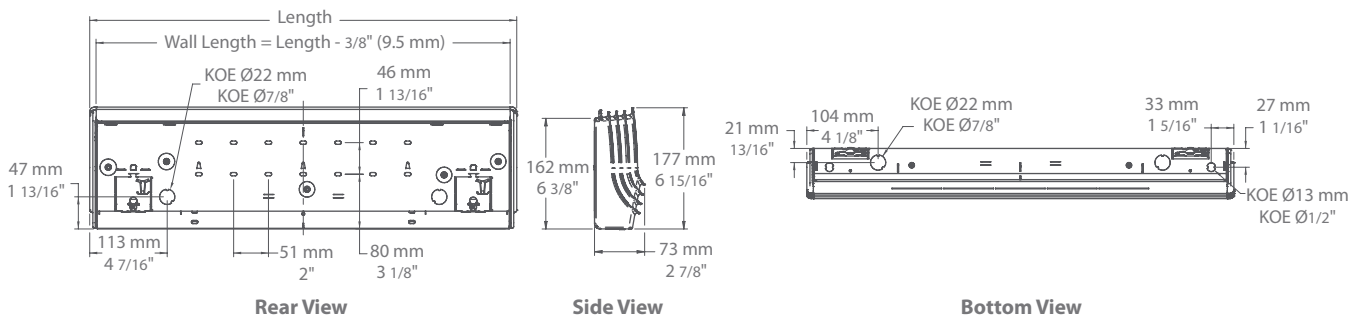
- Installation directly on the floor.
- Connection box at both ends.
- Single-screw built-in wire holder.
- Raceway for ease of installation.
- Two rows of mounting holes spaced at 2 in. (51 mm) intervals for ease of installation.

Warranty

- 1-year warranty against defects.
- Heating element has a lifetime warranty for the initial end user.

Application

- Dining room-kitchen, living room, family room, bedroom, bay window, office building, commercial building.



Standard Watt Density Models

Watts	Watts 240/208V	Product #				Length ¹		Weight	
		120V	208V	240/208V	277V	in.	mm	lb	kg
300	300/225	ODLU0302	ODLU0308	ODLU0300	-	24 5/8	625	7.4	3.4
500	500/375	ODLU0502	ODLU0508	ODLU0500	ODLU0577	29 1/2	750	8.5	3.9
750	750/563	ODLU0752	ODLU0758	ODLU0750	ODLU0777	39 1/2	1004	10.7	4.9
1000	1000/750	ODLU1002	ODLU1008	ODLU1000	ODLU1077	49 13/16	1265	13.0	5.9
1250	1250/938	ODLU1252	ODLU1258	ODLU1250	ODLU1277	59 1/4	1506	15.1	6.9
1500	1500/1125	ODLU1502	ODLU1508	ODLU1500	ODLU1577	68	1727	17.0	7.7
1750	1750/1313	-	ODLU1758	ODLU1750	ODLU1777	77 5/16	1964	19.1	8.7
2000	2000/1500	-	ODLU2008	ODLU2000	ODLU2077	86 1/8	2187	21.0	9.6
2250	2250/1688	-	ODLU2258	ODLU2250	ODLU2277	94 15/16	2412	23.0	10.5
2500	2500/1875	-	ODLU2508	ODLU2500	ODLU2577	104 1/16	2644	25.0	11.4

Low Watt Density Models

Watts	Watts 240/208V	Product #				Length ¹		Weight	
		120V	208V	240/208V	277V	in.	mm	lb	kg
300	300/225	ODLU0302-750	ODLU0308-750	ODLU0300-750	ODLU0377-750	29 1/2	750	8.5	3.9
500	500/375	ODLU0502-1004	ODLU0508-1004	ODLU0500-1004	ODLU0577-1004	39 1/2	1004	10.7	4.9
750	750/563	ODLU0752-1265	ODLU0758-1265	ODLU0750-1265	ODLU0777-1265	49 13/16	1265	13.0	5.9
1000	1000/750	ODLU1002-1506	ODLU1008-1506	ODLU1000-1506	ODLU1077-1506	59 1/4	1506	15.1	6.9
1250	1250/938	ODLU1252-1727	ODLU1258-1727	ODLU1250-1727	ODLU1277-1727	68	1727	17.0	7.7
1500	1500/1125	ODLU1502-2187	ODLU1508-2187	ODLU1500-2187	ODLU1577-2187	86 1/8	2187	19.1	8.7
1750	1750/1313	-	ODLU1758-2412	ODLU1750-2412	ODLU1777-2412	94 15/16	2412	21.0	9.6
2000	2000/1500	-	ODLU2008-2644	ODLU2000-2644	ODLU2077-2644	104 1/16	2644	23.0	10.5
2250	2250/1688	-	ODLU2258-2644	ODLU2250-2644	ODLU2277-2644	104 1/16	2644	23.0	10.5

Options

Product #	Description	Factory Installed	Kit
ODL-DIS20	Disconnect switch, double-pole, 20A at 277V max.	✓	✓
ODL-HA	Linear high-limit temperature control for high altitude (6000 ft. to 8200 ft.)	✓	-
ODL-R-347	Single-pole relay, coil 24V, without transformer: 22A at 120V, 208V, 240V - 18A at 347V	✓	✓
ODL-R-600	Single-pole relay, coil 24V, without transformer, 10A at 600V	✓	✓
ODL-RT-120 ²	Single-pole relay, coil 24V, with transformer, 25A at 120V (2-wire only)	✓	✓
ODL-RT-208	Single-pole relay, coil 24V, with transformer, 22A at 208V	✓	✓
ODL-RT-240	Single-pole relay, coil 24V, with transformer, 22A at 240V	✓	✓
ODL-RT-277	Single-pole relay, coil 24V, with transformer, 19A at 277V	✓	✓
ODL-RT-347	Single-pole relay, coil 24V, with transformer, 18A at 347V	✓	✓
ODL-RT-600 ²	Single-pole relay, coil 24V, with transformer, 10A at 600V (2-wire only)	✓	✓
ODL-TB6	Single-pole bi-metal thermostat: 25A at 120V, 208V, 240V - 10A at 347V, 600V	✓	✓
ODL-TB26 ³	Double-pole bi-metal thermostat: 25A at 120V, 208V, 240V - 10A at 347V, 600V	✓	✓
ODL-TB6-AV	Single-pole bi-metal tamperproof thermostat: 25A at 120V, 208V, 240V - 10A at 347V, 600V	✓	✓
ODL-TB26-AV ³	Double-pole bi-metal tamperproof thermostat: 25A at 120V, 208V, 240V - 10A at 347V, 600V	✓	✓
ODL-TRIAC-347	Single-pole electronic relay, coil 24V, without transformer, 15A at 347V max.	✓	✓
ODL-TRIAC-347T	Single-pole electronic relay, coil 24V, with transformer: 15A at 208V, 240V, 347V	✓	✓
ODL-TRIAC-600	Single-pole electronic relay, coil 24V, without transformer, 6A at 600V max.	✓	✓

¹ Wall length = Length - 3/8" (9.5 mm).

² These 2-wire relays with transformer can't supply of 3-wire low voltage thermostats.

³ "Off" position.











Add "BL" for white, "CM" for metallic charcoal.

Optional colors shown in the color chart section are available upon request.

Other voltages available upon request.

Electronic Thermostats

Models

Product #	Description
 OTH2750 ¹	Non programmable electronic proportional pulsing line voltage thermostat (10-minute or 15-second cycle) 2750W at 240V, 2390W at 208V and 1380W at 120V
 OTH2750P ¹	Programmable electronic proportional pulsing line voltage thermostat (10-minute or 15-second cycle) 2750W at 240V, 2390W at 208V and 1380W at 120V
 OTH4000 ¹	Non programmable electronic proportional pulsing line voltage thermostat (10-minute or 15-second cycle) 4000W at 240V, 3465W at 208V and 2000W at 120V
 OTH4000P ¹	Programmable electronic proportional pulsing line voltage thermostat (10-minute or 15-second cycle) 4000W at 240V, 3465W at 208V and 2000W at 120V
 OTH5007 ²	Non programmable electronic proportional pulsing line voltage thermostat (10-minute or 15-second cycle) 5000W at 347V and 4000W at 277V
 OTH5007P ²	Programmable electronic proportional pulsing line voltage thermostat (10-minute or 15-second cycle) 5000W at 347V and 4000W at 277V
 OTH824	Low voltage electronic thermostat (15-minute or 15-second cycle) 24V
 OTH800D	Double-pole line voltage electronic thermostat (15-minute cycle) 3600W at 240V and 3120W at 208V
 TH115-AF-024T/U	Programmable electronic low voltage thermostat (15-minute cycle) 0.5A at 24V
 TH115-A-024T-15S ³	Programmable electronic low voltage thermostat (15-second cycle) 0.5A at 24V

¹ Training available online www.ouellet.com.


² Commercial use only.

³ Floor sensor not included.

Standard color is white.

Programmable Battery-Powered Electronic Thermostat (low or line voltage)


Model

Product #	Volts	Volts	Description
 TH140-28-01-B	24/120/240	5A (resistive) 2A (inductive)	Programmable battery-powered electronic thermostat

Standard color is white.

Mechanical Low Voltage Thermostat



Model

Product #	Range	Description
 T822K1018	50 °F to 90 °F	Mechanical low voltage thermostat, Fahrenheit

Standard color is white.

Mechanical Line Voltage Thermostats

Models

Product #	Range	Power	Description
 OTL101F	41 °F to 80 °F	19A at 277V 22A at 120/208/240V	Mechanical line voltage thermostat, single-pole, single-throw
 OTL102F	41 °F to 80 °F	19A at 277V 22A at 120/208/240V	Mechanical line voltage thermostat, double-pole, single-throw

Standard color is white.

Low Voltage Relays

On/Off Relays Models



Product #	Volts, 60 Hz	Resistive Charge (A)
Without transformer		
RC840	120/208/240	22
	347	18
R841D1036/U	600	10
With transformer		
24A05A-1	120	25
RC840T-240	208/240	22
RC840T-347	347	18
R841C1151	600	10

NOTE: Not recommended for fast-cycling modulated regulation (more than 6 cycles/hr).
 For fast-cycling heating equipment. Solid State Relay.
 Meant for external installation only. For installation inside heaters, refer to the options table of the concerned product series.

Triac Relays Models






Product #	Volts, 60 Hz	Resistive Charge (A)	Input Signal
Without transformer			
RT850	120/208/240/347	23	4-32VDC, 24VAC
CCT-25-1-C1	208/240/347	25	24VAC
CCT-30-1-C2	48-600	30	3-32VDC, 24VAC
With transformer			
RT850T-240	208/240	23	24VAC
RT850T-347	347	23	24VAC
CCT-25-1-C2-T	208/240/347	25	24VAC

NOTE: Meant for external installation only. For installation inside heaters, refer to the options table of the concerned product series.

Universal Guards

Models

Product #	Description
 F29-0143	Clear plastic thermostat guard Inside dimension: 6 3/8 in. (length), 3 1/2 in. (height), 3 in. (depth)
 F29-0198	Clear plastic thermostat guard Inside dimension: 8 1/4 in. (length), 5 3/8 in. (height), 3 1/2 in. (depth)
 F29-0193	Metal thermostat guard Inside dimension: 6 in. (length), 3 13/16 in. (height), 3 1/8 in. (depth)

THRF Wireless Thermostat and Relay Module for Heaters



Training available online www.ouellet.com



Features

Type

- THRF-K: Relay module, wireless antenna and battery-powered wireless thermostat.
- THRF-M: Relay module and wireless antenna.

Note: Must be ordered with Ouellet RBH Series, factory installed only. See how to order on page 3.

Color

- Standard: white.

Thermostat power source

- Battery-powered, 2 alkaline batteries 1.5V: LR6 or AA (included).

Module power source

- 120/208/240V, 50/60 Hz.

Power Module

- Maximum resistive load: 12.5A at 120/208/240V.
- Minimum resistive load: 0.4A at 120/208/240V.
- Maximum of 8 relays per thermostat.

Control

- 15 minute cycles.
- Precision: ± 0.5 °C (1 °F).
- Resolution: Standard 0.5 °C (1 °F).

Display range

- 0 °C to 40 °C (32 °F to 104 °F).

Temperature range

- 5 °C to 30 °C (41 °F to 86 °F).

Program

- Choice of programmable (factory setting) or non programmable mode.
- Programming: 7 day, 5+2 day or by day, with 4 settings per day.
- Custom schedule programming.

Display

- Digital display screen with LED backlit.
- Displays room temperature, temperature setting and heating intensity (in continuous). Time and date and the programming period (in programmable mode). Outdoor temperature (with optional outdoor sensor).

Mode

- Automatic, Permanent, Hold, Countdown.

Additional features

- Temperature display format (°C or °F); Time display format (12h or 24h).
- Adaptive proportional control (in programmable mode).

Installation

- Factory installed relay module and wireless antenna.

Application

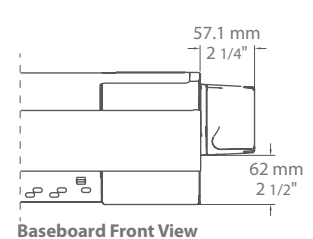
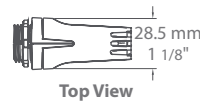
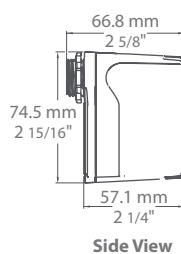
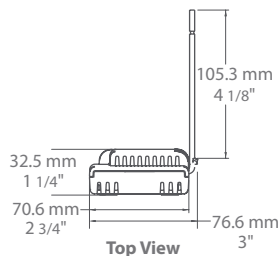
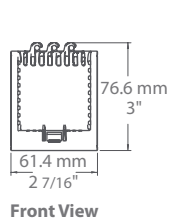
- Wireless control for Ouellet convection heating systems.

Warranty

- 3-year warranty against defects.

Options

Product #	Description	Factory Installed	Kit
C7089R1013	Battery-powered wireless outdoor-air sensor for THRF-K kit	-	✓
REM5000R1001	Portable comfort remote control for heaters connected to the THRF-K kit	-	✓



OVB-SP Slim Profile Fans

New



AP90-SG6W / VSF110D-SG6W

VSF110DMH-SG6W



Features

Sound level

- From 0.3 to 1.2 Sones (see models).

Flow

- From 80 to 140 cfm (see models).

Voltage

- 120V, 60 Hz, 1-phase.

Grille

- Standard color: white.
- Flush mount oversize grille covers more of rough area.
- Low maintenance, no discoloration with wipe clean finish.

Housing

- Slim profile housing design to fit 2 in. x 6 in. or 2 in. x 8 in. construction.
- Detachable 4 in. and 6 in. polymer air outlet duct connector.
- Rugged 26-gauge galvanized steel body.
- Built-in damper to prevent backdraft.

Motor/fan

- AP90: AC motor with permanent split capacitor and built-in overload protection.
- VSF110: DC brushless motor totally enclosed with built-in overload protection rated for continuous operation.

- Permanently lubricated ball-bearing motors (DC and AC).

- Centrifugally balanced wheel fan for ultra-quiet efficient operation.

Control

- Standard 120V control circuit.
- VSF110D: 4 different airflow settings (cfm) adjustable with DIP switch.
- VSF110DMH: 4 different airflow settings (cfm) adjustable with DIP switch. Dual sensor (motion and humidity) triggers the fan to preset speed. Adjustable built-in delay timer from 3 to 30 minutes.

Installation

- Designed and approved for recessed installation in insulated ceiling or on the wall.
- Installation with included adjustable mounting bracket up to 24 in. span.
- Internal junction box with wire knock-out on two sides.
- ETL listed for tub/shower enclosure when used with a GFCI protected circuit.

Warranty

- 6-year warranty against defects.

Application

- Bathroom, shower, inside spa and pool.

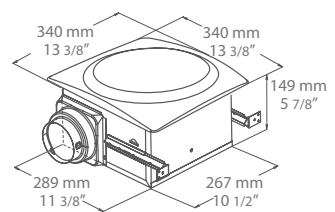
Models

Product #	Duct in.	cfm	Sones	Capacity sq. ft.	Watts	Control	Motor	Weight		Energy Star
								lb	kg	
AP90-SG6W	4	90	0.7	90	33.0	-	AC	9	4	✓
	6	90	0.3	90	25.0					
VSF110D-SG6W	4	80/90/110/120	0.7/0.7/1.0/1.2	80-120	5.5/7.0/11.5/13.0	-	DC	9	4	✓
	6	90/110/120/140	0.3/0.5/0.8/1.1	90-140	5.5/10.0/11.5/14.5					
VSF110DMH-SG6W	4	80/90/110/120	0.7/0.7/1.0/1.2	80-120	5.5/7.0/11.5/13.0	See note ^{1,2}	DC	10	4.5	✓
	6	90/110/120/140	0.3/0.5/0.8/1.1	90-140	5.5/10.0/11.5/14.5					

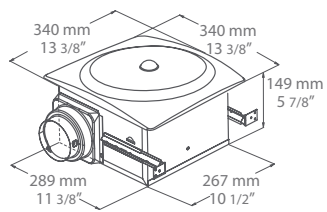
¹ Dual sensor (motion and humidity) triggers the fan to preset speed.

² Adjustable built-in delay timer from 3 to 30 minutes.

Static pressure at 0.1 in. water gauge.



AP90-SG6W / VSF110D-SG6W



VSF110DMH-SG6W

OVB-FC Fan 'n' can Spotlight

New



Aero Pure



For Energy Star qualified model, GU24 (2-pin) receptacle adaptor must be ordered separately (see options).

Features

Sound level

- 1.0 Sones.

Flow

- 80 cfm.

Light

- E26 socket for R30 shaped CFL or LED bulb (not included).

Voltage

- 120V, 60 Hz, 1-phase.

Grille

- Standard color: white.
- Flush ceiling mount, white collar to fit recessed bulb.
- Low maintenance, no discoloration with wipe clean finish.

Housing

- Small depth housing profile design to fit 2 in. x 8 in. ceiling construction.
- Rust-proof paint on a sturdy 26-gauge steel body.
- 5 in. to 4 in. metallic air outlet duct connector.
- Built-in damper to prevent backdraft.

Motor/fan

- AC motor with enclosed condenser and thermal shut-off.
- Permanently lubricated ball-bearing motor.
- Centrifugally balanced wheel fan for ultra-quiet efficient operation.

Control

- Standard 120V control circuit.
- The fan and light can be wired separately.
- Optional controls and adaptor available (see options).

Installation

- Designed and approved for recessed installation in insulated ceiling.
- Installation with included adjustable mounting bracket up to 24 in. span.
- Internal junction box with wire knock-out on two sides.
- ETL listed for tub/shower enclosure when used with a GFCI protected circuit in combination with PAR30L bulb only.

Warranty

- 6-year warranty against defects.

Application

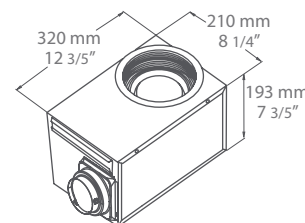
- Bathroom, shower, inside spa and pool.

Model

Product #	cfm	Sones	Capacity sq. ft.	Duct in.	Watts	Socket E26 ¹ (Bulb not included)	Weight		Energy Star
							lb	kg	
AP80-RVL	80	1.0	80	5 to 4 in. connector	18.0	For R30 shaped CFL or LED bulb	10	4.5	✓ ²

Options

Product #	Description	Factory Installed	Kit
ADP-GU24	GU24 (2-pin) bulb adapter for Energy Star compliance	-	✓
AP100-MAT	Wall motion sensor	-	✓
AP100-MCS	Wall dehumidistat	-	✓
AP515-SW	3-button 1-gang wall switch	-	✓

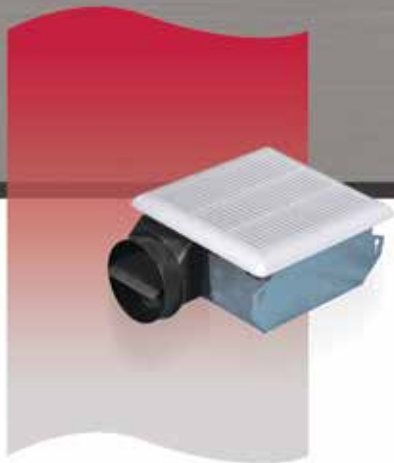


¹ ETL listed for tub/shower enclosure when used with a GFCI protected circuit in combination with PAR30L bulb only.

² For Energy Star qualified model, GU24 (2-pin) receptacle adaptor must be ordered separately (see options). Static pressure at 0.1 in. water gauge.

OVB-CM Contractor Model Fan

New



Features

Sound level

- 3.4 Sones.

Flow

- 50 cfm.

Voltage

- 120V, 60 Hz, 1-phase.

Grille

- Standard color: white.
- Flush mount grille.

Housing

- Small depth 26-gauge galvanized steel body.
- Detachable 4 in. polymer air outlet duct connector.
- Built-in damper to prevent backdraft.

Motor/fan

- AC motor with thermal shut-off.
- Permanently lubricated ball-bearing motor.
- Centrifugally balanced wheel fan for efficient operation.

Control

- Standard 120V control circuit.
- Wall motion sensor and wall dehumidistat available (see options).

Installation

- Designed and approved for recessed installation in insulated ceiling.
- ETL listed for tub/shower enclosure when used with a GFCI protected circuit.
- Installation on the ceiling joist or on the wall.

Warranty

- 6-year warranty against defects.

Application

- Bathroom, shower.

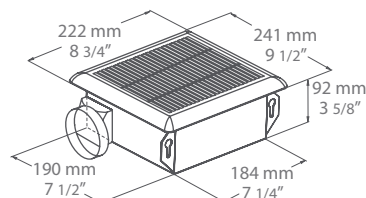
Models

Product #	cfm	Sones	Capacity sq. ft.	Duct in.	Watts	Contractor Pack	Weight	
							lb	kg
AP50-S	50	3.4	50	4	35	-	4	1.8
AP50-S/B6	50	3.4	50	4	35	Box of 6 complete fans	25	11

Options

Product #	Description	Factory Installed	Kit
AP100-MAT	Wall motion sensor	-	✓
AP100-MCS	Wall dehumidistat	-	✓

Static pressure at 0.1 in. water gauge.



OVB-QS Quiet - Super Quiet Fans

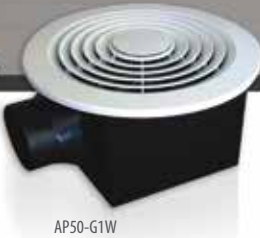
New 6-year warranty



SBF80-G2W / SBF110-G2W



AP70-G2W / AP110-G2W



AP50-G1W



Aero Pure



(except AP50-G1W)

Features

Sound level

- From <0.3 to 2.0 Sones (see models).

Flow

- From 50 to 110 cfm (see models).

Voltage

- 120V, 60 Hz, 1-phase.

Grille

- Standard color: white.
- Flush mount large grille covers more of rough area.
- Low maintenance, no discoloration with wipe clean finish.
- Optional decorator grilles available.

Housing

- Rust-proof paint on a sturdy 24-gauge steel body.
- 4 in. metallic air outlet duct connector.
- Built-in damper to prevent backdraft.
- Resilient plastic motor and fan assembly for vibration-free operation.

Motor/fan

- AC motor with enclosed condenser and thermal shut-off.
- Permanently lubricated ball-bearing motor.
- Centrifugally balanced wheel fan for ultra-quiet efficient operation.

Control

- Standard 120V control circuit.
- Wall motion sensor and wall dehumidistat available (see options).

Installation

- Designed and approved for recessed installation in insulated ceiling (Type I.C.).
- Installation on the ceiling joist with adjustable mounting bracket (included).
- Large removable junction box and duct support for ease of installation.
- Three wire knock-outs on junction box (top, side and bottom).
- UL listed for tub/shower enclosure when used with a GFCI protected circuit.

Warranty

- 6-year warranty against defects.

Application

- Bathroom, shower, inside spa and pool.

OVB-QS

Quiet Models



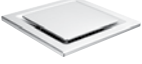
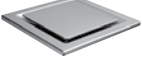


Product #	cfm	Sones	Capacity sq. ft.	Duct in.	Watts	Weight		Energy Star	CA Title 24	Optional Grilles
						lb	kg			
AP50-G1W ¹	50	1.1	50	4	23.6	8	3.6	-	✓	-
AP70-G2W	70	1.0	70	4	30.0	11	5.5	✓	✓	G4-G5-G6
AP110-G2W	110	2.0	110	4	35.4	11	5.5	✓	✓	G4-G5-G6

Super Quiet Models

Product #	cfm	Sones	Capacity sq. ft.	Duct in.	Watts	Weight		Energy Star	CA Title 24	Optional Grilles
						lb	kg			
SBF80-G2W	80	<0.3	80	4	23.4	13	5.9	✓	✓	G4-G5-G6
SBF110-G2W	110	0.7	110	4	28.1	15	6.8	✓	✓	G4-G5-G6

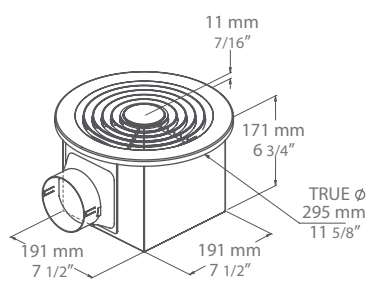
¹ Optional grilles not available for AP50 model.
Static pressure at 0.1 in. water gauge.

Optional Grilles

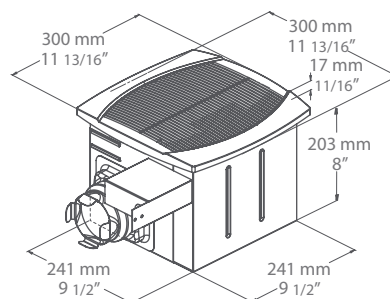
Product #	Description	Factory Installed	Kit
 FA-G4W	Optional grille for bath fan, square/rectangular white	-	✓
FA-G4W/B5	Box of 5 grilles FA-G4W	-	✓
 FA-G4S	Optional grille for bath fan, square/rectangular silver with stainless steel center plate	-	✓
FA-G4S/B5	Box of 5 grilles FA-G4S	-	✓
 FA-G5W	Optional grille for bath fan, square/square white	-	✓
FA-G5W/B5	Box of 5 grilles FA-G5W	-	✓
 FA-G5S	Optional grille for bath fan, square/square silver with stainless steel center plate	-	✓
FA-G5S/B5	Box of 5 grilles FA-G5S	-	✓
 FA-G6W	Optional grille for bath fan, square/round white	-	✓
FA-G6W/B5	Box of 5 grilles FA-G6W	-	✓
 FA-G6S	Optional grille for bath fan, square/round silver with stainless steel center plate	-	✓
FA-G6S/B5	Box of 5 grilles FA-G6S	-	✓

Options

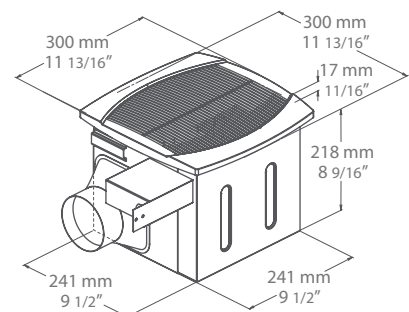
Product #	Description	Factory Installed	Kit
AP100-MAT	Wall motion sensor	-	✓
AP100-MCS	Wall dehumidistat	-	✓



AP50-G1W



AP70-G2W / AP110-G2W



SBF80-G2W / SBF110-G2W

OVB-LN Fan - Light - Night Light

New 6-year warranty



SBF80-L1W / SBF110-L1W



AP80-L2W / AP100-L2W



AP50-L1W



Aero Pure



(except AP50-L1W)

Features

Sound level

- From 0.4 to 2.0 Sones (see models).

Flow

- From 50 to 110 cfm (see models).

Light

- 26W CFL bulb included (AP50: 35W halogen).

Night light

- 4W incandescent bulb included (except AP50).

Voltage

- 120V, 60 Hz, 1-phase.

Grille

- Standard color: white.
- Flush mount large grille covers more of rough ceiling area.
- Low maintenance, no discoloration with wipe clean finish.

Housing

- Rust-proof paint on a sturdy 24-gauge steel body.
- 4 in. metallic air outlet duct connector.
- Built-in damper to prevent backdraft.
- Resilient plastic motor and fan assembly for vibration-free operation.

Motor/fan

- AC motor with enclosed condenser and thermal shut-off.
- Permanently lubricated ball-bearing motor.
- Centrifugally balanced wheel fan for ultra-quiet efficient operation.

Control

- Standard 120V control circuit.
- The fan, light and night light can be wired separately.
- Wall motion sensor and wall dehumidistat available (see options).

Installation

- Designed and approved for recessed installation in insulated ceiling (Type I.C.).
- Installation on the ceiling joist with adjustable mounting bracket (included).
- Large removable junction box and duct support for ease of installation.
- Three wire knock-outs on junction box (top, side and bottom).
- UL listed for tub/shower enclosure when used with a GFCI protected circuit.

Warranty

- 6-year warranty against defects.
- 4-year warranty on CFL bulb. All others bulbs: No warranty.

Application

- Bathroom, shower, inside spa and pool.

OVB-LN

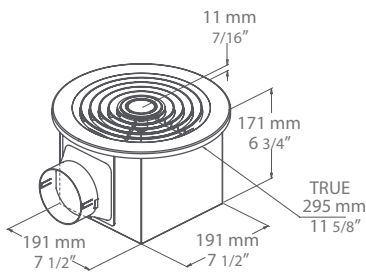
Models

Product #	cfm	Sones	Capacity sq. ft.	Duct in.	Watts	Light	Night Light	Weight		CA Title 24
								lb	kg	
AP50-L1W	50	1.1	50	4	21.9	HAL 35W	-	8	3.6	-
AP80-L2W	80	2.0	80	4	24.0	CFL 26W	INC 4W	11	5.0	✓
AP100-L2W	100	2.0	100	4	34.7	CFL 26W	INC 4W	13	5.9	✓
SBF80-L1W	80	0.4	80	4	23.7	CFL 26W	INC 4W	13	5.9	✓
SBF110-L1W	110	1.3	110	4	29.4	CFL 26W	INC 4W	15	6.8	✓

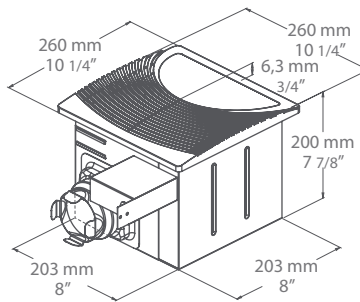
Options

Product #	Description	Factory Installed	Kit
AP100-MAT	Wall motion sensor	-	✓
AP100-MCS	Wall dehumidistat	-	✓
AP515-SW	3-button 1-gang wall switch	-	✓

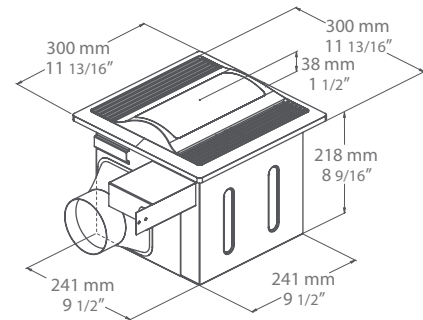
Static pressure at 0.1 in. water gauge.



AP50-L1W



AP80-L2W / AP100-L2W



SBF80-L1W / SBF110-L1W

OVB-HL Fan - Heat - Light



Aero Pure  

Features

Sound level

- From 1.0 to 1.2 Sones (see models).

Flow

- From 80 to 90 cfm (see models).

Heat

- 270W infrared anti-blast bulbs included.

Light

- 60W incandescent bulb included.

Voltage

- 120V, 60 Hz, 1-phase.

Grille

- Standard colors: white, silver.
- Flush mount large grille covers more of rough ceiling area.
- Low maintenance, no discoloration with wipe clean finish.

Housing

- Rust-proof paint on a sturdy 24-gauge steel body.
- 4 in. metallic air outlet duct connector.
- Built-in damper to prevent backdraft.
- Resilient plastic motor and fan assembly for vibration-free operation.

Motor/fan

- AC motor with enclosed condenser and thermal shut-off.
- Permanently lubricated ball-bearing motor.
- Centrifugally balanced wheel fan for ultra-quiet efficient operation.

Control

- Wall switch included with the fan (see models).
- Standard 120V control circuit.
- The fan, heat, light can be wired separately.

Installation

- Designed and approved for recessed installation in insulated ceiling (Type I.C.).
- Installation on the ceiling joist with adjustable mounting bracket (included).
- Do not install directly over tub/shower.

Warranty

- 4-year warranty against defects.
- 4-year warranty on infrared bulbs. All others bulbs: No warranty.

Application

- Bathroom, inside spa and pool.

OVB-HL

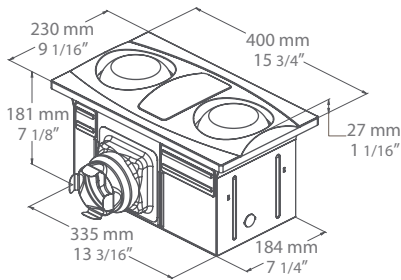
Models

Product #	cfm	Sones	Capacity sq. ft.	Duct in.	270W Heat bulb	Watts	Weight		Color	Wall switch Included
							lb	kg		
A515A-W	80	1.0	80	4	2	610	11	5.0	White	AP515-SW
A515A-S	80	1.0	80	4	2	610	11	5.0	Silver	AP515-SW
A716R-W ¹	90	1.2	90	4	4	1160	17	7.7	White	AP716-SW
A716A-MC ¹	90	1.2	90	4	4	1160	17	7.7	Matte Silver/ Chrome	AP716-SW

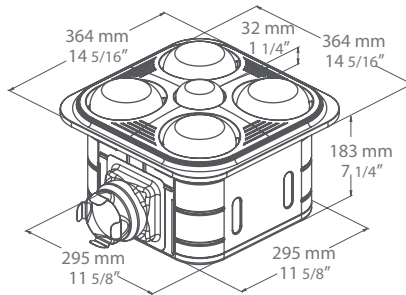
Options

Product #	Description	Factory Installed	Kit
AP270A	Infrared anti-blast bulb 270W for model A515-A716	-	✓
AP515-60	Light bulb 60W for model A515	-	✓
AP716-60	Light bulb 60W for model A716	-	✓
AP515-SW	3-button 1-gang wall switch	-	✓
AP716-SW	4-button 2-gang wall switch	-	✓
AP100-MAT	Wall motion sensor	-	✓
AP100-MCS	Wall dehumidistat	-	✓

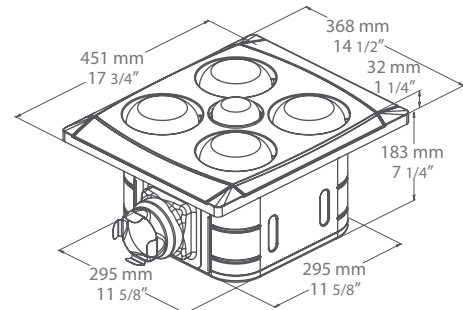
¹ Require a dedicated 10A electric circuit.
Static pressure at 0.1 in. water gauge.



A515A-W / A515A-S



A716R-W



A716A-MC

OVS Residential Wall Heater



Features

Color

- Standard: white, almond.
- Optional: metallic silver, bronze, metallic charcoal, textured black, beige-grey, aluminum, semi-gloss black.
- Custom colors available upon request.

Finish

- Standard: epoxy/polyester powder paint.

Voltage

- 120V, 208V, 240/208V, 1-phase.

Construction

- 20-gauge steel cabinet.
- 22-gauge steel front cover.
- High-limit temperature control with automatic reset.

Fan

- Quiet fan operating.
- 500W to 1000W; 40 cfm fan and 1250W to 2000W; 80 cfm fan.
- Factory-lubricated motor.

Heating element

- Durable tubular heating element with fins.
- Factory sealed element upon request.

Control

- Built-in thermostat available with a control knob or tamperproof.

Note: If an electronic thermostat is used, it must be compatible with forced-air heaters.

Installation

- The air outlet should be installed at least 10 in. (25.4 cm) above floor.
- Quick installation with recess box mounting holes.
- Large wiring compartment.
- May be recessed in 2 in. X 3 in. stud partitions.
- Surface mounting box available.
- Tight fit with V-shaped recess box.

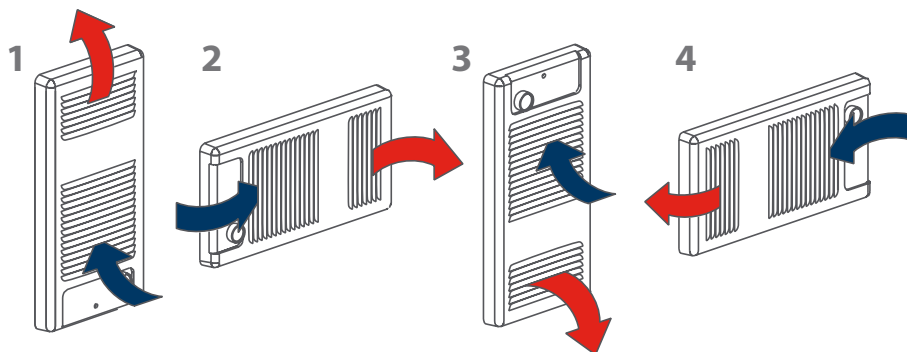
Warranty

- 1-year warranty against defects.

Application

- Entrance way, kitchen, bathroom, family room, basement.

Four mounting positions available. Pictures showing front panel. Directional vane air flow.



Product #	Volts	Watts	Weight	
			lb	kg
OVSU0502	120	500	9.0	4.1
OVSU0752	120	750	9.0	4.1
OVSU1002	120	1000	9.0	4.1
OVSU1252	120	1250	9.0	4.1
OVSU1502	120	1500	9.0	4.1
OVSU0500	240/208	500/375	9.0	4.1
OVSU0750	240/208	750/563	9.0	4.1
OVSU1000	240/208	1000/750	9.0	4.1
OVSU1250	240/208	1250/938	9.0	4.1
OVSU1500	240/208	1500/1125	9.0	4.1
OVSU2000	240/208	2000/1500	9.0	4.1
OVSU2008	208	2000	9.0	4.1

Options

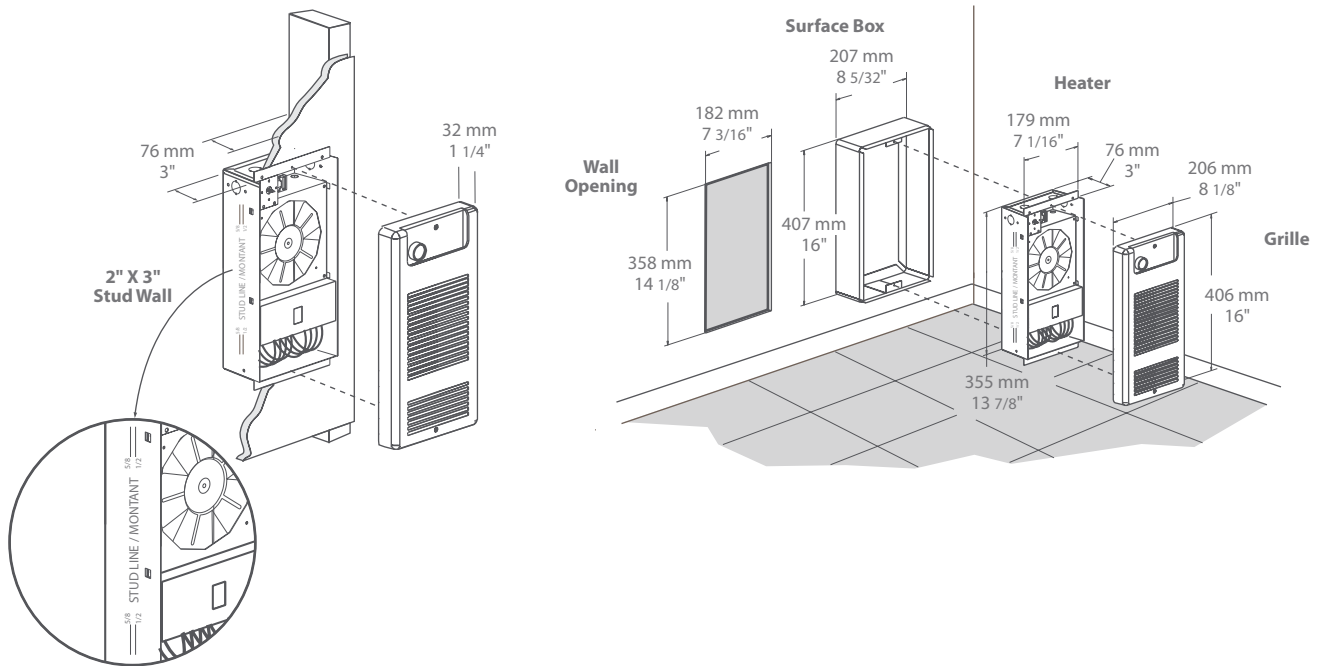
Product #	Description	Factory Installed	Kit
OVS-BS	Surface mounting box	-	✓
OVS-DIS	Disconnect switch, 20A at 277V max.	✓	✓
OVS-ES ¹	Factory sealed element	✓	-
OVS-TB6	Single-pole bi-metal thermostat	✓	✓
OVS-TB26 ²	Double-pole bi-metal thermostat	✓	✓
OVS-TB6-AV	Single-pole bi-metal tamperproof thermostat	✓	✓
OVS-TB26-AV ²	Double-pole bi-metal tamperproof thermostat	✓	✓

¹The option "sealed element" increases the reliability of these in humid environments. It does not completely eliminate the leakage currents of metal sheathed heating elements.

²"Off" position.

Add "BL" for white, "AM" for almond.

Optional colors shown in the color chart section are available upon request.



OVR Residential Register Heater



Features

Color

- Standard: white, almond.
- Optional: metallic silver, bronze, metallic charcoal, textured black, beige-grey, aluminum, semi-gloss black.
- Custom colors available upon request.

Finish

- Standard: epoxy/polyester powder paint.

Voltage

- 120V, 208V, 240/208V, 1-phase.

Construction

- 20-gauge steel.
- High-limit temperature control with automatic reset.

Fan

- Quiet fan operating.
- 500W to 1000W; 40 cfm fan and 1250W to 2000W; 80 cfm fan.
- Factory-lubricated motor.

Heating element

- Durable tubular heating element with fins.
- Factory sealed element upon request.

Control

- Built-in thermostat available with a control knob or tamperproof.

Note: If an electronic thermostat is used, it must be compatible with forced-air heaters.

Installation

- The air outlet should be installed at least 10 in. (25.4 cm) above floor.
- Quick installation with recess box mounting holes.
- Large wiring compartment.
- May be recessed in 2 in. x 3 in. stud partitions.
- Surface mounting box available.
- Tight fit with V-shaped recess box.

Warranty

- 1-year warranty against defects.

Application

- Entrance way, kitchen, bathroom, family room, basement.

OVR

Models

Product #	Volts	Watts	Weight	
			lb	kg
OVRU0502	120	500	9.0	4.1
OVRU0752	120	750	9.0	4.1
OVRU1002	120	1000	9.0	4.1
OVRU1252	120	1250	9.0	4.1
OVRU1502	120	1500	9.0	4.1
OVRU0500	240/208	500/375	9.0	4.1
OVRU0750	240/208	750/563	9.0	4.1
OVRU1000	240/208	1000/750	9.0	4.1
OVRU1250	240/208	1250/938	9.0	4.1
OVRU1500	240/208	1500/1125	9.0	4.1
OVRU2000	240/208	2000/1500	9.0	4.1
OVRU2008	208	2000	9.0	4.1

Options

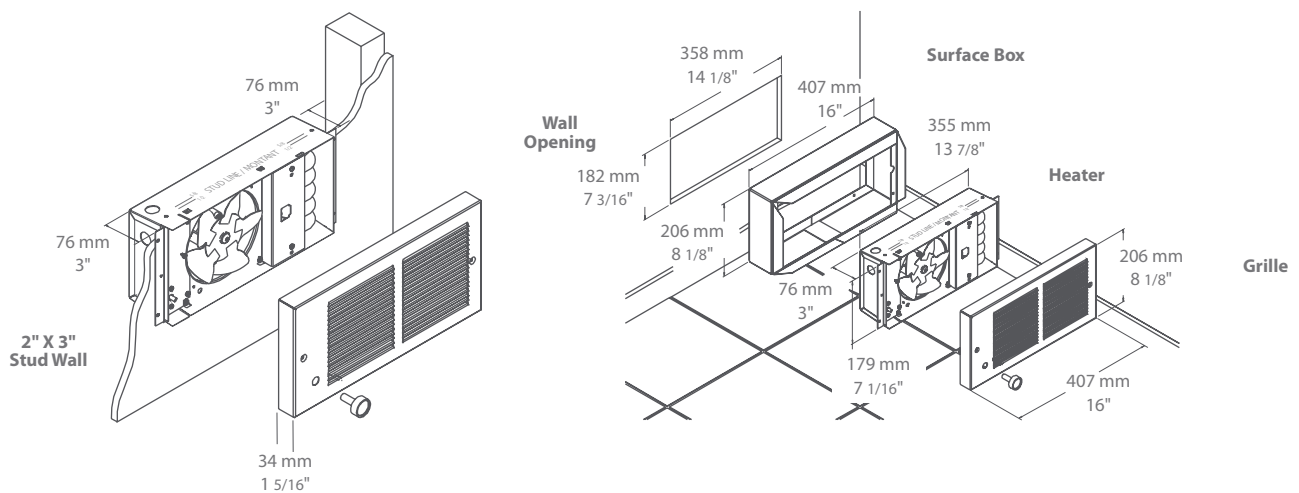
Product #	Description	Factory Installed	Kit
OVR-BS	Surface mounting box	-	✓
OVR-DIS	Disconnect switch, 20A at 277V max.	✓	✓
OVR-ES ¹	Factory sealed element	✓	-
OVR-TB6	Single-pole bi-metal thermostat	✓	✓
OVR-TB26 ²	Double-pole bi-metal thermostat	✓	✓
OVR-TB6-AV	Single-pole bi-metal tamperproof thermostat	✓	✓
OVR-TB26-AV ²	Double-pole bi-metal tamperproof thermostat	✓	✓

¹ The option "sealed element" increases the reliability of these in humid environments. It does not completely eliminate the leakage currents of metal sheathed heating elements.

² "Off" position.

Add "BL" for white, "AM" for almond.

Optional colors shown in the color chart section are available upon request.



OAC Commercial Wall Heater



1



2



3



4



5

Features

Color

- Standard: white, almond.
- Optional: metallic silver, bronze, metallic charcoal, textured black, beige-grey, aluminum, semi-gloss black (10% upcharge).
- Custom colors available upon request.

Finish

- Standard: epoxy/polyester powder paint.

Voltage

- 120V, 208V, 240/208V, 277V, 347V, 480V, 600V, 1 or 3-phase.

Construction

- 18-gauge steel front cover. 1
- Bottom air outlet.
- High-limit temperature control with automatic reset.

Fan

- Closed, factory-lubricated motor. 2
- 160 cfm fan (single unit: 55 dBA); 2 X 160 cfm fan (double unit: 58 dBA); 3 X 160 cfm fan (triple unit: 61 dBA).
- Fan delay purges heater of residual heat.

Heating element

- Durable tubular heating element with fins. 3

Control

- Built-in thermostat included with control knob or tamperproof. 4
- 24V relay, with or without transformer available.

Note: Thermostat is not included in heater with factory installed relay. Any remote thermostat or relay must be connected to the heater control terminal block.

Installation

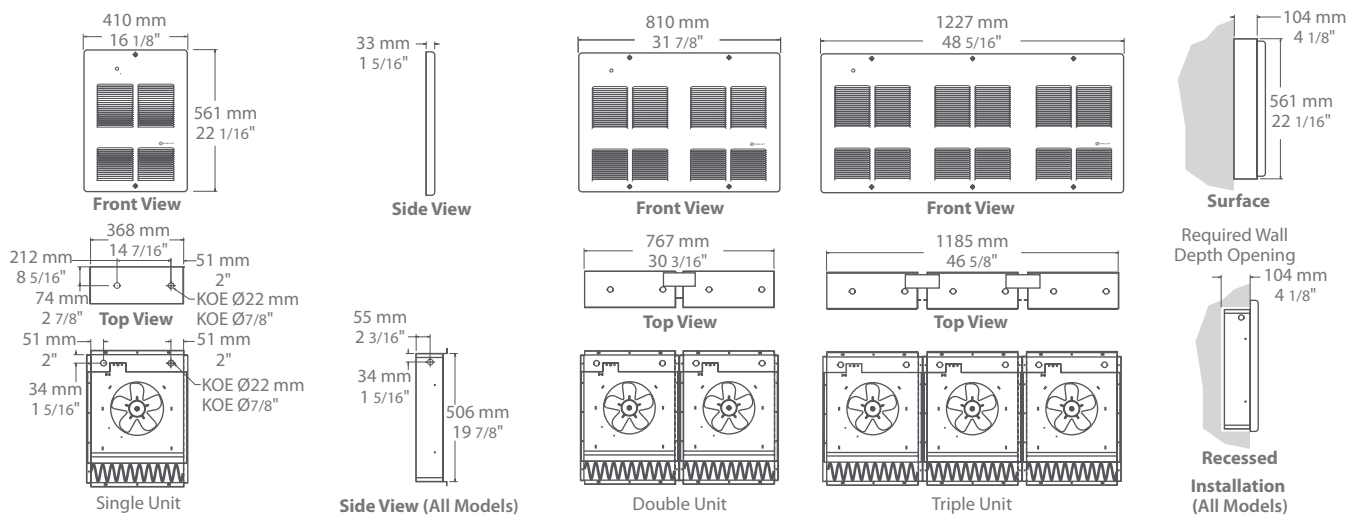
- Minimum clearance from the floor and adjacent walls: 10 in. (25.4 cm).
- Adaptor for surface mounting available. 5

Warranty

- 1-year warranty against defects.

Application

- Apartment building, commercial building, entrance way, stairwell, garage.



OAC

Models

Product # ¹	Volts (ph)	Watts	Weight		Unit
			lb	kg	
OACU01502	120 (1)	1500	24.0	10.9	single
OACU02008	208 (1)	2000	24.0	10.9	single
OACU04008	208 (1)	4000	24.0	10.9	single
OACU04808	208 (1)	4800	24.0	10.9	single
OACU06038	208 (3)	6000	90.0	40.9	triple
OACU08008	208 (1)	8000	50.0	22.7	double
OACU09038	208 (3)	9000	90.0	40.9	triple
OACU12008	208 (1)	12000	90.0	40.9	triple
OACU12038	208 (3)	12000	90.0	40.9	triple
OACU01500	240/208 (1)	1500/1125	24.0	10.9	single
OACU02000	240/208 (1)	2000/1500	24.0	10.9	single
OACU03000	240/208 (1)	3000/2250	24.0	10.9	single
OACU04000	240/208 (1)	4000/3000	24.0	10.9	single
OACU04800	240/208 (1)	4800/3600	24.0	10.9	single
OACU06000	240/208 (1)	6000/4500	50.0	22.7	double
OACU08000	240/208 (1)	8000/6000	50.0	22.7	double
OACU12000	240/208 (1)	12000/9000	90.0	40.9	triple
OACU01577	277 (1)	1500	28.0	12.7	single
OACU02077	277 (1)	2000	28.0	12.7	single
OACU03077	277 (1)	3000	28.0	12.7	single
OACU04077	277 (1)	4000	28.0	12.7	single
OACU04877	277 (1)	4800	28.0	12.7	single
OACU06077	277 (1)	6000	50.0	22.7	double
OACU08077	277 (1)	8000	50.0	22.7	double
OACU12077	277 (1)	12000	90.0	40.9	triple
OACU01504	480 (1)	1500	28.0	12.7	single
OACU02004	480 (1)	2000	28.0	12.7	single
OACU03004	480 (1)	3000	28.0	12.7	single
OACU04004	480 (1)	4000	28.0	12.7	single
OACU04804	480 (1)	4800	28.0	12.7	single
OACU06004	480 (1)	6000	50.0	22.7	double
OACU08004	480 (1)	8000	50.0	22.7	double
OACU12004	480 (1)	12000	90.0	40.9	triple
OACU12034	480 (3)	12000	90.0	40.9	triple

Options

Product #	Description	Factory Installed	Kit
OAC-BS1	Surface mounting box, single unit	-	✓
OAC-BS2	Surface mounting box, double unit	-	✓
OAC-BS3	Surface mounting box, triple unit	-	✓
OAC-DIS20	Disconnect switch, double-pole, 20A at 277V and less	✓	✓
OAC-DIS40	Disconnect switch, triple-pole, 40A at 600V max.	✓	✓
OAC-DIS80	Disconnect switch, triple-pole, 80A at 600V max.	✓	✓
OAC-IV	Fan switch	✓	-
OAC-O/O	On/Standby heating switch	✓	-
OAC-R	24V control relay, without transformer	✓	-
OAC-RT	24V control relay, with transformer	✓	-

¹ Built-in thermostat included.
Add "BL" for white, "AM" for almond. Optional colors shown in the color chart section are available upon request.

OAWH Forced-Air Architectural Wall Heater



Features

Color

- Standard: white, almond, metallic silver, bronze, metallic charcoal, textured black, beige-grey, aluminum, semi-gloss black.
- Custom colors available upon request.

Finish

- Standard: epoxy/polyester powder paint.
- Optional: anodized aluminum.

Voltage

- 120V, 208V, 240/208V, 277V, 347V, 480V, 600V, 1-phase.

Construction

- Extruded aluminum front grille, 1/8 in. (3.2 mm) thick. 1
- Bottom air outlet.
- High-limit temperature control with automatic reset.

Fan

- Closed, factory-lubricated motor.
- 160 cfm fan (single unit: 55 dBA); 2 X 160 cfm fan (double unit: 58 dBA), 3 X 160 cfm fan (triple unit: 61 dBA). 2
- Fan delay purges heater of residual heat.

Heating element

- Durable tubular heating element with fins. 3

Control

- Built-in tamperproof thermostat included. 4
- 24V relay, with or without transformer available.

Note: Thermostat is not included in heater with factory installed relay. Any remote thermostat or relay must be connected to the heater control terminal block.

Installation

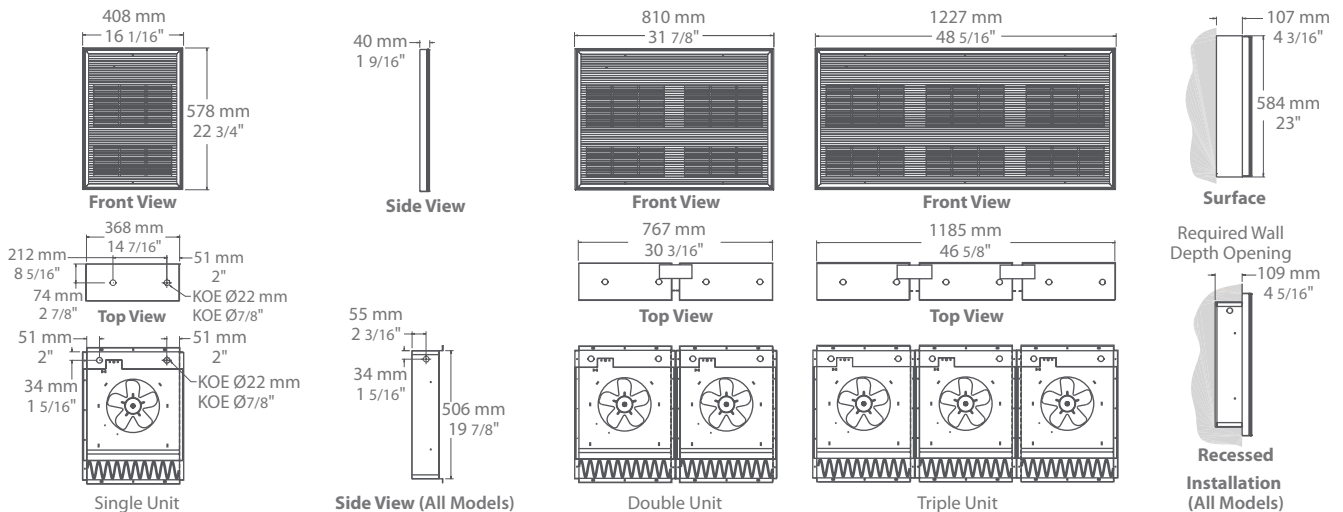
- Minimum clearance from the floor and adjacent walls: 10 in. (25.4 cm).
- Adaptor for surface mounting available.

Warranty

- 1-year warranty against defects.

Application

- Apartment building, commercial building, entrance way, stairwell, garage.



OAWH

Models

Product # ¹	Volts (ph)	Watts	Weight		Unit
			lb	kg	
OAWH01502	120 (1)	1500	24.0	10.9	single
OAWH02008	208 (1)	2000	24.0	10.9	single
OAWH04008	208 (1)	4000	24.0	10.9	single
OAWH04808	208 (1)	4800	24.0	10.9	single
OAWH06038	208 (3)	6000	90.0	40.9	triple
OAWH08008	208 (1)	8000	50.0	22.7	double
OAWH09038	208 (3)	9000	90.0	40.9	triple
OAWH12008	208 (1)	12000	90.0	40.9	triple
OAWH12038	208 (3)	12000	90.0	40.9	triple
OAWH01500	240/208 (1)	1500/1125	24.0	10.9	single
OAWH02000	240/208 (1)	2000/1500	24.0	10.9	single
OAWH03000	240/208 (1)	3000/2250	24.0	10.9	single
OAWH04000	240/208 (1)	4000/3000	24.0	10.9	single
OAWH04800	240/208 (1)	4800/3600	24.0	10.9	single
OAWH06000	240/208 (1)	6000/4500	50.0	22.7	double
OAWH08000	240/208 (1)	8000/6000	50.0	22.7	double
OAWH12000	240/208 (1)	12000/9000	90.0	40.9	triple
OAWH01577	277 (1)	1500	24.0	10.9	single
OAWH02077	277 (1)	2000	24.0	10.9	single
OAWH03077	277 (1)	3000	24.0	10.9	single
OAWH04077	277 (1)	4000	24.0	10.9	single
OAWH04877	277 (1)	4800	24.0	10.9	single
OAWH06077	277 (1)	6000	50.0	22.7	double
OAWH08077	277 (1)	8000	50.0	22.7	double
OAWH12077	277 (1)	12000	90.0	40.9	triple
OAWH01504	480 (1)	1500	28.0	12.7	single
OAWH02004	480 (1)	2000	28.0	12.7	single
OAWH03004	480 (1)	3000	28.0	12.7	single
OAWH04004	480 (1)	4000	28.0	12.7	single
OAWH04804	480 (1)	4800	28.0	12.7	single
OAWH06004	480 (1)	6000	50.0	22.7	double
OAWH08004	480 (1)	8000	50.0	22.7	double
OAWH12004	480 (1)	12000	90.0	40.9	triple
OAWH12034	480 (3)	12000	90.0	40.9	triple

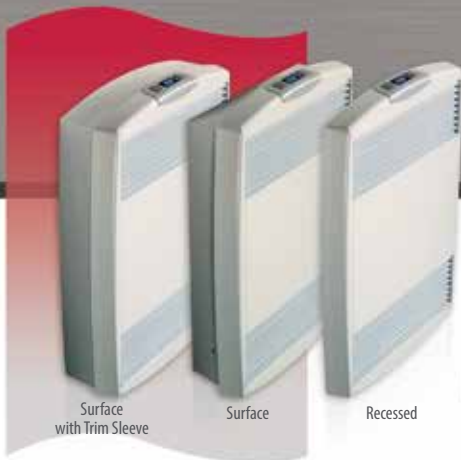
Options

Product #	Description	Factory Installed	Kit
OAWH-BSA	Surface mounting box, single unit	-	✓
OAWH-BSA2	Surface mounting box, double unit	-	✓
OAWH-BSA3	Surface mounting box, triple unit	-	✓
OAWH-DIS20	Disconnect switch, double-pole, 20A at 277V and less	✓	✓
OAWH-DIS40	Disconnect switch, triple-pole, 40A at 600V max.	✓	✓
OAWH-DIS80	Disconnect switch, triple-pole, 80A at 600V max.	✓	✓
OAWH-IV	Fan switch	✓	-
OAWH-R	24V control relay, without transformer	✓	-
OAWH-RT	24V control relay, with transformer	✓	-

¹ Built-in thermostat included.

Add "BL" for white, "AM" for almond, "AE" for metallic silver, "BG" for beige-grey, "BZ" for bronze, "CM" for metallic charcoal, "NR" for textured black, "AL" for aluminum, "NL" for semi-gloss black.

OHY Hybrid Convection and Forced-Air Wall Heater



Surface with Trim Sleeve

Surface

Recessed



1

2

3



Training available online www.ouellet.com

Features

Color

- Standard: white, almond.
- Optional: metallic silver, bronze, metallic charcoal, textured black, beige-grey, aluminum, semi-gloss black.
- Custom colors available upon request.

Finish

- Standard: epoxy/polyester powder paint.

Voltage

- 120V, 240V, 1-phase.

Construction

- Cast aluminum front cover.
- Steel bar grilles prevent the insertion of foreign objects; smooth-finish paint is washable and anti-yellowing.
- Automatic reset safety device.
- Built-in white LED night light. **1**

Fan

- Whisper-quiet squirrel-cage fan.
- Factory-lubricated motor.

Heating element

- Nichrome element provide instant heat.

Control

- Built-in electronic digital thermostat/timer. **2**
- Thermostat mode: pulse modulation: automatic convection to fan-forced switch-over at 1000W.
- Timer mode: 5-30 minutes full power fan-forced boost. **3**

Installation

- 4 in. (102 mm) minimum clearance to floor.
- May be recessed or surface-mounted with or without casted trim sleeve in 2 in. X 3 in. stud partitions.
- Mounting holes for ease of installation.
- Large wiring compartment.

Warranty

- 2-year warranty against defects.
- 5-year warranty on the heating element.

Application

- Bathroom, kitchen, family room, entrance way.

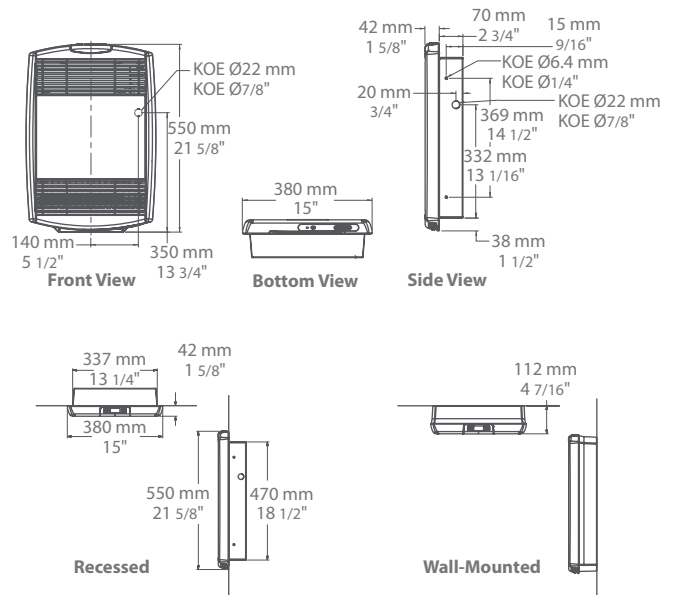
Models

Product #	Volts	Watts	Weight	
			lb	kg
OHYU1502	120	1500	22.75	10.3
OHYU2000 ¹	240	2000	22.75	10.3

Options

Product #	Description	Factory Installed	Kit
OHY-CM	Aluminum casted trim sleeve	-	✓
OHY-DIS	Disconnect switch, 20A at 250V	✓	✓

¹BEWARE: Not available for 208V.
Add "BL" for white, "AM" for almond.
Optional colors shown in the color chart section are available upon request.



OVN Fusion Forced-Air Wall Heater



Surface

Recessed



Training available online www.ouellet.com

Features

Color

- Standard: white, almond.
- Optional: metallic silver, bronze, metallic charcoal, textured black, beige-grey, aluminum, semi-gloss black.
- Custom colors available upon request.

Finish

- Standard: epoxy/polyester powder paint.

Voltage

- 120V, 240/208V, 1-phase.

Construction

- Cast aluminum front cover.
- Steel bar grilles prevents the insertion of foreign objects; smooth-finish paint is washable and anti-yellowing.
- High-limit temperature control with automatic reset.

Fan

- Whisper-quiet squirrel-cage fan.
- Factory-lubricated, two-speed motor.

Heating element

- Heating element provides instant heat.

Control

- Built-in electronic digital thermostat/timer with backlit display that can be used as a night light.
- Electronic thermostat with 2 triacs automatically switches from 750W to 1500W when needed.
- Electronic boost heating mode: 1-30 minutes.
- Standby mode, ideal for cottages.
- Keypad lock function that eliminates unwanted temperature adjustments and the use of the thermostat modes.

Installation

- 4 in. (102 mm) minimum clearance to floor.
- May be recessed or surface-mounted without adaptor in 2 in. X 3 in. stud partitions with gypsum.
- Single-screw built-in wire holder and mounting holes for fast and easy installation.
- Template included.

Warranty

- 2-year warranty against defects.
- 5-year warranty on the heating element.

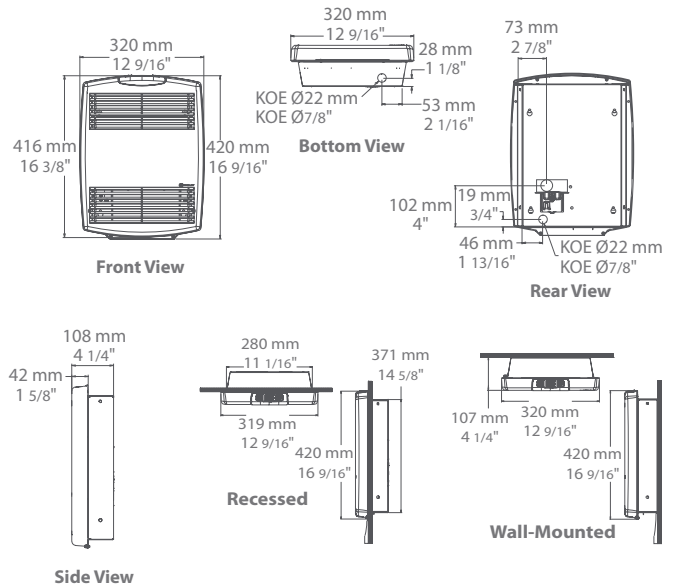
Application

- Bathroom, kitchen, living room, entrance way.

Models

Product # ¹	Volts	Watts		Weight	
		min.	max.	lb	kg
OVNU1502	120	750	1500	16.3	7.4
OVNU1500	240/208	750/563	1500/1125	16.3	7.4

¹ Built-in disconnect switch included.
Add "BL" for white, "AM" for almond.
Optional colors shown in the color chart section are available upon request.



OVE Source European-Style Wall Heater



Features

Color

- Standard: white, almond.
- Optional: metallic silver, bronze, metallic charcoal, textured black, beige-grey, aluminum, semi-gloss black.
- Custom color available upon request.

Finish

- Standard: epoxy/polyester powder paint.
- Optional: stainless steel (grilles and back of the heater are painted black).

Voltage

- 120V, 240/208V, 1-phase.

Construction

- 20-gauge steel or 22-gauge stainless steel.
- Outlet-grille efficiently distributes warm air throughout the heated area.
- Bar grilles prevent insertion of foreign objects; smooth-finish paint is washable and anti-yellowing.
- High-limit temperature control with automatic reset.

Fan

- Whisper-quiet squirrel-cage fan.
- Factory-lubricated, two-speed motor.

Heating element

- Element provides instant heat.

Control

- Two-stage bulb thermostat (T and TM models) automatically switches from 750W to 1500W when needed.
- Mechanical timer in TM model (0-60 min).

Note: If an electronic thermostat is used, it must be compatible with forced-air heaters.

Installation

- 12 in. (306 mm) minimum clearance to floor.
- May be recessed or surface-mounted without adaptor in 2 in. X 3 in. stud partitions.
- Holes for fastening and convenient knock-outs allow for easy installation and connection (mounting screws included).

Warranty

- 2-year warranty against defects.
- 5-year warranty on the heating element.

Application

- Bathroom, kitchen, family room, entrance way.

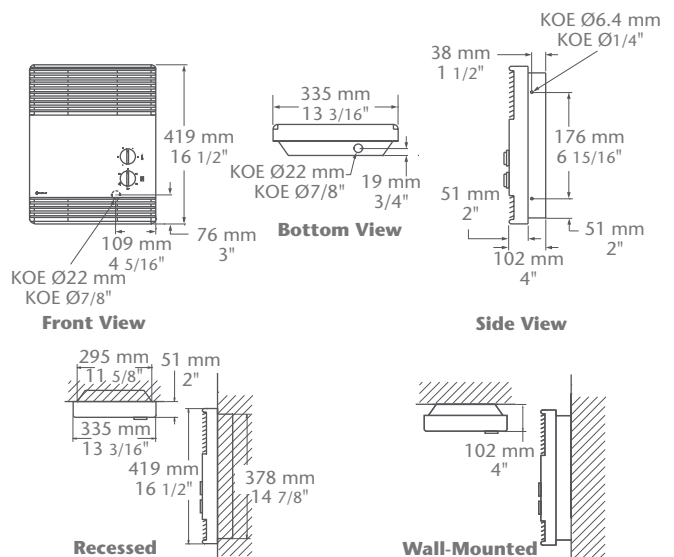
Models

Product #	Volts	Watts		Weight	
		min.	max.	lb	kg
OVEU1502 ¹	120	-	1500	14.0	6.4
OVEU1502-T	120	750	1500	14.0	6.4
OVEU1502-TM	120	750	1500	14.0	6.4
OVEU1500 ¹	240/208	-	1500/1125	14.0	6.4
OVEU1500-T	240/208	750/563	1500/1125	14.0	6.4
OVEU1500-TM	240/208	750/563	1500/1125	14.0	6.4

¹ Requires non pulsing wall-mounted thermostat.

Add "BL" for white, "AM" for almond, "SS" for stainless steel.

For stainless steel models the grilles and the back of the heater are painted black. Optional colors shown in the color chart section are available upon request.



WHFC Forced-Air Ceiling Heater



Features

Color

- Standard: white.

Finish

- Standard: epoxy/polyester powder coating.

Voltage

- 120/208/240V, 1-phase.

Construction

- 20-gauge steel cabinet.
- Heavy duty 20-gauge steel wide opening bar grille.
- Manual de-energize high limit thermal protection (Smart Limit Protection®).

Fan

- Lifetime lubricated motor with anti-vibration mounts.
- Motor cooling system for longer service life.
- Quiet squirrel-cage fan 95 cfm, 55 dBA at 3 ft. (0.9 m).

Element

- Helical coil nickel-chromium alloy wire protected by mica insulation.

Control

- Line voltage control circuit for thermostat, timer or switch (not included).

Note: If an electronic thermostat is used, it must be compatible with forced-air fan heaters.

Installation

- Recommended installation height: max. 10 ft. (3 m), min. 6 ft. (1.8 m).
- Minimum distance from adjacent walls: 16 in. (40 cm).
- Optional surface mounting box available.

Warranty

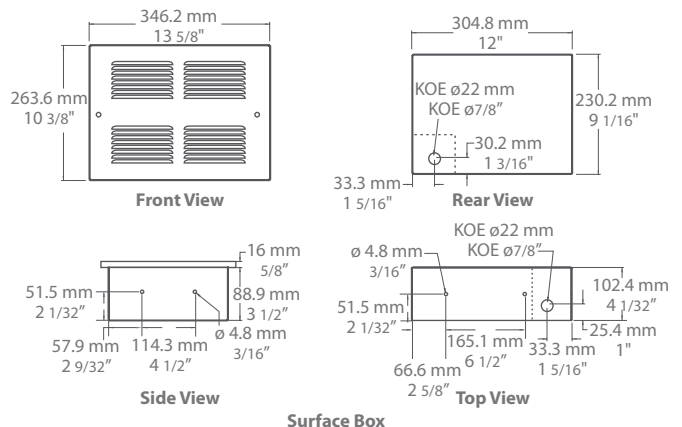
- 1-year warranty against defects.

Application

- Bathroom, entrance way, stairwell.

Models

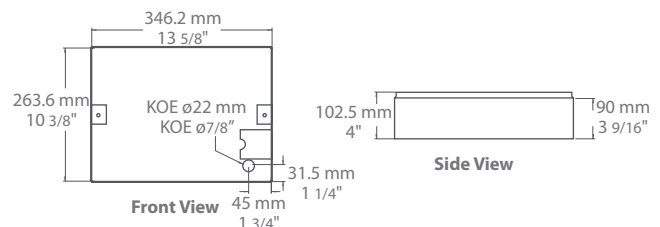
Product #	Volts	Watts	Weight	
			lb	kg
WHFC1205	120	500	8.0	3.6
WHFC1207	120	750	8.0	3.6
WHFC1210	120	1000	8.0	3.6
WHFC1215	120	1500	8.0	3.6
WHFC2005	208	500	8.0	3.6
WHFC2007	208	750	8.0	3.6
WHFC2010	208	1000	8.0	3.6
WHFC2015	208	1500	8.0	3.6
WHFC2405	240	500	8.0	3.6
WHFC2407	240	750	8.0	3.6
WHFC2410	240	1000	8.0	3.6
WHFC2415	240	1500	8.0	3.6



Option

Product #	Description	Factory Installed	Kit
WHSC-C	Surface mounting box	-	✓

Standard color is white.



ORC Sunshine Radiant Cove Heater



Features

Color and Finish

- Standard: silichem off-white, mat black and anodized aluminum finish.

Voltage

- 120V, 208V, 240V, 277V, 347V, 480V, 600V 50/60 Hz.

Construction

- Front made of an aluminum extrusion profiled to increase radiating surface. **1**
- Back of the unit made with 18-gauge steel.
- Junction box on each end.
- Wall installation brackets (supplied) that doesn't require opening the unit's casing. KOE 7/8 in. (22 mm) for the installation of the BX wires. **2**
- 4 in. (102 mm) ground wires on both ends. **3**
- Wireway approved for interconnection of units using the factory installed additional wires. This is used in wall-to-wall heater installation. **3**
- Highly-emissive paint on the heat exchanger for higher efficiency.

Heating element

- Stainless steel tubular heating element inserted into a solid aluminum extrusion preventing any thermal expansion noise.

Control

- Single or double-pole built-in thermostat available.

Ouellet highly recommends to use an electronic wall thermostat for greater comfort.

Installation

- 6 ft. (1.83 m) minimum clearance to floor and 4 1/2 in. (114 mm) minimum from ceiling.
- Variety of accessories available for wall-to-wall installation.

Warranty

- 1-year warranty against defects.
- 10-year warranty on the heating element.

Application

- Entrance way, bathroom, kitchen, living room, family room, bedroom, patio door, bay window, daycare, nursery, workshop.

Models

Watts	Product #				Weight		Length	
	120V	208V	240V	277V	lb	kg	in.	mm
450	ORC0452	ORC0458	ORC0450	ORC0477	6.0	2.7	34	864
600	ORC0602	ORC0608	ORC0600	ORC0677	8.0	3.6	47	1194
750	ORC0752	ORC0758	ORC0750	ORC0777	10.0	4.5	59	1499
900	ORC0902	ORC0908	ORC0900	ORC0977	12.0	5.4	71	1803
1050	ORC1052	ORC1058	ORC1050	ORC1077	13.0	5.9	83	2108
1200	ORC1202	ORC1208	ORC1200	ORC1277	15.0	6.8	94	2388
1500 ¹	ORC1502	ORC1508	ORC1500	ORC1577	18.0	8.2	113	2870

Options

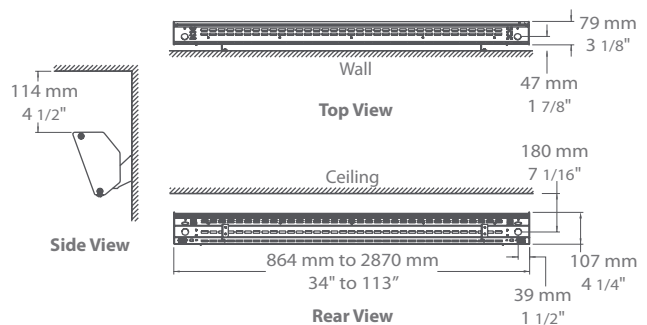
Product #	Description	Factory Installed	Kit
ORC-JT	Splice plate	-	✓
ORC-TB6 ²	Single-pole bi-metal thermostat	✓	✓
ORC-TB26 ^{2,3}	Double-pole bi-metal thermostat	✓	✓

¹ These models must be ordered in pairs to reduce shipping damages.

² Ouellet highly recommends to use an electronic wall thermostat for greater comfort.

³ "Off" position.

Add "BL" for silichem off-white, "NM" for mat black and "AA" for anodized aluminum finish.



UFO-R Indoor Infrared Heater with Remote Control



Grounded 3-pronged outlet



NEMA 5-15R
15A, 120VAC



NEMA 5-20R
20A, 120VAC

With 100% rated breaker

Features

Finish

- Anodized champagne.

Voltage

- 120V, 60 Hz, 1-phase.

Power

- 1020W minimum, 1700W maximum.

Construction

- 18-gauge aluminum extrusion casing.
- Rigid plastic injection molded end caps.
- High strength metal protective grid. **1**
- High quality aluminum optical reflector.
- Pivoting mounting brackets included (casing does not need to be opened). **2**
- High quality 8 ft. (2.5 m) power cord with NEMA 5-15 plug.

Heating element

- Patented flower shape filament inside a 23 mm Quartz tube.

Wavelength

- Mid-wave (2.4 μm).

Control

- 5 intensity settings integrated and by remote control (H1: 1020W, H2: 1190W, H3: 1360W, H4: 1530W, H5: 1700W). **3**

Certification

- Comply with the standard UL2021:1998 R1.06 and C22.2 No.46-M1988 (R2001).

Installation

- Wall installation minimum clearances: 5" (12.5 cm) from wall, 71" (180 cm) from floor, 16" (40 cm) from ceiling, 16" (40 cm) from the adjacent walls.
- Ceiling installation minimum clearances: 5" (12.5 cm) from ceiling, 71" (180 cm) from floor, 2' 3" (70 cm) from the adjacent walls.
- Mounts on wall or ceiling with the supplied mounting brackets or on the UTS/UL floor stand (optional).
- Horizontal installation only.

Note: See User Manual for the complete installation instructions.

Warranty

- 3-year warranty against defects.
- 1-year warranty on the element (element service life ± 9000h).

Application

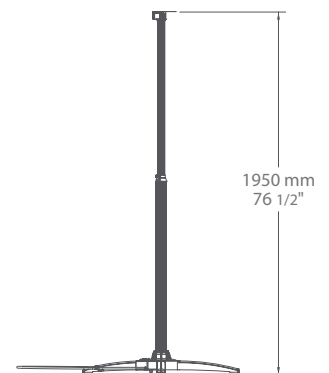
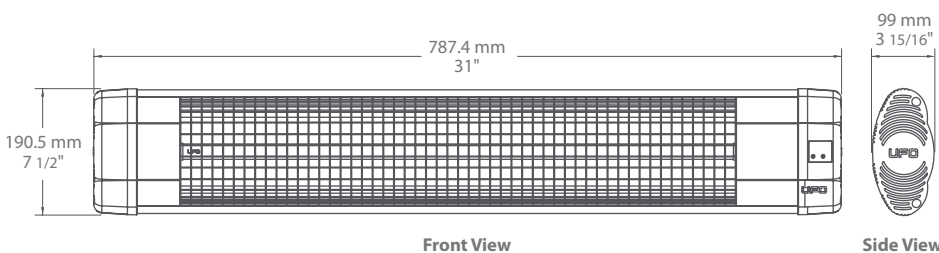
- Temporary back-up heating, living room, family room, entrance way, office, daycare, workshop, garage, solarium, indoor pool and spa.

Model

Product #	Volts	Watts
UFO-R/UKL2	120	Min. 1020 /Max.1700

Option

Product #	Description	Factory Installed	Kit
UFO-UTS/UL	Stand with 120V power cord	-	✓



UFO-E Outdoor/Indoor Infrared Heater



Grounded 3-pronged outlet

Models: S12, S15 (with 100% rated breaker)



NEMA 5-15R
15A, 120VAC

Model: S15



NEMA 5-20R
20A, 120VAC

Model: S18, S30



NEMA 6-20RA
20A, 240VAC

Features

Finish

- Anodized aluminum.

Voltage

- 120V, 240V, 50/60 Hz, 1-phase.

Power

- 120V/1400W, 120V/1700W, 240V/2000W, 240V/3200W.

Construction

- Weatherproof IP34 certified for outdoor use.
- 18-gauge aluminum extrusion casing. 1
- Rigid plastic injection molded end caps. 2
- High strength metal protective grid.
- High quality aluminum optical reflector.
- Pivoting mounting brackets included (casing does not need to be opened).
- High quality 8' (2.5 m) power cord with NEMA 5-15 plug for 120V models and NEMA 6-20 plug for 240V models.

Heating element

- Patented flower shape filament inside a 23 mm Quartz tube.

Wavelength

- Mid-wave (2.4 μm).

Control

- On/Off integrated regulator with 4 settings. 3

Certification

- Comply with the standard UL2021:1998 R1.06 and C22.2 No.46-M1988 (R2001).

Installation

- Wall installation minimum clearances: 5" (12.5 cm) from wall, 71" (180 cm) from floor, <1800W 16" (40 cm), 1800-2800W 24" (60 cm), >2800W 28" (70 cm) from ceiling, 16" (40 cm) from the adjacent walls.
- Ceiling installation minimum clearances: 5" (12.5 cm) from ceiling, 7' 11" (240 cm) from floor, 2' 3" (70 cm) from the adjacent walls.
- Mounts on wall or ceiling with the supplied mounting brackets or on the UTS/UL floor stand (optional, 120V models only).
- Horizontal installation only
- **Can not be installed to the ceiling (models UFO-E/S18 and UFO-E/S30).**

Note: see User Manual for the complete installation instructions.

Warranty

- 3-year warranty against defects.
- 1-year warranty on the element (element service life ± 8000h).

Application

- Temporary back-up heating, living room, family room, entrance way, office, daycare, workshop, garage, solarium, pool and spa, balcony, patio, bar, restaurant, hotel, church.

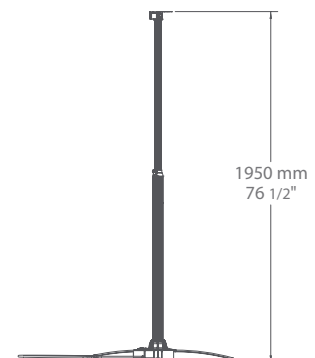
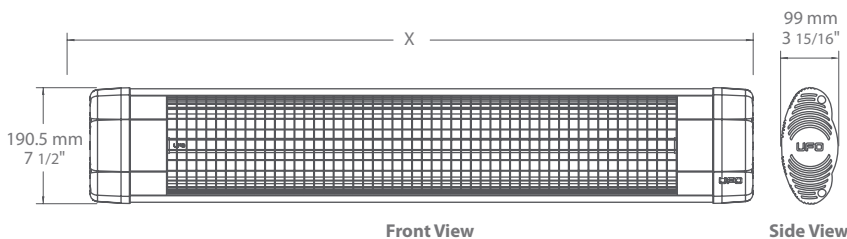
Models

Product #	Volts	Watts	Length	
			in.	mm
UFO-E/S12	120	1400	29	736.6
UFO-E/S15	120	1700	29	736.6
UFO-E/S18 ¹	240	2000	34	863.6
UFO-E/S30 ¹	240	3200	42 1/2	1079.5

Option

Product #	Description	Factory Installed	Kit
UFO-UTS/UL	Stand with 120V power cord	-	✓

¹ Can not be installed to the ceiling.



OKB (ORR) Radiant Heater



Features

Finish

- Anodized aluminum.

Voltage

- 120V, 208V, 240V, 480V, 600V, 1-phase.
- Other voltages available upon request.

Construction

- No visible light is emitted by the heater.
- Built-in adjustable directional system.
- 60° standard radiation angle (optional 45°).

Heating element

- Incoloy stainless steel tubular heating element with 60° standard radiation angle (optional 45°).
- Quartz element with 60° standard radiation angle.

Installation

- Vertical or horizontal mounting for stainless steel element models.
- Horizontal mounting for Quartz element models.
- Surface-mounted to connection box (on non-combustible surface) or suspended by chains and eyelets (chains not included).
- Must be connected only to a circuit protected by suitable ground fault protection.
- 90 °C (194 °F) wiring is sufficient.
- Recommended installation height: 8 to 10 ft. (2.4 to 3 m).

Warranty

- 1-year warranty against defects.

Application

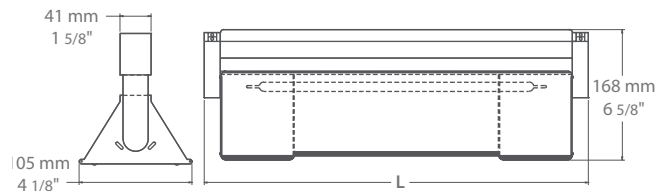
- Church, workshop, indoor swimming pool, warehouse.

Models

Watts	Product #			Over-All Length		Heating Section		Weight	
	120V	208V	240V	in.	mm	in.	mm	lb	kg
Incoloy stainless steel tubular heating element with 60° standard radiation angle (optional 45°)¹									
950	OKB299C611	OKB299C621	OKB299C631	31 1/2	800	20	508	5.1	2.3
1500	OKB411C611	OKB411C621	OKB411C631	43 1/2	1105	32	813	6.8	3.1
1900	OKB471C611	OKB471C621	OKB471C631	49 1/2	1257	38	965	8.0	3.6
2000	-	OKB412C621	OKB412C631	43 1/2	1105	32	813	7.2	3.3
2300	-	OKB472C621	OKB472C631	49 1/2	1257	38	965	8.1	3.7
3000	-	OKB593C621	OKB593C631	61 1/2	1562	50	1270	9.9	4.5
3800	-	OKB713C621	OKB713C631	73 1/2	1867	62	1575	11.7	5.3
Quartz element with 60° standard radiation angle									
800	OKB258T611	OKB258T621	OKB258T631	27 1/2	800	16	406	4.9	2.2
1600	OKB411T611	OKB411T621	OKB411T631	43 1/2	1105	32	813	7.1	3.2
2500	-	OKB592T621	OKB592T631	61 1/2	1562	50	1270	9.7	4.4
3100	-	OKB713T621	OKB713T631	72 1/2	1867	62	1575	11.3	5.1

Options (for models with Incoloy stainless steel tubular heating element)

Product #	Description
WGA050	Wire guard 950W
WGA081	Wire guard 1500W and 2000W
WGA096	Wire guard 1900W and 2300W
WGA127	Wire guard 3000W
WGA157	Wire guard 3800W



¹45° spread available upon request. Remember to change the 6 for 4 when ordering.
 Example: OKB299C621 becomes OKB299C421.
 Other voltages available upon request.

OTM Thermat Floor Heating System



Training available online www.ouellet.com

Features

Voltage

- 120V, 240/208V, 1-phase.

Cold lead length

- 13' 6" (4.2 m).

Construction

- Heating cable made of a twin conductor fastened to an adhesive fiberglass mat for a simpler and faster installation with negligible magnetic field.

Watt density

- 12W/sq. ft. (130W/sq. m), 3" (76 mm) spacing.

Dimension

- Mats of 16 in. (0.41 m) in width offered in several lengths.

Control

- Two types of control method possible (see instruction manual for details):
 - Surface heating control with electromechanical thermostat in floor mode (F) and temperature sensor.
 - Ambient heating control with electromechanical thermostat in ambient mode with floor limit (AF) and temperature sensor.

Note: A ground fault circuit interrupter (GFCI) must be used with this heating device unless exempted by the applicable national and/or local electrical code for the area of installation.

- See control options on pages 41 and 42.

Included materials

- 15' (4.6 m) temperature sensor.
- Labels for electrical panel (measurement chart).

Installation

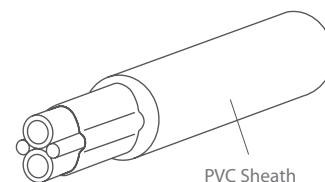
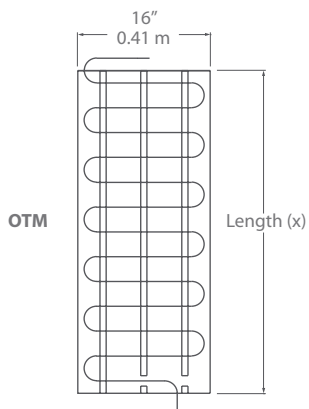
- **Never cut or shorten the heating cable.**
- For indoor applications only.
- On concrete slab or plywood subfloor.

Warranty

- 25-year warranty on heating cable.

Application

- Kitchen, bathroom, entrance way, family room, living room.



Models

Watts	OTM Product # 240/208V	Amp. 240V	Cable Diameter (mm)	OTM Product # 120V	Amp. 120V	Cable Diameter (mm)	OTM Combo Pack Product # Included - OTM-CC and TH115-AF-GA		Covered Surface ¹ Spacing 3" (76 mm)		Length		Weight	
							240/208V	120V	sq. ft.	sq. m	ft.	m	lb	kg
85	-	-	-	OTM0082	0.71	4.196	-	-	8	0.7	6'	1.8	2.0	0.9
120	-	-	-	OTM0122	1.00	4.504	-	OTM0122-CC-THGA	10	0.9	7' 6"	2.3	2.0	0.9
150	-	-	-	OTM0152	1.25	4.306	-	-	13	1.2	10'	3.0	3.0	1.4
170	OTM0170	0.71	4.196	OTM0172	1.42	4.240	-	OTM0172-CC-THGA	15	1.4	11' 6"	3.5	3.0	1.4
240	OTM0240	1.00	4.504	OTM0242	2.00	4.174	-	OTM0242-CC-THGA	20	1.9	15'	4.6	3.0	1.4
300	OTM0300	1.25	4.306	OTM0302	2.50	4.196	-	OTM0302-CC-THGA	25	2.3	19'	5.8	3.0	1.4
360	OTM0360	1.50	4.240	OTM0362	3.00	4.064	-	OTM0362-CC-THGA	30	2.8	22' 6"	6.9	4.0	1.8
420	OTM0420	1.75	4.394	OTM0422	3.50	4.196	-	-	35	3.3	26' 6"	8.1	5.0	2.3
475	OTM0475	1.98	4.174	OTM0472	3.96	4.306	-	OTM0472-CC-THGA	40	3.7	30'	9.1	5.0	2.3
600	OTM0600	2.50	4.196	OTM0602	5.00	4.042	-	OTM0602-CC-THGA	50	4.6	37' 6"	11.4	7.0	3.2
720	OTM0720	3.00	4.064	OTM0722	6.00	4.174	OTM0720-CC-THGA	OTM0722-CC-THGA	60	5.6	45'	13.7	7.0	3.2
840	OTM0840	3.50	4.196	OTM0842	7.00	4.328	OTM0840-CC-THGA	OTM0842-CC-THGA	70	6.5	52' 6"	16.0	9.0	4.1
960	OTM0960	4.00	4.306	OTM0962	8.00	4.482	OTM0960-CC-THGA	OTM0962-CC-THGA	80	7.4	60'	18.3	10.0	4.5
1080	OTM1080	4.50	4.438	-	-	-	OTM1080-CC-THGA	-	90	8.4	67' 6"	20.6	11.0	5.0
1140	-	-	-	OTM1142	9.50	4.536	-	-	95	8.83	71' 4"	21.7	11.25	5.1
1200	OTM1200	5.00	4.042	-	-	-	OTM1200-CC-THGA	-	100	9.3	75'	22.9	12.8	5.8
1320	-	-	-	OTM1322	11.00	4.714	-	-	110	10.22	82' 6"	25.1	15.0	6.8
1440	OTM1440	6.00	4.174	-	-	-	-	-	120	11.1	90'	27.4	13.0	5.9
1500	-	-	-	OTM1502	12.50	4.982	-	-	125	11.61	93' 10"	28.6	19.0	8.6
1600	OTM1600	6.67	4.328	-	-	-	-	-	140	13.0	105'	32.0	16.0	7.3
1680	-	-	-	OTM1682	14.00	5.294	-	-	140	13.01	105'	32.0	20.5	9.3
1920	OTM1920	8.00	4.482	-	-	-	-	-	160	14.9	120'	36.6	21.9	9.9
2280	OTM2280	9.50	4.536	-	-	-	-	-	190	17.65	142' 6"	43.4	22.5	10.2
2640	OTM2640	11.00	4.714	-	-	-	-	-	220	20.44	165'	50.3	30.0	13.6
3000	OTM3000	12.50	4.982	-	-	-	-	-	250	23.23	187' 6"	57.2	38.0	17.3
3360	OTM3360	14.00	5.294	-	-	-	-	-	280	26.01	210'	64.0	41.0	18.6

Options

Product #	Description	Factory Installed	Kit
OTM-CC	CableCheck - Electrical fault indicator	-	✓
OTM-KIT	Repair kit	-	✓
OTM-SA	Spray adhesive to secure the mat on concrete slab, 16.75 oz (474 g)	-	✓

¹ Does not represent the surface of the room but rather the surface covered by the floor heating system, excluding fixtures and other spaces to consider.
 208V = 75% of wattage at 240V.
 15'(4.6 m) floor sensor and 13' 6" (4.2 m) cold lead included.

OTR Therma Cable Floor Heating System



Features

Voltage

- 120V, 240/208V, 1-phase.

Cold lead length

- 13' 6" (4.2 m).

Construction

- Heating cable made of a twin conductor for a simpler and faster installation, with negligible magnetic field.

Watt density

- 12W/sq. ft. (130W/sq. m), 3" (76 mm) spacing.
- 9W/sq. ft. (100W/sq. m), 4" (102 mm) spacing.

Control

- Two types of control method possible (see instruction manual for details):
 - Surface heating control with electromechanical thermostat in floor mode (F) and temperature sensor.
 - Ambient heating control with electromechanical thermostat in ambient mode with floor limit (AF) and temperature sensor.

Note: A ground fault circuit interrupter (GFCI) must be used with this heating device unless exempted by the applicable national and/or local electrical code for the area of installation.

- See control options on pages 41 and 42.

Included materials

- 15' (4.6 m) temperature sensor.
- Labels for electrical panel (measurement chart).

Installation

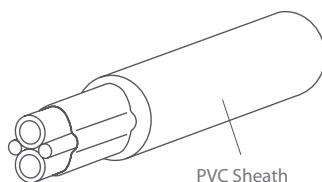
- **Never cut or shorten the heating cable.**
- For indoor applications only.
- On concrete slab or plywood subfloor.
- Plastic strapping included [3" (76 mm) and 4" (102 mm) spacing].
- Galvanized strapping sold separately [3" (76 mm) and 4" (102 mm) spacing].

Warranty

- 25-year warranty on the heating cable.

Application

- Kitchen, bathroom, entrance way, family room, living room.



Models

Watts	Product # ¹	Amp. 240V	Cable Diameter (mm)	Product # ¹	Amp. 120V	Cable Diameter (mm)	Covered Surface ²		Covered Surface ²		Length		Weight	
	240/208V			120V			Spacing 3" (76 mm)	Spacing 4" (102 mm)	9W/sq. ft.	100W/sq. m	ft.	m	lb	kg
85	-	-	-	OTR0082-G25	0.71	4.196	8	0.7	11	1.0	32	9.75	3.5	1.6
120	-	-	-	OTR0122-G25	1.00	4.504	10	0.9	13	1.2	40	12.19	3.5	1.6
150	-	-	-	OTR0152-G25	1.25	4.306	13	1.2	17	1.6	52	15.85	4.2	1.9
170	OTR0170-G25	0.71	4.196	OTR0172-G25	1.42	4.240	15	1.4	20	1.9	60	18.29	3.9	1.8
240	OTR0240-G25	1.00	4.504	OTR0242-G25	2.00	4.174	20	1.9	27	2.5	80	24.38	4.2	1.9
300	OTR0300-G25	1.25	4.306	OTR0302-G25	2.50	4.196	25	2.3	33	3.1	100	30.48	4.5	2.0
360	OTR0360-G50	1.50	4.240	OTR0362-G50	3.00	4.064	30	2.8	40	3.7	120	36.58	5.5	2.5
420	OTR0420-G50	1.75	4.394	OTR0422-G50	3.50	4.196	35	3.3	47	4.3	140	42.67	5.7	2.6
475	OTR0475-G50	1.98	4.174	OTR0472-G50	3.96	4.306	40	3.7	53	5.0	160	48.77	6.2	2.8
600	OTR0600-G75	2.50	4.196	OTR0602-G75	5.00	4.042	50	4.6	67	6.2	200	60.96	7.6	3.4
720	OTR0720-G75	3.00	4.064	OTR0722-G75	6.00	4.174	60	5.6	80	7.4	240	73.15	8.4	3.8
840	OTR0840-G75	3.50	4.196	OTR0842-G75	7.00	4.328	70	6.5	93	8.7	280	85.34	8.5	3.8
960	OTR0960-G75	4.00	4.306	OTR0962-G75	8.00	4.482	80	7.4	107	9.9	320	97.54	9.5	4.3
1080	OTR1080-G100	4.50	4.438	-	-	-	90	8.4	120	11.2	360	109.73	10.6	4.8
1200	OTR1200-G100	5.00	4.042	-	-	-	100	9.3	133	12.4	400	121.92	11.5	5.2
1440	OTR1440-G125	6.00	4.174	-	-	-	120	11.2	160	14.9	480	146.30	12.7	5.8
1600	OTR1600-G125	6.67	4.328	-	-	-	140	13.0	187	17.4	560	170.69	14.7	6.6
1920	OTR1920-G150	8.00	4.482	-	-	-	160	14.8	213	19.8	640	195.07	17.0	7.7

Options

Product #	Description	Factory Installed	Kit
OTM-CC	CableCheck - Electrical fault indicator	-	✓
OTM-KIT	Repair kit	-	✓
OTR-G25-G	25 ft. galvanized strapping	-	✓
OTR-G25-P2	25 ft. plastic strapping	-	✓
OTR-S	15 ft. (4.6 m) floor sensor	-	✓

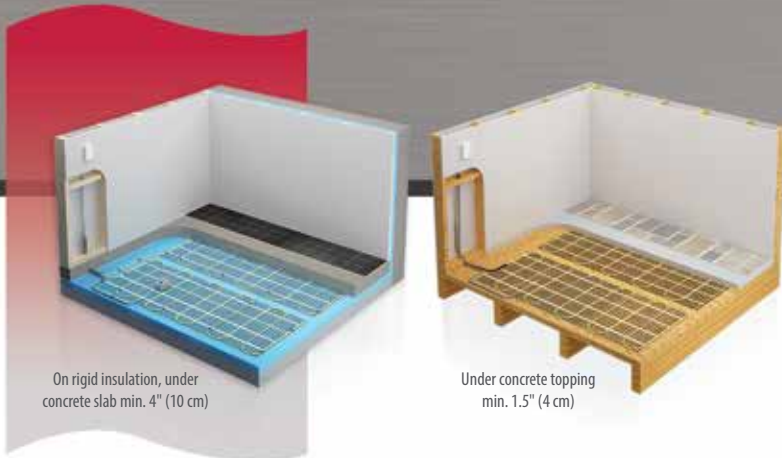
¹ Strapping included. The length of plastic strapping included is based on a square room with strapping every 24" (610 mm). Example: OTR0170-G25 includes 25 ft. of plastic strapping.

² Does not represent the surface of the room but rather the surface covered by the floor heating system, excluding fixtures and other spaces to consider.

208V = 75% of wattage at 240V.

15' (4.6 m) floor sensor and 13' 6" (4.2 m) cold lead included.

OWC-M Heating Cable on Mat for Concrete



Training available online www.ouellet.com

Features

Voltage

- 240/208V, 1-phase.

Construction

- Twin conductor heating cable attached to a plastic mat with negligible magnetic field.

Watt density

- 11W/sq. ft. (120W/sq. m), factory installed on mat at 6" (15 cm) spacing.

Dimension

- 24" (0.6 m) wide mat available in several lengths.

Cold lead length

- 8'2" (2.5 m) cold lead included.

Control

- Two types of control method possible (see instruction manual for details):
 - Surface heating control with electromechanical thermostat in floor mode (F) and temperature sensor.
 - Ambient heating control with electromechanical thermostat in ambient mode with floor limit (AF) and temperature sensor.

Note: A ground fault circuit interrupter (GFCI) must be used with this heating device unless exempted by the applicable national and/or local electrical code for the area of installation.

- See control options on pages 41 and 42.

Included materials

- 15' (4.6 m) temperature sensor.
- Electrical fault indicator (OTM-CC).
- Labels for electrical panel (measurement chart).

Installation

- **Never cut or shorten the heating cable.**
- For indoor applications only, residential or commercial.
- Installs under a 4" to 6" (10 cm to 15 cm) concrete slab or under a 1.5" to 4" concrete topping (4 cm to 10 cm).

Note: It's highly recommended to insulate the concrete slab in order to avoid heat loss from below (see instruction manual for all installation details).

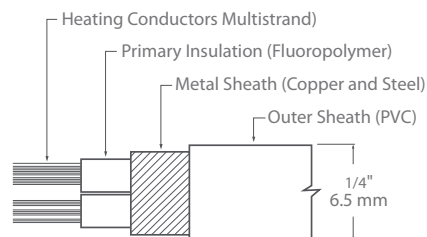
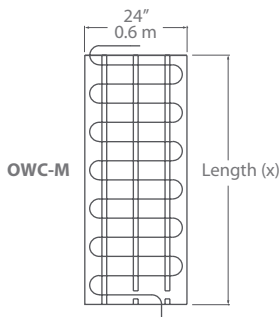
- Installation with or without metallic structure for reinforced concrete.
- Compatible with most floor coverings (check with the dealer or manufacturer).

Warranty

- 20-year warranty on the heating cable.

Application

- Basement, garage, bathroom, kitchen, family room, workshop, pool, shower, entrance way, hospital, hotel, factory, business, restaurant, sunroom, greenhouse.



Models

Watts	Product # 240/208V	Amp. 240V	Covered Surface ¹		Length		Weight	
			sq. ft.	sq. m	ft.	m	lb	kg
300	OWC-M0300	1.25	28	2.6	12' 6"	3.8	4.0	1.8
500	OWC-M0500	2.08	46.5	4.3	20' 10"	6.4	5.0	2.3
700	OWC-M0700	2.92	65.5	6.1	29' 2"	8.9	7.0	3.1
950	OWC-M0950	3.96	89	8.3	39' 7"	12.1	9.0	4.0
1100	OWC-M1100	4.58	103	9.6	45' 10"	14.0	10.0	4.5
1300	OWC-M1300	5.42	121.5	11.3	54' 2"	16.5	12.0	5.4
1500	OWC-M1500	6.25	140.5	13.1	62' 6"	19.1	14.0	6.4
1700	OWC-M1700	7.08	159	14.8	70' 10"	21.6	16.0	7.2
2000	OWC-M2000	8.33	187.5	17.4	83' 4"	25.4	18.0	8.1
2200	OWC-M2200		206	19.1	91' 6"	27.9	21.0	9.5
2400	OWC-M2400	10.00	225	20.9	100'	30.5	23.0	10.4
2550	OWC-M2550		239	22.2	106' 6"	32.5	25.0	11.3
2700	OWC-M2700	11.25	253	23.5	112' 6"	34.3	28.0	12.7
2850	OWC-M2850		267	24.8	119'	36.3	30.0	13.6
3000	OWC-M3000	12.50	281	26.1	125'	38.1	32.0	14.5
3200	OWC-M3200		300	27.9	133' 6"	40.7	34.0	15.4
3400	OWC-M3400	14.17	318.5	29.6	141' 8"	43.2	36.0	16.3
3700 ²	OWC-M3700 ²	15.42	346.5	32.2	154' 2"	47.0	39.0	17.7
4000 ²	OWC-M4000 ²	16.67	375	34.8	166' 8"	50.8	42.0	19.0

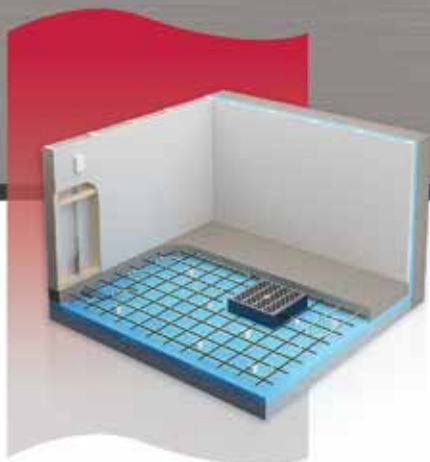
Options

Product #	Description	Factory Installed	Kit
OTM-CC	CableCheck – Electrical fault indicator	-	✓
OW-CLP	Bag of 50 plastic floor fasteners for heating cables on mat	-	✓
OW-KIT	Repair kit for concrete heating cables	-	✓

¹ Does not represent the room surface but rather the area covered by the cable mat including 3" (7.5 cm) spacing between the mat strips but excluding fixed elements to be bypassed and any other required clearances.

² Not compatible with OTH770, TH115 and CT230. Requires relay with low voltage thermostat OTH824 or TH115-AF-024T/U. 208V = 75% of wattage at 240V.

OWC-R Heating Cable in Reel for Concrete



Training available online www.ouellet.com

Features

Voltage

- 240/208V, 1-phase.

Construction

- Twin conductor heating cable with negligible magnetic field.

Watt density

- 11W/sq. ft. (120W/sq. m), recommended installation – 6" (15 cm) spacing.

Cold lead length

- 8'2" (2.5 m) cold lead included.

Control

- Two types of control method possible (see instruction manual for details):
 - Surface heating control with electromechanical thermostat in floor mode (F) and temperature sensor.
 - Ambient heating control with electromechanical thermostat in ambient mode with floor limit (AF) and temperature sensor.

Note: A ground fault circuit interrupter (GFCI) must be used with this heating device unless exempted by the applicable national and/or local electrical code for the area of installation.

- See control options on pages 41 and 42.

Included materials

- 15' (4.6 m) temperature sensor.
- Electrical fault indicator (OTM-CC).
- Labels for electrical panel (measurement chart).

Installation

• Never cut or shorten the heating cable.

- For indoor applications only, residential or commercial.
- Installs under a 4" to 6" (10 cm to 15 cm) concrete slab.

Note: It's highly recommended to insulate the concrete slab in order to avoid heat loss from below (see instruction manual for all installation details).

- Requires a metallic structure or wire mesh for reinforced concrete with spacing of 6" (15 cm) for the installation.
- Compatible with most floor coverings (check with the dealer or manufacturer).

Warranty

- 20-year warranty on the heating cable.

Application

- Basement, garage, workshop, pool, shower, entrance way, hospital, hotel, factory, business, restaurant, sunroom, greenhouse, farm.

Models

Watts	Product # 240/208V	Amp. 240V	Covered Surface ¹ Spacing 6" (15 mm)		Length		Weight	
			12W/sq. ft.	130W/sq. m	ft.	m	lb	kg
300	OWC-R0300	1.25	28	2.3	56'	17.1	4.0	1.8
500	OWC-R0500	2.08	46.5	4.3	93'	28.4	5.0	2.3
700	OWC-R0700	2.92	65.5	5.8	125'	38.1	7.0	3.1
950	OWC-R0950	3.96	89	8.2	176'	53.6	9.0	4.0
1300	OWC-R1300	5.42	121.5	11.6	250'	76.2	12.0	5.4

Options

Product #	Description	Factory Installed	Kit
OTM-CC	CableCheck – Electrical fault indicator	-	✓
OW-KIT	Repair kit for concrete heating cables	-	✓
OW-TYW	Bag of 100 plastic tie-wraps for heating cables in reel	-	✓

¹ Does not represent the room surface but rather the area covered by the cable while leaving a 6" (15 cm) spacing between cables and excluding fixed elements to be bypassed and any other clearance required. 208V = 75% of wattage at 240V.

OTH770

Non Programmable Electromechanical Thermostat for Floor Heating System



Floor sensor
included



Features

Type

- Non programmable, electromechanical, double-pole, 4-wire thermostat for floor heating system.

Color

- Standard: white.

Voltage

- 120/208/240V, 50/60 Hz.

Rating

- 15A at 120/208/240V.

Control

- 15-minute cycle.
- Resolution and precision: ± 0.5 °C (1 °F).
- "On/Standby" switch: allows to put the thermostat in standby mode when it is not in use (during Summer for example). Also used as the GFCI reset.

Temperature range

- Floor: 5 °C (40 °F) to 40 °C (104 °F).
- Ambient: 5 °C (40 °F) to 30 °C (86 °F).

Display

- Digital display of actual and setpoint temperature (°C or °F), heating level and vacation mode.
- Temperature setting recorded permanently.
- GFCI fault indicator.
- Backlit.

Mode

- Vacation mode.

Installation

- 4-wire thermostat with ambient and floor sensor.

Warranty

- 3-year warranty against defects.

Models

Product #	Description	Amp.	Volts	Protection
OTH770-GA ²	Non programmable electromechanical thermostat for floor heating system	15	120/208/240	GFCI 5 mA ¹
OTH770-GB ²	Non programmable electromechanical thermostat for floor heating system	15	120/208/240	GFCI 15 mA ¹
OTH700-AF-12VDC ^{2,3}	Non programmable main thermostat	0.075	12VDC	-

¹ GFCI: Ground fault circuit interrupter.

² 15' (4.6 m) floor sensor included.

³ Compatible with CT230 only.

TH115

Programmable Electromechanical Thermostat for Floor Heating System



TH115



Floor sensor included



CT230

Slave Unit for Floor Heating System



CT230



Features TH115

Type

- Programmable, electromechanical, double-pole, 4-wire thermostat for floor heating system.

Color

- Standard: white.

Voltage

- 120/208/240V, 50/60 Hz.

Rating

- 15A at 120/208/240V.

Control

- 15-minute cycle.
- Resolution and precision: $\pm 0.5^\circ\text{C}$ (1°F).
- "On/Standby" switch: allows to put the thermostat in standby mode when it is not in use (during summer for example). Also used as the GFCI reset.

Temperature range

- Floor: 5°C (40°F) to 40°C (104°F).
- Ambient: 5°C (40°F) to 30°C (86°F).

Display

- Digital display of actual and setpoint temperature ($^\circ\text{C}$ or $^\circ\text{F}$), heating level, actual mode and clock (12 or 24-hour format).
- Temperature setpoint and settings are permanently recorded.
- Time and date retained up to 2 hours during a power outage.
- GFCI fault indicator.
- Backlit.

Program

- 7 days, 4 settings/day.
- Pre-programmed or personalized schedule.
- Early Start function.

Mode

- Automatic, Manual and Vacation modes.

Installation

- 4-wire thermostat with ambient and floor sensor.

Warranty

- 3-year warranty against defects.

Models

Product #	Description	Amp.	Volts	Protection
TH115-AF-GA ²	Programmable electromechanical thermostat for floor heating system	15	120/208/240	GFCI 5 mA ¹
TH115-AF-GB ²	Programmable electromechanical thermostat for floor heating system	15	120/208/240	GFCI 15 mA ¹
TH115-AF-12VDC ^{2,3}	Programmable main thermostat	0.075	12VDC	-

¹ GFCI: Ground fault circuit interrupter.

² 15' (4.6 m) floor sensor included.

³ Compatible with CT230 only.

CT230 Slave Unit for Floor Heating System

The CT230 series slave units are specially designed for large floor heating applications exceeding 15 Amps. They drive their own part of the floor and are also equipped with a ground fault circuit interrupter (GFCI). These modules, which are controlled by a main thermostat, require only one thermostat to regulate large areas.

Models

Product #	Description	Amp.	Volts	Protection
CT230-GA ²	Slave unit for floor heating system	15	120/208/240	GFCI 5 mA ¹
CT230-GB ²	Slave unit for floor heating system	15	120/208/240	GFCI 15 mA ¹

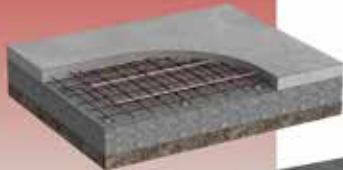
¹ GFCI: Ground fault circuit interrupter.

² Compatible with OTH700-AF-12VDC and TH115-AF-12VDC only. Standard color is white.

OWS-T

Heating Cable Mat for Snow Melting

New



Concrete



Brick, concrete or natural stone paving



Asphalt

Features

Voltage

- 240/208V, 347V, 1-phase.

Construction

- Series heating cable set, twin conductor type.
- Heating cable held as a mat at regular 3" (76 mm) spacing with flexible strips.
- Fluoropolymer (ECTFE) resistance wire insulation 0.014" (0.35 mm) thick.
- Braided copper shielding 17 AWG, serves as ground.
- Polyolefin (EPR) outer sheath insulation 0.08" (2 mm) thick.

Watt density

- 50W/sq. ft. (538W/sq. m) at 240V and 347V, 37.5 W/sq. ft. (404W/sq. m) at 208V, 3" (76 mm) spacing.

Dimension

- 24" (610 mm) and 36" (914 mm) wide mats offered in several lengths.

Cold lead

- 16' 4" (5 m) long.
- 12 AWG or 14 AWG (according to maximum allowable load).
- PVC outer sheath insulation 0.03" (0.76 mm) thick.
- 3/8" (9.5 mm) outer diameter.

Control

- See controller and sensor options at pages 3 and 4.

Note: This product must be installed with a ground fault circuit interrupter (GFCI).

Included materials

- Electrical fault indicator (OTM-CC).
- Measurements table label (to be placed in electrical panel).

Installation

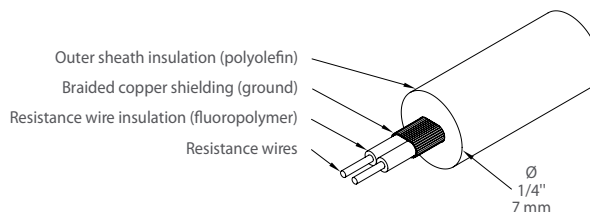
- **Never cut or shorten the heating cable.**
- For outdoor applications only.
- The heating cable must be completely embedded in concrete, asphalt or stone dust under paving.
- Install caution plaque (OWS-CAUT) on the heated surface to identify the presence of snow melting heating cable (NEC 426.13 Identification) United States only.
- Minimum installation temperature -15 °C (5 °F).
- Maximum long-term exposure temperature 105 °C (221 °F).
- Maximum exposure temperature for 10 minutes 220 °C (428 °F).

Warranty

- 10-year warranty on heating cable.

Application

- Residential driveway, sidewalk, access ramp, underground parking ramp.



OWS-T 24 in. (610 mm) Wide Mat Models

Watts ¹	Product # 240/208V	Amp.	Covered surface ²		Mat length (X)		Cable length ³		Weight	
			sq. ft.	sq. m	ft.	m	ft.	m	lb	kg
500	OWS-T0500-24	2.08	11	1	5	1.5	43	13.1	3.0	1.4
1000	OWS-T1000-24	4.17	22	2	10	3	86	26.2	5.0	2.3
1500	OWS-T1500-24	6.25	32.5	3	15	4.6	128	39	7.0	3.2
2000	OWS-T2000-24	8.33	43.5	4	20	6.1	171	52.1	10.0	4.5
2500	OWS-T2500-24	10.42	54	5	25	7.6	214	65.2	12.5	5.7
3000	OWS-T3000-24	12.50	65	6	30	9.1	257	78.4	15.0	6.8
4000	OWS-T4000-24	16.67	86.5	8.1	40	12.2	342	104.3	20.0	9.1
5000	OWS-T5000-24	20.83	108.5	10.1	50	15.2	428	130.5	25.0	11.4
6000	OWS-T6000-24	25.00	130	12.1	60	18.3	513	156.4	30.0	13.6

OWS-T 36 in. (914 mm) Wide Mat Models

Watts ¹	Product # 240/208V	Amp.	Covered surface ²		Mat length (X)		Cable length ³		Weight	
			sq. ft.	sq. m	ft.	m	ft.	m	lb	kg
450	OWS-T0450-36	1.88	9.5	0.9	3	0.9	38	11.6	2.5	1.1
750	OWS-T0750-36	3.13	16	1.5	5	1.5	63	19.2	3.5	1.6
1050	OWS-T1050-36	4.38	22	2	7	2.1	88	26.8	5.0	2.3
1500	OWS-T1500-36	6.25	31.5	2.9	10	3	126	38.4	8.0	3.6
3000	OWS-T3000-36	12.50	63.5	5.9	20	6.1	251	76.5	15.0	6.8
4500	OWS-T4500-36	18.75	95	8.8	30	9.1	377	114.9	22.5	10.2
6000	OWS-T6000-36	25.00	126.5	11.8	40	12.2	502	153	30.0	13.6

Installation Options

Product #	Description
OWS-CAUT ⁴	Caution plaque
OTM-CC	CableCheck – Electrical fault indicator
OW-G82-G	82 ft. galvanized steel strapping
OW-KIT	Heating cable repair kit
OW-TYW	Bag of 100 plastic tie-wraps

¹ 208V = 75% of wattage at 240V.

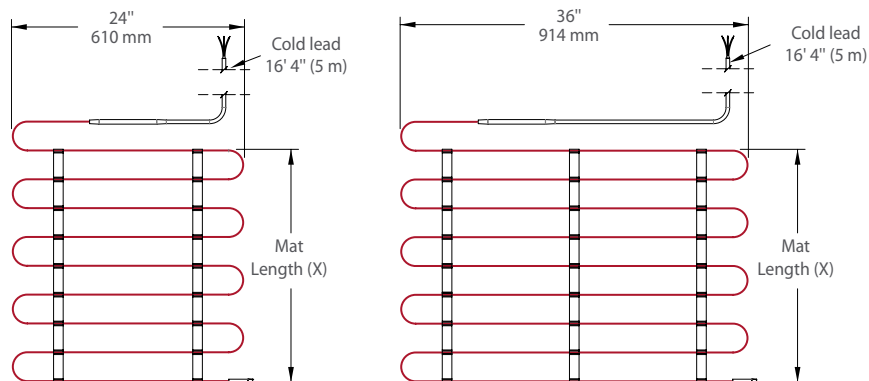
² Represents the area covered by the mat including 2" (51 mm) spacing between the mat strips but excluding fixed elements to be bypassed and any other required clearances.

³ Represents the total length of the heating cable if it is detached from the flexible strips.

⁴ In compliance with the National Electrical Code (NEC 426.13 Identification).

Controller and Sensor Options

See features at page 45 and 46.



ETO2 Dual-zone Electronic Controller for Heating Cable OWS Series



ETO2



ETOG
(sold separately)



ETOG-56
(sold separately)



Features

Type

- Dual-zone electronic controller.
- Automatic detection of humidity and temperature, in combination with a ground sensor (see available ground sensor models, sold separately).

Color

- Standard : white.

Power

- 120-240V, 50/60 Hz.

Rating

- 1-zone: 3 output relays of 16A each.
- 2-zone: 2 output relays of 16A each.

Construction

- IP20/NEMA 1 rated enclosure, for indoor installation.

Control

- Dry contact relay output, NO (normally open).

Trigger temperature range

- -22 °C (-7.6 °F) to 50 °C (122 °F).

Display

- Backlit digital display.

Mode

- 1-zone.
- 2-zone, individually controlled.

Installation

- DIN-rail mounted in approved panel (not included) or wall mounted in ETO2-BOX mounting box (see options, sold separately).
- Install ground sensor inside heated surface in a clear space that will receive precipitations.

Other feature

- Choice of temperature display format (°C or °F).
- Adjustment of temperature offset per zone.
- Adjustment of afterrun time per zone.
- Alarm relay output (5A).

Warranty

- 3-year warranty against defects.

Application

- For controlling snow melting heating cable OWS series.
- Residential driveway, sidewalk, access ramp, underground parking ramp.

Models

Product #	Description	Amp.	Volts
Controller Model			
ETO2 ¹	Dual-zone electronic controller	3 X 16A	120-240
Ground Sensor Models			
ETOG	Ground sensor to detect humidity and temperature with 33 ft. (10 m) side entry cable	-	-
ETOG-56	Ground sensor to detect humidity and temperature with 80 ft. (25 m) bottom entry cable	-	-

Options

Product #	Description
ETO2-BOX	Mounting box for dual-zone electronic controller ETO2
ETOK-1	Mounting tube for ground sensor ETOG-56

¹ Requires a ground fault circuit interrupter (GFCI) in the electrical panel.

DS-2C Aerial Mounted Sensor and Controller for Heating Cable OWS Series



Features

Type

- 2-in-1 sensor and controller.
- Precipitation sensor on top of unit.
- Temperature sensor below the unit.

Color

- Standard : grey.

Power

- 100-277V, 50/60 Hz.

Rating

- 30A at 277VAC, 20A at 28VDC.

Construction

- NEMA 3R rated enclosure, for outdoor installation.

Control

- Dry contact relay output, NO (normally open).

Trigger temperature range

- 1 °C (34 °F) to 6 °C (44 °F).

Display

- Power and activation light indicator.

Mode

- Control switch on the side of the unit to select operating mode: manual, automatic or standby/reset.

Installation

- Screw 3/4" base conduit hub onto free-standing conduit, or use mounting holes in each corner of the enclosure for wall mounting.
- Install controller in a clear space that will receive precipitations.

Note: It is recommended to mount a weatherproof junction box below the controller to make electrical connections.

Other feature

- Adjustment of drying cycle timer (DELAY OFF).
- Adjustment of precipitation sensor sensitivity (SENSITIVITY).

Warranty

- 2-year warranty against defects.

Application

- For controlling snow melting heating cable OWS series.
- Residential driveway, sidewalk, access ramp, underground parking ramp.

Model

Product #	Description	Amp.	Volts
DS-2C ¹	Aerial mounted sensor and controller to detect humidity and temperature	30A 20A	277VAC 28VDC

¹ Requires a ground fault circuit interrupter (GFCI) in the electrical panel.

OCP Kickspace Heater



Features

Color

- Standard: semi-gloss black, white, almond.
- Optional: metallic silver, bronze, metallic charcoal, textured black, beige-grey, aluminum.
- Custom colors available upon request.

Finish

- Standard: epoxy/polyester powder paint.

Voltage

- 120V, 240/208V, 1-phase.

Construction

- 20-gauge steel.
- 1000W standard. Possibility of 500W in field (see installation instructions).
- High-limit temperature control with automatic reset (first level).
- High-limit temperature control with manual reset (second level).

Fan

- 80 cfm fan (44.5 dBA).
- Factory-lubricated motor.

Heating element

- Two elements of 500W (1000W in parallel).
- Durable tubular heating element with fins.

Control

- Built-in thermostat kit available.

Note: If an electronic thermostat is used, it must be compatible with forced-air heaters.

Installation

- Do not install the heater near thermosensitive materials.
- Garnishing frame included.

Warranty

- 1-year warranty against defects.

Application

- Kitchen, bathroom, recessed in stair risers.

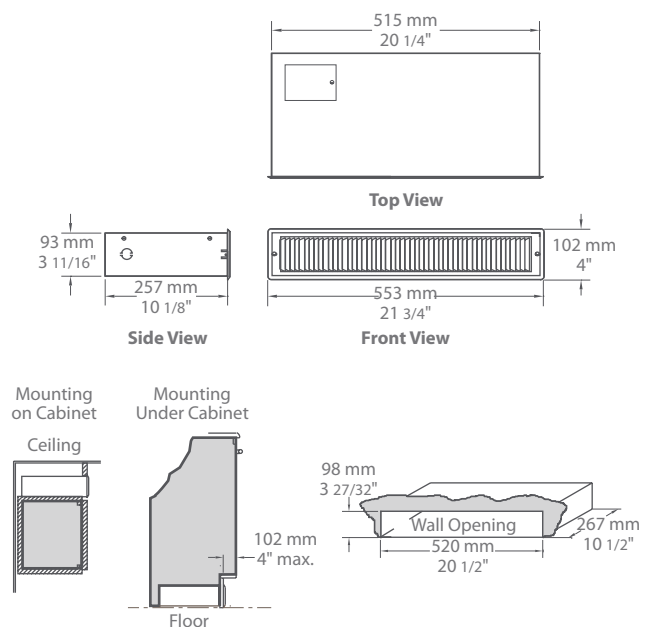
Models

Product #	Volts	Watts	Weight	
			lb	kg
OCPU1002	120	500 1000	13.0	5.9
OCPU1000	240/208	500/375 1000/750	13.0	5.9

Options

Product #	Description	Factory Installed	Kit
OCP-TB6	Single-pole bi-metal thermostat	✓	✓
OCP-TB26 ¹	Double-pole bi-metal thermostat	✓	✓

¹ "Off" position.
Add "NL" for semi-gloss black, "BL" for white, "AM" for almond.
Optional colors shown in the color chart section are available upon request.



OFH Forced-Air Floor Heater



Features

Color

- Standard: bronze, white, almond.
- Optional: metallic silver, metallic charcoal, textured black, beige-grey, aluminum, semi-gloss black.
- Custom colors available upon request.

Finish

- Standard: epoxy/polyester powder paint.

Voltage

- 120V, 240/208V, 1-phase.

Construction

- Welded 20-gauge steel.
- Sturdy floor grille (14-gauge).
- Protective screen keeps foreign objects from falling into the unit.
- High-limit temperature control with manual reset.

Fan

- Large diameter, quiet fan operating at 43.9 dBA at 80 cfm.
- Factory-lubricated motor.

Heating element

- Durable tubular heating element with fins.

Installation

- Minimum clearance from adjacent walls: 6 in. (15.2 cm).
- Large wiring compartment.

Warranty

- 1-year warranty against defects.

Application

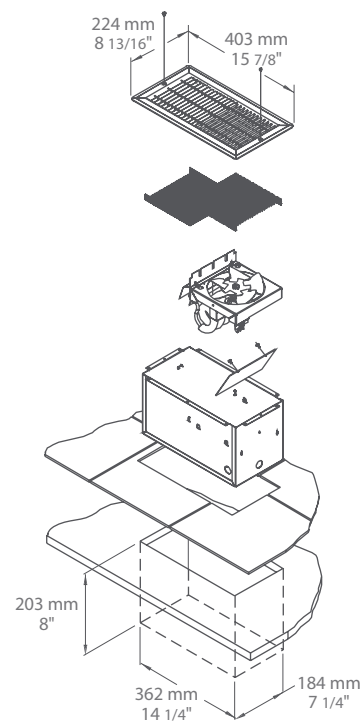
- Bay window, near patio door.

Note: If an electronic thermostat is used, it must be compatible with forced-air heaters.

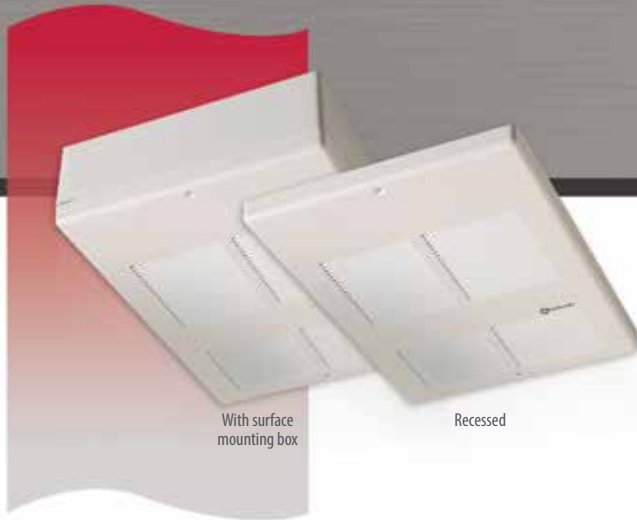
Models

Product #	Volts	Watts	Weight	
			lb	kg
OFH0502	120	500	16.0	7.3
OFH1002	120	1000	16.0	7.3
OFH1502	120	1500	16.0	7.3
OFH0500	240/208	500/375	16.0	7.3
OFH1000	240/208	1000/750	16.0	7.3
OFH1500	240/208	1500/1125	16.0	7.3

Add "BZ" for bronze, "BL" for white, "AM" for almond.
Optional colors shown in the color chart section are available upon request.



OACP Commercial Ceiling Heater



Features

Color

- Standard: white, almond.
- Optional: metallic silver, bronze, metallic charcoal, textured black, beige-grey, aluminum, semi-gloss black.
- Custom colors available upon request.

Finish

- Standard: epoxy/polyester powder paint.

Voltage

- 120V, 208V, 240/208V, 277V, 347V, 480V, 600V, 1-phase.

Construction

- 18-gauge steel front cover.
- High-limit temperature control with automatic reset.

Fan

- Factory-lubricated motor (open and ventilated).
- 160 cfm fan (single unit: 55.5 dBA), 2 X 160 cfm fan (double unit: 58.5 dBA).
- Fan delay purges heater of residual heat.

Heating element

- Durable tubular heating element with fins.

Control

- 240/208V control circuit standard with contactor when needed (except 120V model).
- 24V relay, with or without transformer available.
- Built-in thermostat available.

Note: If an electronic thermostat is used, it must be compatible with forced-air heaters.

Any remote thermostat or relay must be connected to the heater control terminal block.

Installation

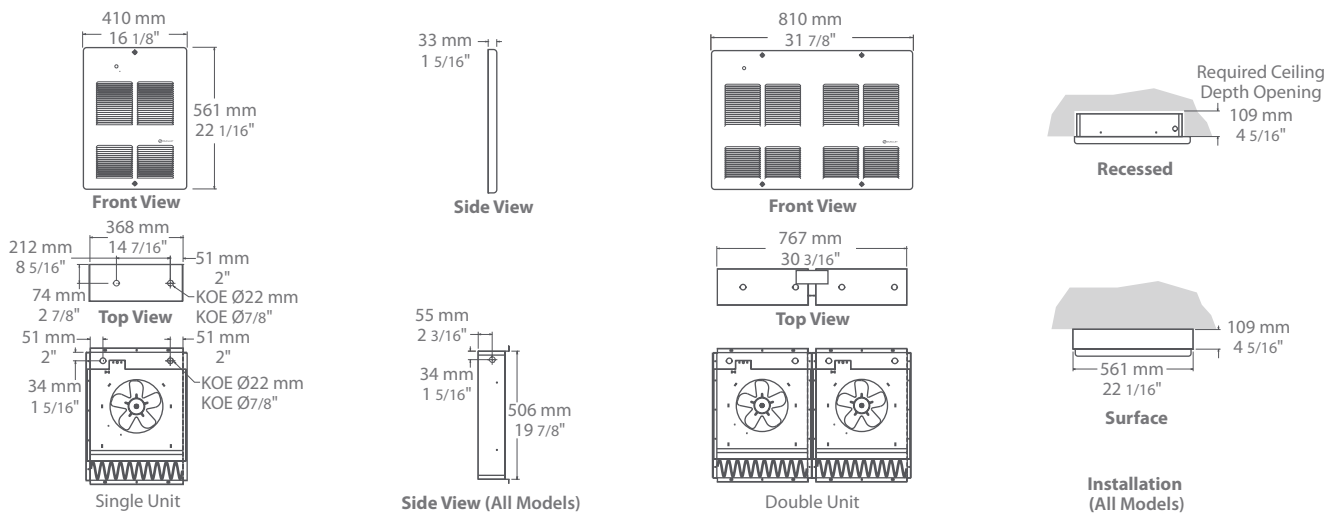
- Maximum recommended installation height: 10 ft. (3 m).
- Minimum clearance from adjacent walls: 10 in. (25.4 cm).
- Adaptor for surface mounting available.
- Adaptor for T-Bar ceiling available.

Warranty

- 1-year warranty against defects.

Application

- Apartment building, commercial building, drop ceiling, stairwell, garage.



OACP

Models

Product #	Volts	Watts	Weight		Unit
			lb	kg	
OACPU1502	120	1500	24.0	10.9	single
OACPU4008	208	4000	24.0	10.9	single
OACPU4808	208	4800	24.0	10.9	single
OACPU8008	208	8000	50.0	22.7	double
OACPU1500	240/208	1500/1125	24.0	10.9	single
OACPU2000	240/208	2000/1500	24.0	10.9	single
OACPU3000	240/208	3000/2250	24.0	10.9	single
OACPU4000	240/208	4000/3000	24.0	10.9	single
OACPU4800	240/208	4800/3600	24.0	10.9	single
OACPU6000	240/208	6000/4500	50.0	22.7	double
OACPU8000	240/208	8000/6000	50.0	22.7	double
OACPU1577	277	1500	28.0	12.7	single
OACPU2077	277	2000	28.0	12.7	single
OACPU3077	277	3000	28.0	12.7	single
OACPU4077	277	4000	28.0	12.7	single
OACPU6077	277	6000	50.0	22.7	double
OACPU8077	277	8000	50.0	22.7	double
OACPU1504	480	1500	28.0	12.7	single
OACPU2004	480	2000	28.0	12.7	single
OACPU3004	480	3000	28.0	12.7	single
OACPU4004	480	4000	28.0	12.7	single
OACPU6004	480	6000	50.0	22.7	double
OACPU08004	480	8000	50.0	22.7	double

Options

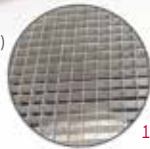
Product #	Description	Factory Installed	Kit
OAWH-BSA	Surface mounting box for an extruded aluminum front grille, single unit	-	✓
OAWH-BSA2	Surface mounting box for an extruded aluminum front grille, double unit	-	✓
OAC-BS1	Surface mounting box, single unit	-	✓
OAC-BS2	Surface mounting box, double unit	-	✓
OAC-DVA	Extruded aluminum front grille, single unit	-	✓
OAC-DVA2	Extruded aluminum front grille, double unit	-	✓
OACP-DIS20	Disconnect switch, double-pole, 20A at 240V	✓	✓
OACP-DIS40	Disconnect switch, triple-pole, 40A at 600V	✓	✓
OACP-R	24V control relay, without transformer	✓	✓
OACP-RT ¹	24V control relay, with transformer	✓	-
OACP-T	Thermostat	✓	✓
OACP-T-BAR	Adaptor for T-bar ceiling installation, 23 3/4 in. X 23 3/4 in. (602 mm X 602 mm), single unit	-	✓
OACP-T-BAR2	Adaptor for T-bar ceiling installation, 23 3/4 in. X 47 11/16 in. (602 mm X 1211 mm), double unit	-	✓

¹ Not compatible with models at 120V.

Add "BL" for white, "AM" for almond.

Optional colors shown in the color chart section are available upon request.

ODS Ceiling Forced-Air Diffuser



ODSR Recessed

ODSA (2kW to 5kW)
ODSB (7.5kW to 10kW)
Surface

Features

Color

- Standard: white, almond.
- Optional: metallic silver, bronze, metallic charcoal, textured black, beige-grey, aluminum, semi-gloss black.
- Custom colors available upon request.

Finish

- Standard: epoxy/polyester powder paint.

Voltage

- 208V, 240V, 277V, 347V, 480V, 600V, 1 or-3 phase.

Construction

- Outlet grille made of flat ribbon wire. **1**
- High-limit temperature control with automatic reset. **2**

Fan

- Totally enclosed and lifetime-lubricated ball bearing motor.
- Fan delay purges heater of residual heat. **3**

Heating element

- Three stainless steel tubular heating elements with aluminum fins. **5**

Control

- Line voltage control standard.
- Built-in 240V contactor for: all units from 5 to 10kW, all units at 347V, 480V, 600V, all units at 3-phase.
- 24V and 120V control circuit available.
- Built-in tamperproof thermostat available.
- 24V relay (with or without transformer) available.
- Continuous circulation controlled by a built-in switch with power-on indicator light available (-CV).

Any remote thermostat or relay must be connected to the heater control terminal block. **4**

Installation

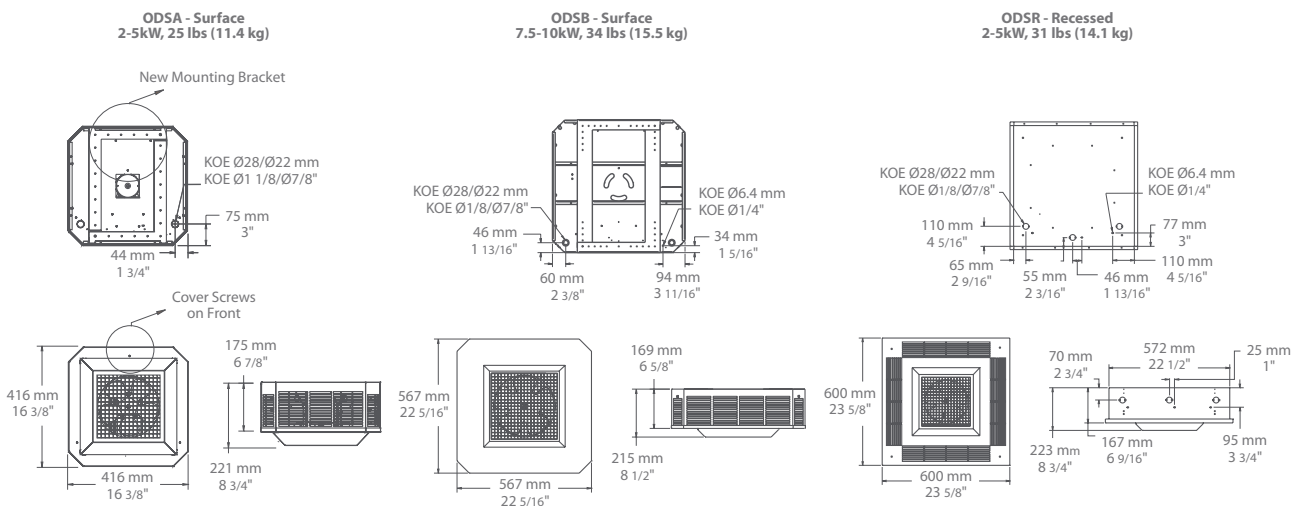
- Recommended height: between 8 ft. (2.4 m) and 12 ft. (3.6 m).
- Recessed into insulated or T-bar ceiling (ODSR).
- Surface mounting (ODSA and ODSB).

Warranty

- 1-year warranty against defects.
- 10-year warranty on the heating elements.

Application

- Apartment building, commercial building, drop ceiling, stairwell, garage.



ODS

Models

Watts	Volts (ph)	Product #	Volts (ph)	Product #	cfm	Temperature Rise		Motor	
						°C	°F	HP	rpm
ODSA Surface									
2000	240 (1)	ODSAU02000	240 (3)	ODSAU02030	310	11	20	1/50	1550
3000	240 (1)	ODSAU03000	240 (3)	ODSAU03030	310	17	30	1/50	1550
4000	240 (1)	ODSAU04000	240 (3)	ODSAU04030	310	23	41	1/50	1550
5000	240 (1)	ODSAU05000	240 (3)	ODSAU05030	310	28	51	1/50	1550
2000	208 (1)	ODSAU02008	208 (3)	ODSAU02038	310	11	20	1/50	1550
3000	208 (1)	ODSAU03008	208 (3)	ODSAU03038	310	17	30	1/50	1550
4000	208 (1)	ODSAU04008	208 (3)	ODSAU04038	310	23	41	1/50	1550
5000	208 (1)	ODSAU05008	208 (3)	ODSAU05038	310	28	51	1/50	1550
2000	277 (1)	ODSAU02077	-	-	310	11	20	1/50	1550
3000	277 (1)	ODSAU03077	-	-	310	17	30	1/50	1550
4000	277 (1)	ODSAU04077	-	-	310	23	41	1/50	1550
5000	277 (1)	ODSAU05077	-	-	310	28	51	1/50	1550
2000	480 (1)	ODSAU02004	480 (3)	ODSAU02034	310	11	20	1/50	1550
3000	480 (1)	ODSAU03004	480 (3)	ODSAU03034	310	17	30	1/50	1550
4000	480 (1)	ODSAU04004	480 (3)	ODSAU04034	310	23	41	1/50	1550
5000	480 (1)	ODSAU05004	480 (3)	ODSAU05034	310	28	51	1/50	1550
ODSB Surface									
7500	240 (1)	ODSBU07500	240 (3)	ODSBU07530	600	22	39	1/33	1550
10000	240 (1)	ODSBU10000	240 (3)	ODSBU10030	600	29	53	1/33	1550
7500	208 (1)	ODSBU07508	208 (3)	ODSBU07538	600	22	39	1/33	1550
9900	208 (1)	ODSBU09908	208 (3)	ODSBU09938	600	29	53	1/33	1550
7500	277 (1)	ODSBU07577	-	-	600	22	39	1/33	1550
10000	277 (1)	ODSBU10077	-	-	600	29	53	1/33	1550
7500	480 (1)	ODSBU07504	480 (3)	ODSBU07534	600	22	39	1/33	1550
10000	480 (1)	ODSBU10004	480 (3)	ODSBU10034	600	29	53	1/33	1550
ODSR Recessed									
2000	240 (1)	ODSRU02000	240 (3)	ODSRU02030	310	11	20	1/50	1550
3000	240 (1)	ODSRU03000	240 (3)	ODSRU03030	310	17	30	1/50	1550
4000	240 (1)	ODSRU04000	240 (3)	ODSRU04030	310	23	41	1/50	1550
5000	240 (1)	ODSRU05000	240 (3)	ODSRU05030	310	28	51	1/50	1550
2000	208 (1)	ODSRU02008	208 (3)	ODSRU02038	310	11	20	1/50	1550
3000	208 (1)	ODSRU03008	208 (3)	ODSRU03038	310	17	30	1/50	1550
4000	208 (1)	ODSRU04008	208 (3)	ODSRU04038	310	23	41	1/50	1550
5000	208 (1)	ODSRU05008	208 (3)	ODSRU05038	310	28	51	1/50	1550
2000	277 (1)	ODSRU02077	-	-	310	11	20	1/50	1550
3000	277 (1)	ODSRU03077	-	-	310	17	30	1/50	1550
4000	277 (1)	ODSRU04077	-	-	310	23	41	1/50	1550
5000	277 (1)	ODSRU05077	-	-	310	28	51	1/50	1550
2000	480 (1)	ODSRU02004	480 (3)	ODSRU02034	310	11	20	1/50	1550
3000	480 (1)	ODSRU03004	480 (3)	ODSRU03034	310	17	30	1/50	1550
4000	480 (1)	ODSRU04004	480 (3)	ODSRU04034	310	23	41	1/50	1550
5000	480 (1)	ODSRU05004	480 (3)	ODSRU05034	310	28	51	1/50	1550

Options

Product #	Description	Factory Installed	Kit
ODS-120	120V control circuit	✓	-
ODS-CV	Summer fan switch and pilot light	✓	-
ODS-DIS20	Disconnect switch, double-pole, 20A at 277V and less	✓	✓
ODS-DIS40	Disconnect switch, triple-pole, 40A at 600V max.	✓	✓
ODS-DIS80	Disconnect switch, triple-pole, 80A at 600V	✓	✓
ODS-R	24V control relay, without transformer	✓	✓
ODS-R/CV-24	Summer fan relay 24V, remote control and pilot light (switch not included)	✓	-
ODS-R/CV-240	Summer fan relay 240V, remote control and pilot light (switch not included)	✓	-
ODS-RT	24V control relay, with transformer	✓	-
ODS-T-AV	Thermostat tamperproof	✓	✓
ODS-T-BAR	Adaptor for T-bar ceiling, ODSA only	-	✓

Add "BL" for white, "AM" for almond.
Optional colors shown in the color chart section are available upon request.

OCA Forced-Air Cabinet Unit Heater



Features

Color

- Standard: white, almond.
- Optional: metallic silver, bronze, metallic charcoal, textured black, beige-grey, aluminum, semi-gloss black.
- Custom colors available upon request.

Finish

- Standard: epoxy/polyester powder paint.

Voltage

- 208V, 240V, 277V, 347V, 480V, 600V, 1 or 3-phase.

Construction

- 18-gauge steel.
- Extruded aluminum bar grilles prevent insertion of foreign objects. **1**
- Field changeable air inlet and outlet. **1**
- High-limit temperature control with automatic reset.
- 240V control circuit included. **2**
- Optional fresh air inlet damper.
- Optional air filters.

Fan

- Direct drive, variable speed squirrel-cage fan operating. **3**
- Fan delay.
- 240/208V factory-lubricated motor (1/15 HP). **4**
- 2 speed-motor available (1600/1500 rpm).

Heating element

- Durable tubular heating element with fins. **5**

Length

- Four cabinet lengths are available: 28 in. (711 mm), 48 in. (1219 mm), 66 in. (1676 mm), 80 in. (2032 mm).

Control

- Wide range of control available.

Ouellet highly recommends the use of a wall thermostat for greater comfort.

Installation

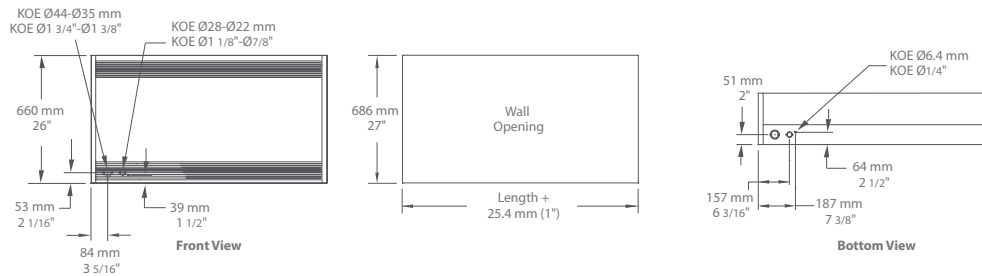
- Multi-position mounting (surface, semi-recessed, recessed).
- Maximum recommended installation height: 10 ft. (3 m).
- Recess trim kit available for recessed or semi-recessed units.
- Sub-base and special back plate available.

Warranty

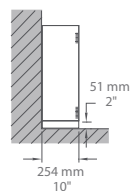
- 1-year warranty against defects.

Application

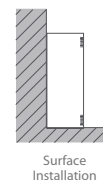
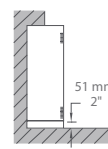
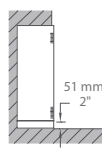
- Hallway, entry way, exhibition center.



Installation with Sub-Base



Installation with Recess Trim Kit



OCA

Modèles

Watts		cfm		Product #					Length		Weight	
Hi	Lo	Hi	Lo	208V (3 ph)	240V (1 ph)	240V (3 ph)	277V (1 ph)	480V (3 ph)	in.	mm	lb	kg
2000	1333	250	200	OCAU02038 ¹	OCAU02000	OCAU02030	OCAU02077	OCAU02034 ¹	28	711	115.0	52.3
3000	1000	250	200	OCAU03038 ¹	OCAU03000	OCAU03030	OCAU03077	OCAU03034 ¹	28	711	115.0	52.3
4000	2667	250	200	OCAU04038 ¹	OCAU04000	OCAU04030	OCAU04077	OCAU04034 ¹	28	711	115.0	52.3
5000	3333	250	200	OCAU05038 ¹	OCAU05000	OCAU05030	OCAU05077	OCAU05034 ¹	28	711	115.0	52.3
6000	4000	250	200	OCAU06038 ¹	OCAU06000	OCAU06030	OCAU06077	OCAU06034 ¹	28	711	115.0	52.3
8000	4000	500	400	OCAU08038	OCAU08000	OCAU08030	OCAU08077	OCAU08034 ¹	48	1219	146.0	66.4
10000	5000	500	400	OCAU10038	OCAU10000	OCAU10030	OCAU10077	OCAU10034 ¹	48	1219	146.0	66.4
12000	6000	500	400	OCAU12038	OCAU12000	OCAU12030	OCAU12077	OCAU12034 ¹	48	1219	146.0	66.4
15000	10000	750	600	OCAU15038	OCAU15000	OCAU15030	-	OCAU15034 ¹	66	1676	210.0	95.5
18000	12000	750	600	OCAU18038	OCAU18000	OCAU18030	-	OCAU18034 ¹	66	1676	210.0	95.5
20000	10000	1000	800	OCAU20038	OCAU20000	OCAU20030	-	OCAU20034 ¹	80	2032	240.0	109.1
24000	12000	1000	800	OCAU24038	OCAU24000	OCAU24030	-	OCAU24034 ¹	80	2032	240.0	109.1

Options

Product #	Description	Factory Installed	Kit
OCA-120/XXX	120V control circuit (XXX=208V, 240V, 277V, 347V, 480V, 600V)	✓	-
OCA-3P	Triple-pole contactor	✓	-
OCA-AF ²	Fresh air inlet	✓	-
OCA-AFM ²	Power-operated fresh air inlet	✓	-
OCA-DIS40	Disconnect switch, 40A	✓	-
OCA-DIS80	Disconnect switch, 80A	✓	-
OCA-HL	Hi/Lo power switch	✓	-
OCA-IV	On/Auto fan switch	✓	✓
OCA-O/O	On/Standby heating switch	✓	✓
OCA-R	24V control relay, without transformer	✓	✓
OCA-RH/L ³	24V Hi/Lo power relay, with transformer	✓	-
OCA-RO/O ³	24V On/Standby heating relay, with transformer	✓	-
OCA-RT	24V control relay, with transformer	✓	✓
OCA-RV ³	24V fan relay, with transformer	✓	-
OCA-T-AV	Single-pole thermostat, tamperproof	✓	✓
OCA-T2S	2-stage thermostat, tamperproof	✓	-
Recess trim kit, 2 in. (51 mm)			
OCA-CR-28	28 in. (711 mm) Models	-	✓
OCA-CR-48	48 in. (1219 mm) Models	-	✓
OCA-CR-66	66 in. (1676 mm) Models	-	✓
OCA-CR-80	80 in. (2032 mm) Models	-	✓

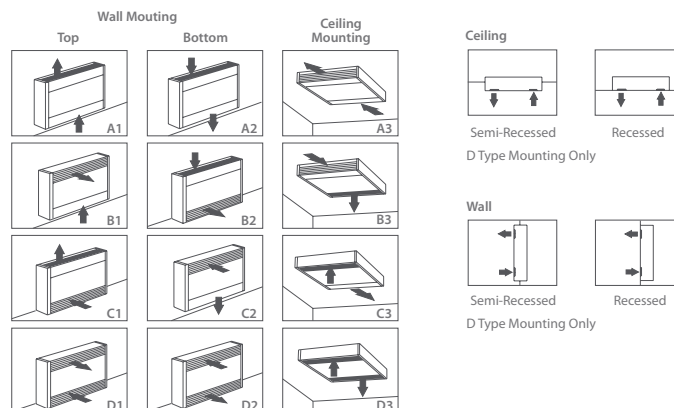
Product #	Description	Factory Installed	Kit
Special back plate			
OCA-DU-28	28 in. (711 mm) Models	-	✓
OCA-DU-48	48 in. (1219 mm) Models	-	✓
OCA-DU-66	66 in. (1676 mm) Models	-	✓
OCA-DU-80	80 in. (2032 mm) Models	-	✓
Air filter, wall installation only			
OCA-FI-28	28 in. (711 mm) Models	✓	✓
OCA-FI-48	48 in. (1219 mm) Models	✓	✓
OCA-FI-66	66 in. (1676 mm) Models	✓	✓
OCA-FI-80	80 in. (2032 mm) Models	✓	✓
Washable air filter, wall installation only			
OCA-FIW-28	28 in. (711 mm) Models	✓	✓
OCA-FIW-48	48 in. (1219 mm) Models	✓	✓
OCA-FIW-66	66 in. (1676 mm) Models	✓	✓
OCA-FIW-80	80 in. (2032 mm) Models	✓	✓
Sub-base, 2 in. (51 mm)			
OCA-SO-28	28 in. (711 mm) Models	-	✓
OCA-SO-48	48 in. (1219 mm) Models	-	✓
OCA-SO-66	66 in. (1676 mm) Models	-	✓
OCA-SO-80	80 in. (2032 mm) Models	-	✓

¹ 1-phase available upon request (change the "3" for an "0" to the product number).

² Do not install a built-in thermostat with these options.

³ When one of these options is ordered, the heater control will automatically be shipped at 24V. Add "BL" for white, "AM" for almond.

Optional colors shown in the color chart section are available upon request.



OAE Economical Unit Heater



Features

Color

- Standard: almond.

Finish

- Standard: epoxy/polyester powder paint.

Voltage

- 240/208V, 1-phase.

Construction

- 20-gauge steel.
- Adjustable louvers to control warm air flow. **1**
- High-limit temperature control with automatic reset. **2**
- Electrical insulating mica plates. **3**

Fan

- 300 cfm fan (51 dBA).
- Totally enclosed factory-lubricated motor. **4**

Heating element

- Stainless steel tubular heating element. **5**

Control

- Built-in thermostat included.

Installation

- Mounting brackets for ceiling or wall installation included.
- Mounting brackets allow 360° rotation of the unit.

Warranty

- 1-year warranty against defects.

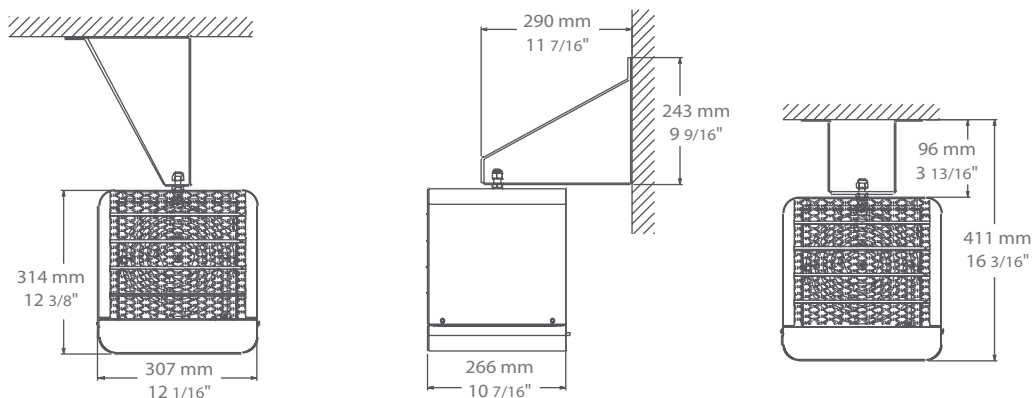
Application

- Garage, workshop.

Models

Product # ¹	Volts	Watts	BTU/hr	Weight	
				lb	kg
OAEU2000T	240/208	2000/1500	6824/5118	20.0	9.1
OAEU3000T	240/208	3000/2250	10236/7677	20.0	9.1
OAEU5000T	240/208	5000/3750	17060/12795	20.0	9.1

¹ Built-in thermostat and mounting brackets included.
Standard color is almond.



OCH Portable Heater



Grounded 3-Pronged Outlet



NEMA 6-20R
20A, 250VAC



NEMA 6-30R
30A, 250VAC

Features

Color

- Standard: almond.

Finish

- Standard: epoxy/polyester powder paint.

Voltage

- 240V, 1-phase.

Construction

- Handle may be used as a reel for the electric cable.
- 6 ft. (2 m) molded electric cable.
- High-limit temperature control with automatic reset.
- Electrical insulating mica plates.

Fan

- 300 cfm fan.

Heating element

- Stainless steel tubular heating element.

Temperature rise

- 28°C (51°F).

Control

- Built-in thermostat included.

Installation

- Not for residential use in the United States.
- 4000W may be plugged into 3-pronged, 20A, 250 VAC, 240V outlet.
- 4800W may be plugged into 3-pronged, 30A, 250 VAC, 240V outlet.

Note: Always unplug heater when not in use.

Warranty

- 1-year warranty against defects.

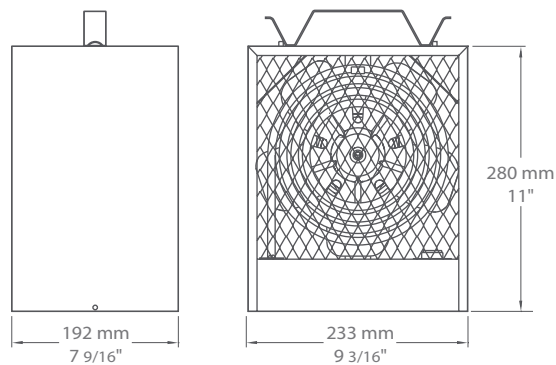
Application

- Workshop, garage.

Models

Product # ¹	Volts	Phase	Watts	Grounded 3-Pronged Outlet	Weight	
					lb	kg
OCH4000	240	1	4000	20A, 250VAC	11.0	5.0
OCH4800	240	1	4800	30A, 250VAC	11.0	5.0

¹ Built-in thermostat included.
Standard color is almond.



OCH-WB Red Portable Heater with Wall Bracket



Grounded 3-Pronged Outlet



NEMA 6-20R
20A, 250VAC



NEMA 6-30R
30A, 250VAC

Features

Color

- Standard: red.

Finish

- Standard: epoxy/polyester powder paint.

Voltage

- 240V, 1-phase.

Construction

- Handle may be used as a reel for the electric cable.
- 6 ft. (2 m) molded electric cable.
- High-limit temperature control with automatic reset.
- Electrical insulating mica plates.

Fan

- 300 cfm fan.

Heating element

- Stainless steel tubular heating element.

Temperature rise

- 28°C (51°F).

Control

- Built-in thermostat included.

Installation

- Not for residential use in the United States.
- 4000W may be plugged into 3-pronged, 20A 250VAC, 240V outlet.
- 4800W may be plugged into 3-pronged, 30A 250VAC, 240V outlet.
- Mounting bracket for wall or ceiling installation included.
- Mounting bracket allows 360° rotation of the unit.

Note: Always unplug heater when not in use.

Warranty

- 1-year warranty against defects.

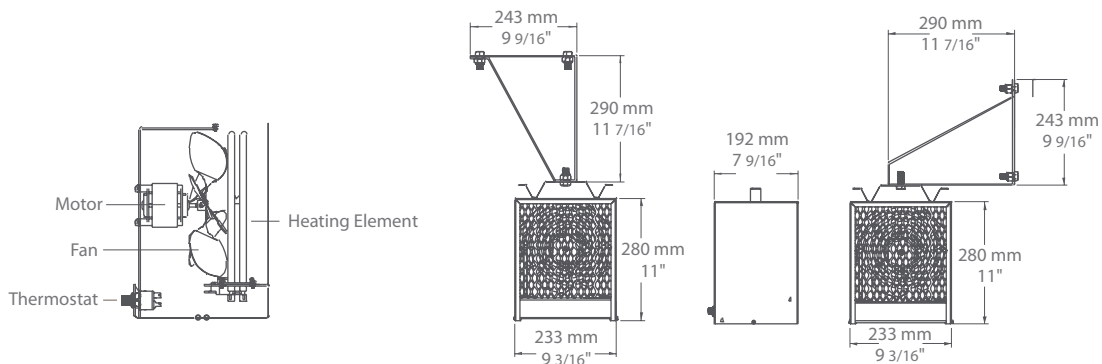
Application

- Workshop, construction site, garage.

Models

Product # ¹	Volts	Phase	Watts	Grounded 3-Pronged Outlet	Weight	
					lb	kg
OCH4000WB	240	1	4000	20A, 250VAC	11.0	5.0
OCH4800WB	240	1	4800	30A, 250VAC	11.0	5.0

¹ Built-in thermostat and mounting brackets included.
Standard color is red.



OHV-CC Cyclone Portable Unit Heater



Features

Color

- Standard: red and black.

Finish

- Standard: epoxy/polyester powder paint.

Voltage

- 240/208V, 1 phase.

Construction

- Positive off, double-pole, single-throw thermostat.
- Fan on/auto switch.
- Two level finger tip - high/low heat selector switch.
- Manual-reset over temperature protector.
- Specially designed outlet diffuser prevents foreign objects from entering heater.
- 18 and 20 gauge steel.
- Motor - totally enclosed - thermally protected.
- Draw-through design permits greater heat transfer.

Installation

- Versatile stand for floor, wall or ceiling mount.
- Adjustable bracket/knobs allows all angle rotation.
- 20A cordset (NEMA 6-20P) on 4kW heater.
- 30A cordset (NEMA 6-30P) on 5kW heater.

Warranty

- 1-year warranty against defects.

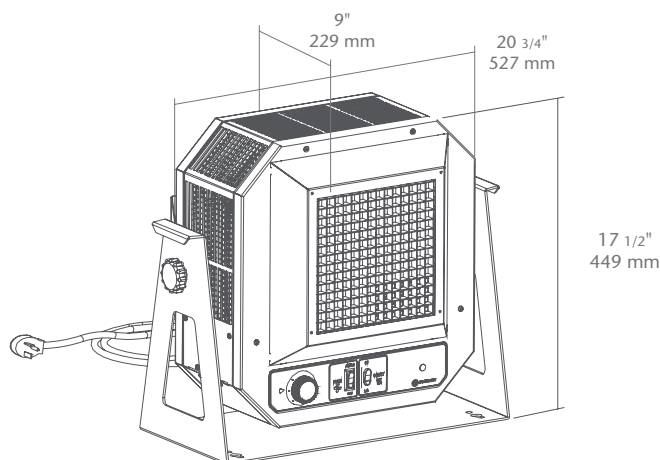
Application

- Construction job site, garage, workshop, unheated area.

Models

Product # ¹	Volts	Phase	kW	Amp.	Air Flow		Temperature Rise		Weight		Plug
					fpm	cfm	°C	°F	lb	kg	
OHV04000CC	240/208	1	4/3	16.7/14.4	800	310	23	41	42	19	NEMA 6-20P
OHV05000CC	240/208	1	5/3.8	20.8/18	800	310	28	51	42	19	NEMA 6-30P

¹ Units come standard with hi-lo heat setting, fan only switch, integral thermostat and combination wall/ceiling/floor mounting bracket. Standard color is red and black.



OHV-RF Cyclone Hard Wire Unit Heater



Features

Color

- Standard: almond and black.

Finish

- Standard: epoxy/polyester powder paint.

Voltage

- 240/208V, 1 phase.

Construction

- Positive off, double-pole, single-throw thermostat.
- Fan on/auto switch.
- Two level finger-tip high/low heat selector switch.
- Automatic reset over temperature protector.
- Specially designed outlet diffuser provides maximum air velocity and prevents foreign objects from entering heater.
- 18 and 20 gauge steel.
- Motor - totally enclosed - thermally protected.
- Draw-through design permits greater heat transfer.

Installation

- Minimum mounting height of 6 ft. (1.8 m).
- Maximum mounting height of 10 ft. (3 m).
- Versatile bracket for ceiling or wall mounting.
- Adjustable bracket allows all angle rotation.
- Large and easily accessible wiring compartment.

Warranty

- 1-year warranty against defects.

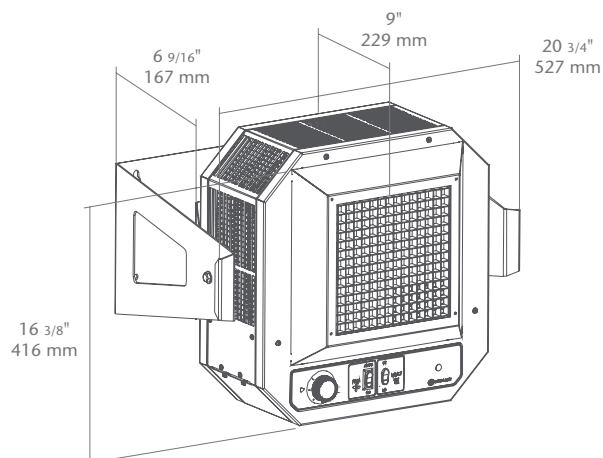
Application

- Factory, garage, school.

Model

Product # ¹	Volts	Phase	kW	Amp.	Air Flow		Temperature Rise		Weight	
					fpm	cfm	°C	°F	lb	kg
OHVU05000RF	240/208	1	5/3.8	20.8/18	800	310	28	51	42	19

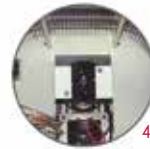
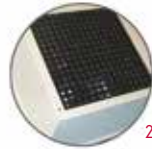
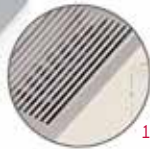
¹ Units come standard with hi-lo heat setting, fan only switch, integral thermostat and combination wall/ceiling/floor mounting bracket. Standard color is almond and black.



OHV Cyclone Commercial Unit Heater



Training available online www.ouellet.com



Features

Color

- Standard: almond.

Finish

- Standard: epoxy/polyester powder paint.

Voltage

- 208V, 240V, 277V, 347V, 480V, 600V, 1 or 3-phase.

Construction

- Draw-through design for more evenly heated air. **1**
- Specially designed outlet diffuser provides maximum air velocity. **2**
- Individually adjustable louvers to direct discharge air flow. **3**
- High-limit temperature control with automatic reset.
- 18 and 20 gauge steel.

Fan

- Motor - totally enclosed - thermally protected. **4**
- Motor mounted in ambient air stream, shielded from heating elements. **5**
- Fan delay purges heater of residual heat for longer life.

Heating element

- Stainless steel sheath with aluminum fins.
- Draw-through design permits greater heat transfer.

Control

- All models have factory installed contactor.
- 24V control circuit standard on all models (except 2 & 5kW, 208/240V heaters).
- 2 & 5kW, 208/240V heaters have 208/240V control (24V control available).
- Full line of unit mounted control accessories available (factory or field installed).

Installation

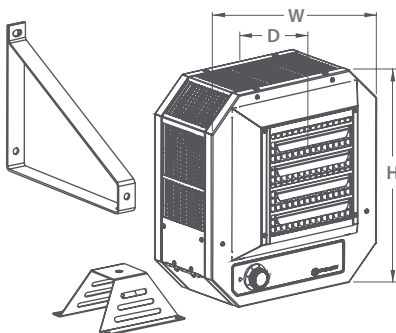
- Minimum mounting height of 6 ft. (1.8 m.)
- Horizontal or vertical discharge air flow.
- Includes wall and ceiling mounting brackets (for horizontal discharge air flow).
- For vertical air flow 4 welded nuts (for threaded rod 3/8 in. X 16 UNC) provided in heater back.
- Large and easily accessible control compartment.

Warranty

- 5-year warranty against defects.

Application

- Factory, warehouse, garage, store, shipping room.



kW	mm (in.)			Weight	
	H	W	D	lb	kg
2-5	419 (16 1/2)	400 (15 3/4)	229 (9)	40	18
7.5-10	622 (24 1/2)	559 (22)	276 (10 7/8)	67	30
15-20	622 (24 1/2)	559 (22)	413 (16 1/4)	90	41

OHV

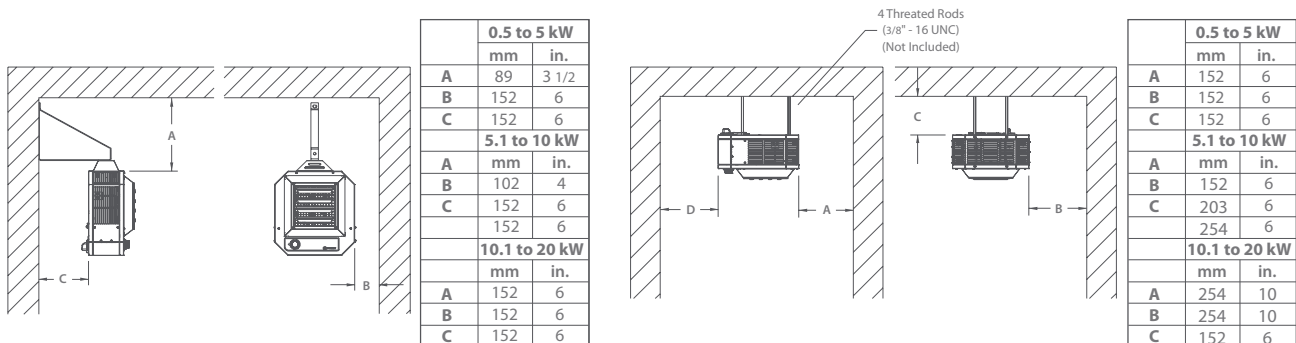
Models

Product #	Volts (ph)	kW	Control Voltage	BTU/hr	cfm	Temperature Rise		Motor	
						°C	°F	HP	rpm
OHVU02008	208 (1/3 ¹)	2	240/208	6824	310	11	20	1/50	1490
OHVU03008	208 (1/3 ¹)	3	240/208	10236	310	17	31	1/50	1490
OHVU05008	208 (1/3 ¹)	5	240/208	17060	310	28	51	1/50	1490
OHVU07508-24	208 (1/3 ¹)	7.5	24	25590	600	22	40	1/33	1490
OHVU09908-24	208 (1/3 ¹)	9.9	24	33780	600	29	52	1/33	1490
OHVU15038-24	208 (3)	15	24	51180	915	29	52	1/8	1490
OHVU02000	240/208 (1/3 ¹)	2/1.5	240/208	6824/5118	310	11	20	1/50	1550
OHVU03000	240/208 (1/3 ¹)	3/2.3	240/208	10236/7848	310	17	31	1/50	1550
OHVU05000	240/208 (1/3 ¹)	5/3.8	240/208	17060/12966	310	28	51	1/50	1550
OHVU07500-24	240/208 (1/3 ¹)	7.5/5.6	24	25590/19200	625	21	38	1/33	1550
OHVU10000-24	240/208 (1/3 ¹)	10/7.5	24	34120/25590	625	28	51	1/33	1550
OHVU15030-24	240/208 (3)	15/11.3	24	51180/38387	950	28	50	1/8	1550
OHVU19830-24	240/208 (3)	19.8/14.9	24	67560/50840	1300	27	49	1/8	1550
OHVU02077-24	277 (1)	2	24	6824	310	11	20	1/50	1550
OHVU03077-24	277 (1)	3	24	10236	310	17	31	1/50	1550
OHVU05077-24	277 (1)	5	24	17060	310	28	51	1/50	1550
OHVU07577-24	277 (1)	7.5	24	25590	625	21	38	1/33	1550
OHVU10077-24	277 (1)	10	24	34120	625	28	51	1/33	1550
OHVU02034-24	480 (3)	2	24	6824	310	11	20	1/50	1550
OHVU03034-24	480 (3)	3	24	10236	310	17	31	1/50	1550
OHVU05034-24	480 (3)	5	24	17060	310	28	51	1/50	1550
OHVU07534-24	480 (3)	7.5	24	25590	625	21	38	1/33	1550
OHVU10034-24	480 (3)	10	24	34120	625	28	51	1/33	1550
OHVU15034-24	480 (3)	15	24	51180	950	28	50	1/8	1550
OHVU20034-24	480 (3)	20	24	68240	1300	27	49	1/8	1550

Options

Product #	Description	Factory Installed	Kit
OHV-120	120V control circuit	✓	-
OHV-24	24V control circuit	✓	-
OHV-3P	Triple-pole contactor	✓	-
OHV-D4	Disconnect switch, triple-pole, 40A	✓	✓
OHV-D8	Disconnect switch, triple-pole, 80A	✓	✓
OHV-F1	Continuous fan switch, for 277V units and less (2 to 5kW)	✓	✓
OHV-F2	Continuous fan switch relay, for units over 277V (2 to 5kW)	✓	✓
OHV-F3	Continuous fan switch, for 277V units and less (7.5 to 20kW)	✓	✓
OHV-F4	Continuous fan switch, for units over 277V (7.5 to 20kW)	✓	✓
OHV-FR	Unit mounted fan relay for remote fan control of heaters with 24V control circuit (remote fan switch not included)	✓	✓
OHV-HL	Hi/Lo switch (15 to 20kW)	✓	-
OHV-RT	24V relay, with transformer	✓	✓
OHV-T2S	2-stage thermostat (15 to 20kW)	✓	✓
OHV-T5	Single stage thermostat, for 10kW units and less	✓	✓
OHV-T6	Single stage thermostat, for units over 10kW	✓	✓

¹ Models with the indications "1/3" can be field converted from 1 to 3-phase.
 600V available upon request.
 Mounting hardware included.
 Standard color is almond.



OAS Industrial Suspended Unit Heater



Horizontal mounting



Vertical mounting
with diffuser cone



Features

Color

- Standard: almond.

Finish

- Standard: epoxy/polyester powder paint.

Voltage

- 208V, 240V, 277V, 347V, 480V, 600V, 1 or 3-phase.
- Some units may be field converted from 3 to 1-phase.

Construction

- 18 and 20-gauge steel.
- Adjustable louvres to direct air flow.
- High-limit temperature control with automatic reset.

Fan

- Motor mounted in cold compartment.
- Thermally-protected motor.
- Totally enclosed and factory-lubricated ball bearing motor (except for 15 to 25kW at 208/240V).
- 58 dBA fan (2 to 10kW), 67 dBA fan (15 to 30kW) and 77 dBA fan (40 to 60kW).
- Fan delay purges heater of residual heat.

Heating element

- Durable tubular heating elements; stainless steel (2 to 10kW); finned (15 to 60kW).
- Concentric disposition of heating elements.
- Factory sealed element upon request.

Control

- All models have a factory-installed contactor.
- 240/208V control circuit standard (with transformer if necessary).
- 24V relay, with or without transformer available.
- Built-in thermostat available.
- 120V control circuit available.

Ouellet highly recommends to use a wall thermostat for greater comfort. Any remote thermostat or relay must be connected to the heater control terminal block.

Installation

- Horizontal wall or ceiling mounting using one of two supplied brackets which allow 360° rotation.
(Horizontal mounting only for 40kW, 50kW and 60kW secured by 4 hooks [ceiling only].)
- Vertical mounting using 4 threaded rods 1/2 in. X 13 UNC (not included) (except option -MD).
- Diffuser cones available (except option -MD).
- Large and easily accessible control compartment.
- Maximum recommended height (horizontal): 2 to 10kW: 8 ft. (2.4 m); 15 to 30kW: 10 ft. (3 m); 40 to 60kW: 15 ft. (4.5 m).
- Protective screen allows lower mounting height (except 40 to 60kW).
- Minimum height of 8 ft. (2.4 m) for 40 to 60kW heaters.
- 30 °C (85 °F) maximum operating ambient temperature.

Warranty

- 1-year warranty against defects.

Application

- Commercial hall, warehouse, stairwell, factory.

OAS

Models

Product #	Volts	Phase	kW (BTU/Hr)	cfm	Temperature Rise		HP	Motor	
					°C	°F		Volts	rpm
OASU02008	208	1	2.0 (6824)	510	7	13	1/30	208	1550
OASU03008	208	1	3.0 (10236)	510	10	18	1/30	208	1550
OASU04008	208	1	4.0 (13648)	510	14	25	1/30	208	1550
OASU05008	208	1	5.0 (17060)	700	13	23	1/30	208	1550
OASU05038	208	3/1 ¹	5.0 (17060)	700	13	23	1/30	208	1550
OASU07538	208	3/1 ¹	7.5 (25590)	700	19	34	1/30	208	1550
OASU10008	208	1	10.0 (34120)	700	25	45	1/30	208	1550
OASU10038	208	3	10.0 (34120)	700	25	45	1/30	208	1550
OASU15038	208	3	15.0 (51180)	1300	20	36	1/8	208	1550
OASU20038	208	3	20.0 (68240)	1300	27	49	1/8	208	1550
OASU25038	208	3	25.0 (85300)	1300	34	61	1/8	208	1550
OASU02000	240	1	2.0 (6824)	510	7	13	1/30	240	1550
OASU03000	240	1	3.0 (10236)	510	10	18	1/30	240	1550
OASU04000	240	1	4.0 (13648)	510	14	25	1/30	240	1550
OASU05000	240	1	5.0 (17060)	700	13	23	1/30	240	1550
OASU05030	240	3/1 ¹	5.0 (17060)	700	13	23	1/30	240	1550
OASU07500	240	1	7.5 (25590)	700	19	34	1/30	240	1550
OASU07530	240	3/1 ¹	7.5 (25590)	700	19	34	1/30	240	1550
OASU10000	240	1	10.0 (34120)	700	25	45	1/30	240	1550
OASU10030	240	3/1 ¹	10.0 (34120)	700	25	45	1/30	240	1550
OASU15030	240	3	15.0 (51180)	1300	20	36	1/8	240	1550
OASU20030	240	3	20.0 (68240)	1300	27	49	1/8	240	1550
OASU25030	240	3	25.0 (85300)	1300	34	61	1/8	240	1550
OASU02077	277	1	2.0 (6824)	510	7	13	1/30	240	1550
OASU03077	277	1	3.0 (10236)	510	10	18	1/30	240	1550
OASU04077	277	1	4.0 (13648)	510	14	25	1/30	240	1550
OASU05077	277	1	5.0 (17060)	700	13	23	1/30	240	1550
OASU07577	277	1	7.5 (25590)	700	19	34	1/30	240	1550
OASU02034	480	3	2.0 (6824)	510	7	13	1/30	240	1550
OASU03034	480	3	3.0 (10236)	510	10	18	1/30	240	1550
OASU04034	480	3	4.0 (13648)	510	14	25	1/30	240	1550
OASU05034	480	3	5.0 (17060)	700	13	23	1/30	240	1550
OASU07534	480	3	7.5 (25590)	700	19	34	1/30	240	1550
OASU10034	480	3	10.0 (34120)	700	25	45	1/30	240	1550
OASU15034	480	3	15.0 (51180)	1400	19	34	1/3	480	1725
OASU20034	480	3	20.0 (68240)	1400	25	45	1/3	480	1725
OASU25034	480	3	25.0 (85300)	1400	31	56	1/3	480	1725
OASU30034	480	3	30.0 (102360)	1400	38	68	1/3	480	1725
OASU40034	480	3	40.0 (136480)	2000	35	63	3/4	480	1140
OASU50034	480	3	50.0 (170600)	2000	44	79	3/4	480	1140
OASU60034	480	3	60.0 (204720)	2000	53	95	3/4	480	1140

¹ Models with the indications "3/1" can be field converted from 3 to 1-phase. Standard color is almond.

Add-MD to suffix for special Mine Duty Feature. 600V available upon request. 480V single phase available upon request.

Remember to change the 3 for 0 when ordering. Example: OASU05034 becomes OASU05004.

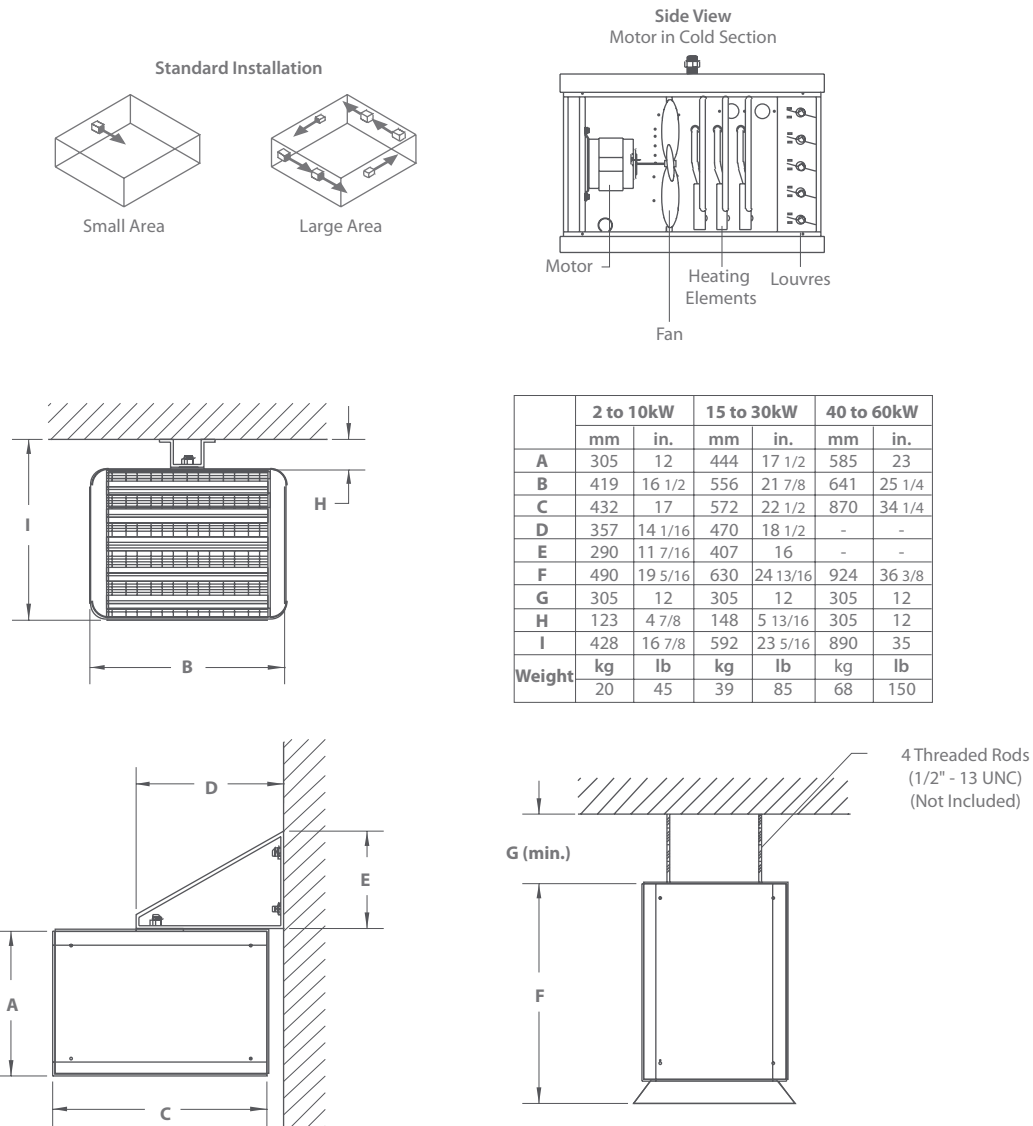
OAS

Options

Product #	Description	Factory Installed	Kit
OAS1-120/XXX	120V control circuit (XXX = 208V, 240V, 277V, 347V, 480V, 600V) 2 to 10kW units	√	-
OAS2-120/XXX	120V control circuit (XXX = 208V, 240V, 480V, 600V) 15 to 30kW units	√	-
OAS3-120/XXX	120V control circuit (XXX = 240V, 480V, 600V) 40 to 60kW units	√	-
OAS-3P	Triple-pole contactor	√	-
OAS-CD1	Diffuser cone, 2 to 10kW units	-	√
OAS-CD2	Diffuser cone, 15 to 30kW units	-	√
OAS-CD3	Diffuser cone, 40 to 60kW units	-	√
OAS-CV-277	Summer fan switch, with motor 240V and 277V	√	-
OAS-CV-600	Summer fan switch, with motor 480V and 600V	√	-
OAS-DIS40	Disconnect switch, 40A	√	-
OAS-DIS80	Disconnect switch, 80A	√	-
OAS-DIS100	Disconnect switch, 100A	√	-
OAS-ES ¹	Factory sealed element	√	-
OAS-FAN-AM	Fan blades with almond epoxy/polyester coating	√	-
OAS-MD ²	Mine duty	√	-
OAS-R	24V relay, without transformer	√	√
OAS-R/CV-240	Summer fan relay 240V, remote control (switch not included)	√	-
OAS-RT	24V relay, with transformer	√	√
OAS-T	Thermostat	√	√

¹ The option "sealed element" increases the reliability of these in humid environments. It does not completely eliminate the leakage currents of metal sheathed heating elements.

² See features at page 65.

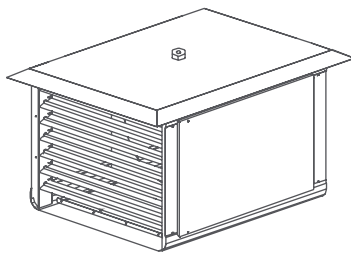


OAS-MD Mine Duty Option

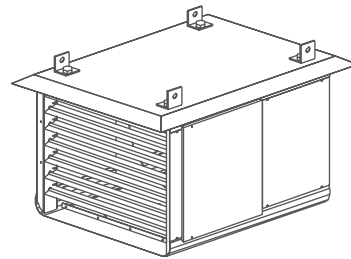


Features -MD Option

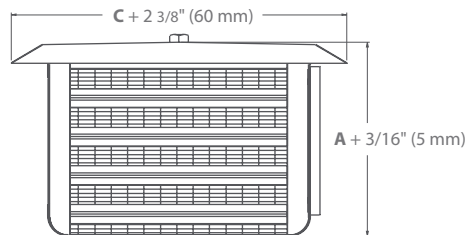
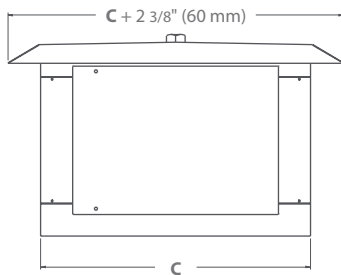
- Drip shield. **1**
- Sealed wiring compartment. **2**
- Hinged door with neoprene gasket. **3**
- Element delay on ON cycle (fan delay on OFF cycle).
- Heavy duty 18-gauge grille. **4**
- Double-pole contactor.
- Heating element can be factory sealed upon request to minimize moisture absorption (option -ES). **5**



2 to 30kW



40 to 60kW



	2 to 10kW		15 to 30kW		40 to 60kW	
	mm	in.	mm	in.	mm	in.
A	305	12	444	17 1/2	585	23
C	432	17	572	22 1/2	870	34 1/4

OWD Wash Down Unit Heater



Features

Voltage

- 208V, 240V, 480V, 600V, 1 or 3-phase.

Construction

- 16-gauge, stainless steel, moisture and corrosion resistant housing.
- Adjustable, stainless steel outlet louvers. **1**
- Stainless steel rear grille to protect against accidental contact with the fan blade. **2**
- High-limit temperature control with automatic reset (manual reset available upon request).
- NEMA 4X non-metallic electrical enclosure. **3**
- Pilot light (power-on indicator) available.
- Disconnect switch (40A max.) available.

Fan

- Anodized aluminum, delayed-action fan.
- Enclosed motor with permanently lubricated ball bearing for longer life. **4**
- Epoxy-painted fan.

Heating element

- Sealed tubular heating element with stainless steel fins. **5**

Control

- 24V control circuit with transformer and contactor.
- Built-in capillary thermostat available.
- Fan switch control available.

Installation

- Electrical enclosure located at bottom of unit for ease of installation and servicing.
- Stainless steel swivel mounting bracket included, for wall or ceiling mounting.

Warranty

- 1-year warranty against defects.

Application

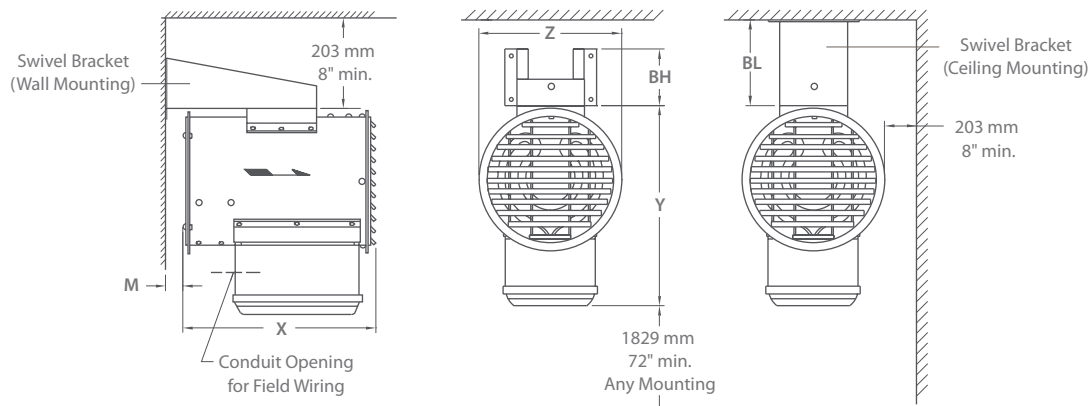
- Food industry, water treatment plant, marine and offshore, car wash, dairy.

OWD Models

kW	BTU/Hr	Product #					cfm	Temperature Rise		Air Throw	
		208V (1 ph)	208V (3 ph)	240V (1 ph)	240V (3 ph)	480V (3 ph)		°C	°F	ft.	m
3.0	10236	OWD03008	OWD03038	OWD03000	OWD03030	OWD03034	700	8	14	26	8
5.0	17060	OWD05008	OWD05038	OWD05000	OWD05030	OWD05034	700	13	24	26	8
7.5	25590	OWD07508	OWD07538	OWD07500	OWD07530	OWD07534	700	19	35	26	8
9.0	30708	OWD09008	OWD09038	OWD09000	OWD09030	OWD09034	1450	11	20	43	13
10.0	34120	-	OWD10038	OWD10000	OWD10030	OWD10034	1450	12	22	43	13
12.0	40944	-	OWD12038	-	OWD12030	OWD12034	1450	14	26	43	13
12.5	42650	-	OWD12538	-	OWD12530	OWD12534	2400	9	17	50	15
15.0	51180	-	OWD15038	-	OWD15030	OWD15034	2400	12	21	50	15
20.0	68240	-	-	-	-	OWD20034	2400	16	28	50	15
25.0	85300	-	-	-	-	OWD25034	2400	19	35	50	15
30.0	102360	-	-	-	-	OWD30034	2400	23	42	50	15
35.0	119420	-	-	-	-	OWD35034	2400	27	48	50	15
38.4	131020	-	-	-	-	OWD38434	2400	30	54	50	15

Options

Product #	Description	Factory Installed	Kit
OWD-120	120V control circuit	✓	-
OWD-I	Disconnect switch, 40A max.	✓	-
OWD-L	Pilot light "power-on indicator"	✓	-
OWD-PTM	High-limit temperature control with manual reset	✓	-
OWD-S	Summer fan switch	✓	-
OWD-T	Thermostat	✓	-
OWD-T2S	2-stage thermostat	✓	-
OWD-TM	NEMA 4X thermostat, range 4 °C to 43 °C (40 °F to 110 °F): 25A at 120V, 208V, 240V - 22A at 277V	-	✓



Models	X		Y		Z		BH		BL		M		Weight ¹	
	mm	in.	mm	in.	mm	in.	mm	in.	mm	in.	mm	in.	lb	kg
3 to 7.5kW	390	15 1/2	550	21 1/2	330	13	110	4 1/4	490	19 1/8	220	8 1/2	70	32
7.6 to 12kW	390	15 1/2	550	21 1/2	330	13	110	4 1/4	490	19 1/8	220	8 1/2	70	32
12.1 to 47kW	660	26	710	28	510	20	180	7 1/8	570	22 1/4	80	3 1/4	130	60

¹ Shipping weight.

OHX Explosion-Proof Unit Heater

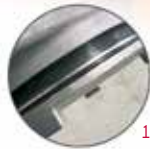
New 35kW



Front view with built-in thermostat



Rear view with built-in thermostat and disconnect switch



1



2



3



4



5

Features

Color

- Standard: red.

Finish

- Standard: epoxy/polyester powder paint.

Voltage

- 208V, 240V, 480V, 600V, 1 or 3-phase.

Construction

- 14-gauge steel cabinet.
- Adjustable anodized aluminum louvers.
- Cast aluminum control and element enclosure lids NEMA Type 7 and 9 with O-ring. **1**
- Fan Guard: multiple horizontal stiffening wires. **2**

Protection

- High temperature pressure relief device. **3**
- Two high-limit temperature controls: one with automatic reset and one with manual reset.

Fan

- Explosion-proof, thermally protected, permanently lubricated ball bearing motor. **4**
- 5 to 20kW: 1/4 HP, 1725 rpm.
- 25 to 35kW: 1/2 HP, 1725 rpm.

Heat exchanger

- High grade metal-sheathed elements fins with ethylene glycol/water solution.
- Long-life, low watt density.
- Evacuated and sealed, carbon steel tube core with 10 aluminum fins per inch.
- Division System: 5 to 30kW = T3B 165 °C (329 °F), 35kW = T3A 180 °C (356 °F).
- Zone System T3 200 °C (392 °F).

Temperature code

- 5 to 30kW: T3B 165 °C (329 °F) Class I and II.
- 35kW: T3A 180 °C (356 °F) Class I and II.

Control

- 120V control (standard). **5**
- Optional 24V control.
- Optional built-in or wall thermostat.
- Optional thermostat guard.
- Optional disconnect switch.

Installation

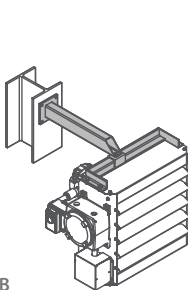
- Accessories available.

Warranty

- 3-year warranty against defects.

Application

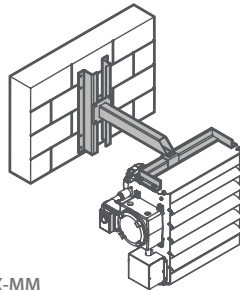
- Paint room, petrochemical plant, refinery, chemical plant, mining industry, sawmill.



OHX-MB

Basic Mounting Bracket

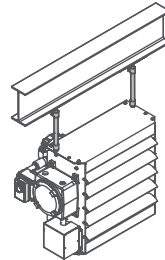
The OHX-MB is suitable for applications where the support arm can be bolted or welded directly to structural steel or concrete.



OHX-MM

Wall Mounting Bracket

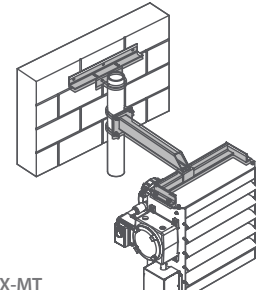
For use in buildings that have substantial walls. The Z sections provide additional support where necessary.



OHX-MS

Hanging Mounting Bracket

Ideal and economical if adequate overhead structure exists. Requires 1/2 in. pipe, cut and threaded (min. Sch. 40, not supplied).



OHX-MT

Pipe Mounting Bracket

For buildings with insufficient strength to use other types of mounting brackets. Requires 3 in. pipe (3 1/2 in. O.D., min. Sch. 40, not supplied).

kW	BTU/Hr	Product #						cfm	T° Rise		T° Code ¹	Weight ²	
		208V (1 ph)	208V (3 ph)	240V (1 ph)	240V (3 ph)	480V (3 ph)	°C		°F	lb		kg	
5.0	17060	OHX05008	OHX05038	OHXD05000	OHX05030	OHX05034	400	21.2	38.1	T3B	188	85.3	
7.5	25590	OHX07508	OHX07538	OHX07500	OHX07530	OHX07534	600	22.4	40.4	T3B	188	85.3	
10.0	34120	-	OHX10038	OHX10000	OHX10030	OHX10034	800	21.6	38.8	T3B	192	87.1	
15.0	51180	-	OHX15038	-	OHX15030	OHX15034	1200	21.7	39.1	T3B	224	101.6	
20.0	68240	-	-	-	-	OHX20034	1700	20.7	37.3	T3B	224	101.6	
25.0	85300	-	-	-	-	OHX25034	2100	20.8	37.5	T3B	261	118.4	
30.0	102360	-	-	-	-	OHX30034	3000	17.5	31.5	T3B	261	118.4	
35.0	119420	-	-	-	-	OHX35034	3000	20.4	36.7	T3A	261	118.4	

Options

Product #	Description	Factory Installed	Kit
OHX-24	Transformer and contactor for 24V (also compatible with OHX-TM)	✓	-
OHX-DIS	Disconnect switch	✓	-
OHX-MB1	Basic mounting bracket, 5 to 10kW units	-	✓
OHX-MB2	Basic mounting bracket, 15 to 20kW units	-	✓
OHX-MB3	Basic mounting bracket, 25 to 35kW units	-	✓
OHX-MM1	Wall mounting bracket, 5 to 10kW units	-	✓
OHX-MM2	Wall mounting bracket, 15 to 20kW units	-	✓
OHX-MM3	Wall mounting bracket, 25 to 35kW units	-	✓
OHX-MS	Hanging mounting bracket, all models	-	✓
OHX-MT1	Pipe mounting bracket, 5 to 10kW units	-	✓
OHX-MT2	Pipe mounting bracket, 15 to 20kW units	-	✓
OHX-MT3	Pipe mounting bracket, 25 to 35kW units	-	✓
OHX-T	Explosion-proof built-in thermostat, range 5 °C (40 °F) to 27 °C (80 °F), 22A at 277V	✓	-
OHX-TWG	Explosion-proof built-in thermostat, range 5 °C (40 °F) to 27 °C (80 °F), 22A at 277V with guard	✓	-
OHX-TM	Explosion-proof wall thermostat, range 5 °C (40 °F) to 27 °C (80 °F), 22A at 277V	-	✓
OHX-TMWG	Explosion-proof wall thermostat, range 5 °C (40 °F) to 27 °C (80 °F), 22A at 277V with guard	-	✓
OHX-TG	Thermostat guard for built-in or wall thermostat	-	✓
XDC-01	Explosion-proof wall mount disconnect switch	-	✓

¹ Temperature code: T3B = 165 °C (329 °F), T3A = 180 °C (356 °F).

² Shipping weight.

Standard color is red.

Approved locations

Class I, Divisions 1 and 2, Groups C and D.

Class II, Divisions 1 and 2, Groups F and G.

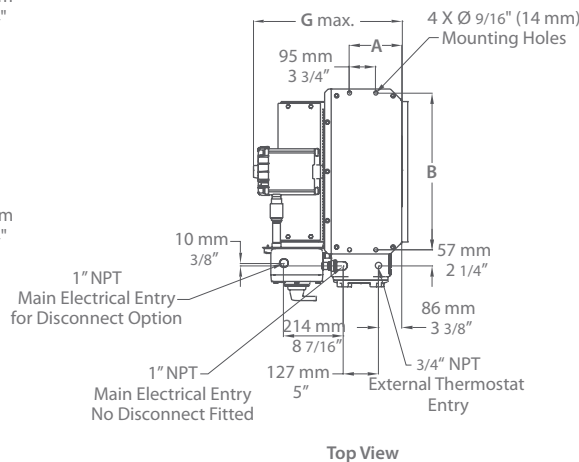
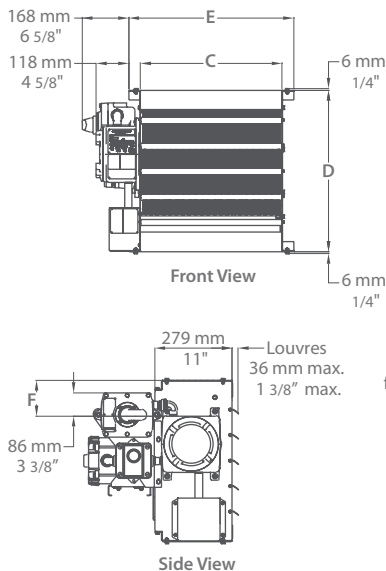
Temperature code: T3B (5 to 30kW), T3A (35kW).

Class I, Zones 1 & 2, Groups IIA & IIB, T3.

Temperature limitations

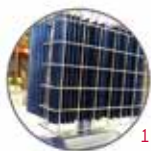
Ambient temperature: -45 °C to 40 °C (-49 °F to 104 °F).

Maximum altitude: 3048 m (10 000 ft.) above sea level.



Models	5 to 10kW	15 to 20kW	25 to 35kW
Fan	12" 305 mm	16" 406.4 mm	20" 508 mm
Dim.	in. (mm)	in. (mm)	in. (mm)
A	7.5 (190.5)	7.5 (190.5)	7.5 (190.5)
B	18.19 (462)	22.28 (566)	26.26 (667)
C	16.3 (414)	20.28 (515)	24.29 (617)
D	19 (483)	23 (584)	27 (686)
E	19.45 (494)	23.46 (596)	27.44 (697)
F	3.1 (79)	5.1 (130)	7.1 (180)
G	22.25 (565)	22.25 (565)	23.25 (591)

XB (OCX) Explosion-proof Heater



Features

Voltage

- 120V, 208V, 240V, 480V, 600V, 1-phase.

Construction

- Unique design.
- Efficient aluminum convector.
- Standard protective grille. **1**
- Low temperature convection.
- Sealed junction box. **2**

Heating element

- Tubular heating element inserted in an aluminum heat sink. **3**

Watt density

- Varies according to temperature code.

Control

- Built-in thermostat available.

Installation

- Built-in wall support. **4, 5**

Warranty

- 1-year warranty against defects.

Application

- Refinery, chemical storage, mining industry.

Maximum room temperature: 25 °C (77 °F).

Consult the Electrical Code in your area before installing this unit.

XB

Models

Watts	Volts	Product #	Temperature Code ²	Type	L		M		Weight	
					in.	mm	in.	mm	lb	kg
Class I, Division 1, Groups A, B, C and D										
475	120	XB1-1047T2D11	T2D	1	10	254	7 5/16	184	10.0	4.5
1000	120	XB1-4100T2D11	T2D	1	23 7/16	594	7 5/16	184	20.0	9.1
1500	120	XB2-3150T2D11	T2D	2	16 3/4	424	16 1/8	410	30.0	13.6
1000	208	XB1-4100T2D21	T2D	1	23 7/16	594	7 5/16	184	20.0	9.1
1500	208 ¹	XB2-3150T2D21	T2D	2	16 3/4	424	16 1/8	410	30.0	13.6
2000	208 ¹	XB2-4200T2D21	T2D	2	23 7/16	594	16 1/8	410	40.0	18.1
3000	208 ¹	XB3-4300T2D21	T2D	3	23 7/16	594	25	635	60.0	27.2
4500	208 ¹	XB4-6450T2D21	T2D	4	30 1/8	765	33 15/16	860	100.0	45.4
1000	240	XB1-4100T2D31	T2D	1	23 7/16	594	7 5/16	184	20.0	9.1
1500	240 ¹	XB2-3150T2D31	T2D	2	16 3/4	424	16 1/8	410	30.0	13.6
2000	240 ¹	XB2-4200T2D31	T2D	2	23 7/16	594	16 1/8	410	40.0	18.1
3000	240 ¹	XB3-4300T2D31	T2D	3	23 7/16	594	25	635	60.0	27.2
4500	240 ¹	XB4-6450T2D31	T2D	4	30 1/8	765	33 15/16	860	100.0	45.4
1000	480	XB1-4100T2D71	T2D	1	17 3/4	451	7 5/16	184	20.0	9.1
2000	480 ¹	XB2-4200T2D71	T2D	2	17 3/4	451	16 1/8	410	40.0	18.1
3000	480 ¹	XB3-4300T2D71	T2D	3	17 3/4	451	25	635	60.0	27.2
4500	480 ¹	XB4-6450T2D71	T2D	4	30 1/8	765	33 15/16	860	100.0	45.4
Class I, Divisions 1 and 2, Groups A, B, C and D										
Class II, Divisions 1 and 2, Groups E, F and G - Class III, Division 1										
2250	120	XB3-6625T3B11	T3B	3	30 1/8	765	25	635	75.0	34.0
2250	208 ¹	XB3-6625T3B21	T3B	3	30 1/8	765	25	635	75.0	34.0
2250	240 ¹	XB3-6625T3B31	T3B	3	30 1/8	765	25	635	75.0	34.0
2250	480 ¹	XB3-6625T3B71	T3B	3	30 1/8	765	25	635	75.0	34.0

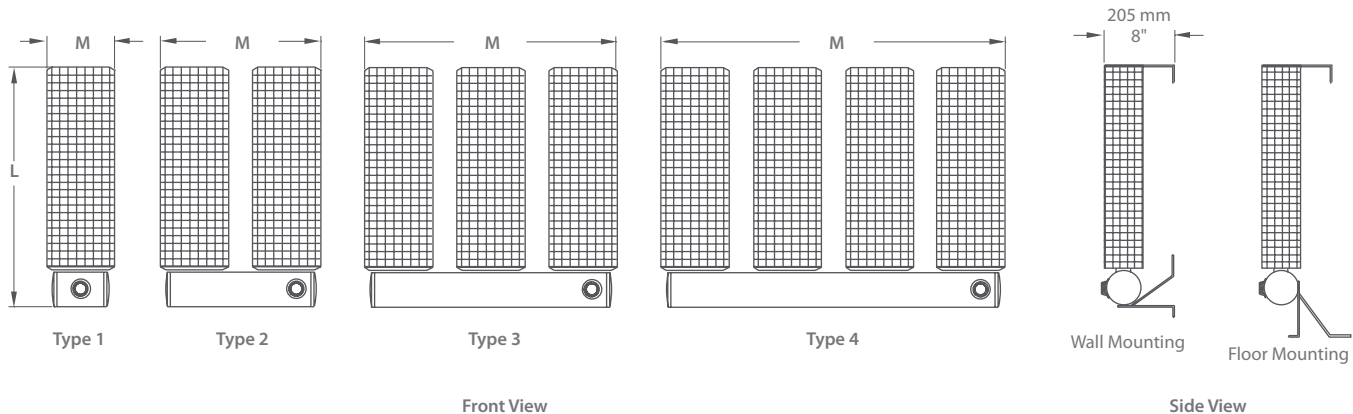
Options

Product #	Description	Factory Installed	Kit
XB-T	Single-pole thermostat	✓	-
XB-T2	Double-pole thermostat	✓	-
XB-TM	Explosion-proof wall thermostat, range -18 °C to 40 °C (0 °F to 100 °F); 15A at 600V, 25A at 277V	-	✓

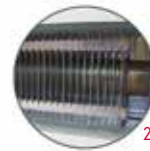
¹ 3-phase model available upon request.

² Temperature code: T2D = 215 °C (419 °F), T3B = 165 °C (329 °F).

For any other ratings and risk areas, contact our customer service.



OPX Explosion-Proof Sloped Top Convactor Heater



Features

Color

- Standard: beige.

Voltage

- 120V, 208V, 240V, 347V, 480V, 600V, 1 or 3-phase.

Construction

- Sloped top, 18-gauge steel cabinet.
- Low temperature convection.
- Linear high-limit temperature control with automatic reset.
- Sealed junction box. **1**

Heating element

- Cooper tubular heating element with aluminum fins. **2**

Watt density

- Varies according to temperature code.

Control

- Built-in or wall thermostat available.

Installation

- Built-in wall brackets. **3**
- Minimum mounting height of 6 in. (152 mm) above the floor.

Warranty

- 1-year warranty against defects.

Application

- Paint room, chemical storage, petrochemical plant, oil refinery, dry cleaning plant, coal handling facility.

Maximum room temperature: 40 °C (104 °F).

Consult the Electrical Code in your area before installing this unit.

OPX Models

Watts	Product #					T° Code ³	Unit Size	Weight	
	120V (1 ph)	208V (1 ph)	208V (3 ph)	240V (1 ph)	480V (3 ph)			lb	kg
Class I, Groups B, C and D, Divisions 1 and 2									
500	OPX2A0502	OPX2A0508	-	OPX2A0500	-	T2A	1 ²	13.0	6.0
1000	OPX2A1002	OPX2A1008	-	OPX2A1000	-	T2A	1 ²	13.0	6.0
1800	OPX2A1802	OPX2A1808	-	OPX2A1800	OPX2A1834 ¹	T2A	2	27.0	12.0
2500	-	OPX2A2508	OPX2A2538 ¹	OPX2A2500	OPX2A2534 ¹	T2A	2	27.0	12.0
3600	-	OPX2A3608	OPX2A3638 ¹	OPX2A3600	OPX2A3634 ¹	T2A	3	36.0	16.0
4400	-	-	OPX2A4438 ¹	OPX2A4400	OPX2A4434 ¹	T2A	3	36.0	16.0
6500	-	-	OPX2A6538 ¹	OPX2A6500 ¹	OPX2A6534 ¹	T2A	4	60.0	27.0
7500	-	-	OPX2A7538 ¹	OPX2A7500 ¹	OPX2A7534 ¹	T2A	4	60.0	27.0
9500	-	-	OPX2A9538 ¹	OPX2A9500 ¹	OPX2A9534 ¹	T2A	4	60.0	27.0
Class I, Groups B, C and D, Divisions 1 and 2									
500	OPX3A0502	OPX3A0508	-	OPX3A0500	-	T3A	1 ²	13.0	6.0
1400	OPX3A1402	OPX3A1408	-	OPX3A1400	-	T3A	2	27.0	12.0
2300	OPX3A2302	OPX3A2308	OPX3A2338 ¹	OPX3A2300	OPX3A2334 ¹	T3A	3	36.0	16.0
3200	-	OPX3A3208	OPX3A3238 ¹	OPX3A3200	OPX3A3234 ¹	T3A	4	60.0	27.0
5000	-	-	OPX3A5038 ¹	OPX3A5000	OPX3A5034 ¹	T3A	4	60.0	27.0
Class II, Groups E, F and G, Divisions 1 and 2									
500	OPX3C0502	OPX3C0508	-	OPX3C0500	-	T3C	1 ²	13.0	6.0
1000	OPX3C1002	OPX3C1008	-	OPX3C1000	-	T3C	2	27.0	12.0
1700	OPX3C1702	OPX3C1708	-	OPX3C1700	OPX3C1734 ¹	T3C	3	36.0	16.0
3200	-	OPX3C3208	OPX3C3238 ¹	OPX3C3200	OPX3C3234 ¹	T3C	4	60.0	27.0

Options

Product #	Description	Factory Installed	Kit
OPX-CTT	24V contactor and controller transformer	✓	-
OPX-T	Single-pole thermostat	✓	-
OCX-TM	Explosion-proof wall thermostat, range -18 °C to 40 °C (0 °F to 100 °F): 15A at 600V, 25A at 277V	-	✓

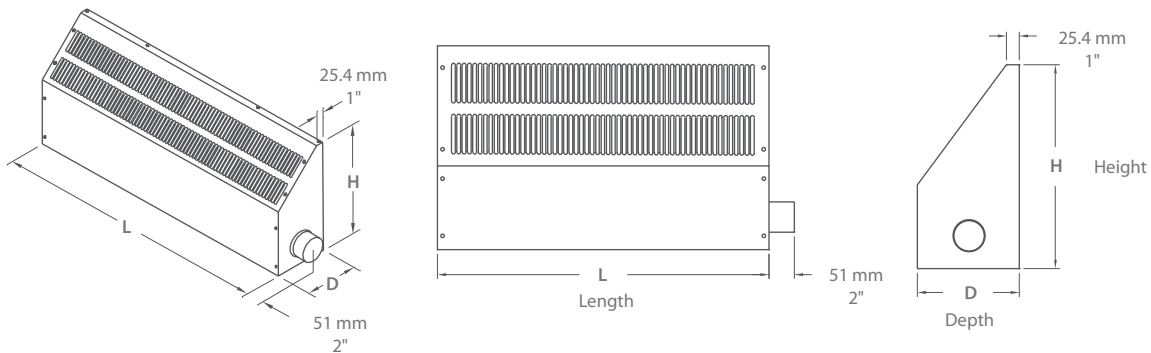
¹ Includes contactor and control transformer.

² No factory installed option available for size 1 units.

³ Temperature code: T2A = 280 °C (536 °F), T3A = 180 °C (356 °F), T3C = 160 °C (320 °F).

For any other ratings and risk areas, contact our customer service.

Standard color is beige.



Unit Sizes	L		H		D		Weight	
	mm	in.	m	in.	m	in.	kg	lb
1	660	26	150	6	110	4 1/2	6	13
2	660	26	410	16	200	8	12	27
3	990	39	410	16	200	8	16	36
4	1710	67 1/2	410	16	200	8	27	60

OIP

Industrial Sloped Top Cabinet Convector



14-gauge steel front enclosure



1



2



3



4



5

Features

Color

- Standard: white, almond.
- Optional: metallic silver, bronze, metallic charcoal, textured black, beige-grey, aluminum, semi-gloss black.
- Custom colors available upon request.

Finish

- Standard: epoxy/polyester powder paint.

Voltage

- 208V, 240/208V, 277V, 347V, 600V, 50/60 Hz, 1-phase.

Construction

- 20-gauge steel cabinet.
- 14-gauge steel front cover. **1**
- Extruded aluminum bar grilles prevent insertion of foreign objects. **2**
- Front fresh air inlet; top warm air outlet.
- Linear high-limit temperature control with automatic reset.

Heating element

- Two stainless steel tubular heating elements with aluminum fins. **3**
- Floating elements on high-temperature nylon bushings eliminating expansion noises. **4**

Watt density

- Standard watt density.
- Low watt density.

Control

- Built-in tamperproof thermostat available.
- 24V relay available.

Ouellet highly recommends to use an electronic wall thermostat for greater comfort.

Installation

- Not for residential use in the United States.
- Wall or floor mounted installation.
- Mounting holes spaced on 2 in. (51 mm) intervals for ease of installation.
- Variety of accessories available for wall-to-wall installation.
- Pedestal kit available. **5**

Warranty

- 1-year warranty against defects.

Application

- Commercial building, office building, hospital, daycare center.

Standard Watt Density Models

Watts	Watts		Product #			Length		Weight	
	240/208V	208V	240/208V	277V	in.	mm	lb	kg	
1000	1000/750	OIP1008	OIP1000	OIP1077	27 3/16	690	32.0	14.5	
1500	1500/1125	OIP1508	OIP1500	OIP1577	37 3/16	944	46.0	20.9	
2000	2000/1500	OIP2008	OIP2000	OIP2077	47 3/16	1198	57.0	25.9	
2500	2500/1875	OIP2508	OIP2500	OIP2577	57 3/16	1452	66.0	30.0	
3000	3000/2250	OIP3008	OIP3000	OIP3077	65 3/16	1655	75.0	34.1	
3500	3500/2625	OIP3508	OIP3500	OIP3577	75 3/16	1909	80.0	36.3	
4000	4000/3000	OIP4008	OIP4000	OIP4077	83 1/8	2112	89.0	40.5	

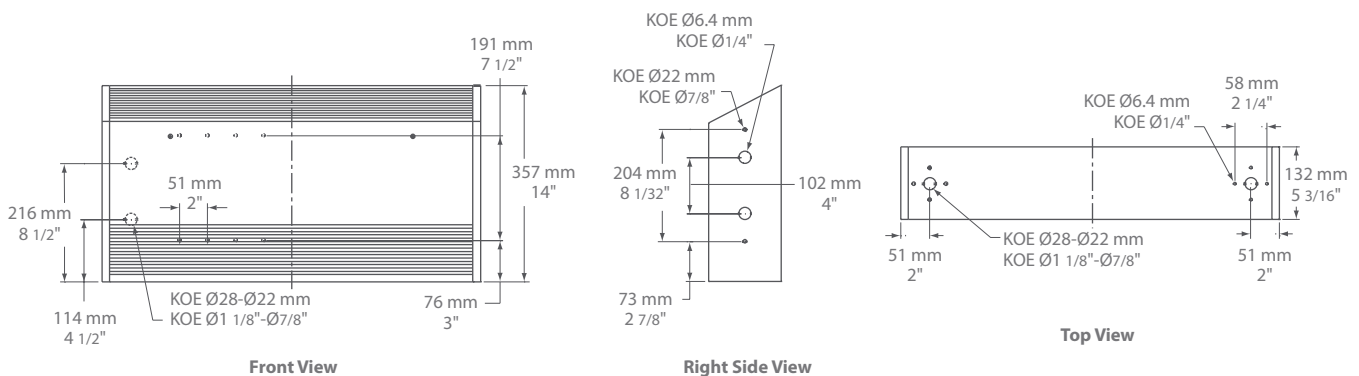
Low Watt Density Models

Watts	Product #			Length		Weight	
	208V	240/208V	277V	in.	mm	lb	kg
800	OIP0808-690	OIP0800-690	OIP0877-690	27 3/16	690	32.0	14.5
1000	OIP1008-944	OIP1000-944	OIP1077-944	37 3/16	944	46.0	20.9
1500	OIP1508-1198	OIP1500-1198	OIP1577-1198	47 3/16	1198	57.0	25.9
1750	OIP1758-1452	OIP1750-1452	OIP1777-1452	57 3/16	1452	66.0	30.0
2000	OIP2008-1655	OIP2000-1655	OIP2077-1655	65 3/16	1655	75.0	34.1
2500	OIP2508-2112	OIP2500-2112	OIP2577-2112	83 1/8	2112	89.0	40.5
2750	OIP2758-2112	OIP2750-2112	OIP2777-2112	83 1/8	2112	89.0	40.5

Options

Product #	Description	Factory Installed	Kit
OPI-CE	Outside corner, 4 in. (102 mm)	-	✓
OPI-CI	Inside corner, 4 in. (102 mm)	-	✓
OPI-CTT	Single-pole relay, coil 240V: 25A at 240V, 12.5A at 600V	✓	-
OPI-CTT2	Double-pole relay, coil 24V: 25A at 240V, 12.5A at 600V	✓	-
OPI-PE	Pedestal kit (2), 3 in. (76 mm)	-	✓
OPI-T-AV	Single-pole thermostat, tamperproof: 30A at 250V max. - 15A at 600V max.	✓	✓
OPI-T2-AV	Double-pole thermostat, tamperproof: 30A at 250V max. - 15A at 600V max.	✓	✓

Add "BL" for white, "AM" for almond.



OMB Mini Aluminum Draft Barrier



With pedestals



Features

Color

- Standard: white, almond.
- Optional: metallic silver, bronze, metallic charcoal, textured black, beige-grey, aluminum, semi-gloss black.
- Custom colors available upon request.

Finish

- Standard: epoxy/polyester powder paint.
- Optional: anodized aluminum.

Voltage

- 208V, 240/208V, 277V, 347V, 600V, 50/60 Hz, 1-phase.

Construction

- 14-gauge (0.0787 in. [2 mm]) aluminum front cover. **1**
- 18-gauge satin coat steel cabinet.
- Screw assembly for added strength.
- Full length built-in wireway.
- Separate low voltage wireway (-WW) available.
- Pencil-proof openings less than 1/4 in. (6.4 mm).
- Bottom fresh air inlet; top warm air outlet.
- Clean back available (-BD).
- Linear high-limit temperature control with automatic reset. **2**
- High altitude version available (-HA).
- End caps included. **3**

Heating element

- Stainless steel tubular heating element with aluminum fins. **4**
- Floating heating element on high-temperature nylon bushings eliminating expansion noises.

Watt density

- Standard watt density.
- Low watt density.

Control

- Built-in thermostat available with a control knob or tamperproof.
- Mechanical, electronic or pneumatic relays available (installed on the right end only).

Ouellet highly recommends to use an electronic wall thermostat for greater comfort.

Installation

- Not for residential use in the United States.
- Heater must be installed at least 2 in. (51 mm) from finished floor.
- Mounting holes spaced on 4 in. (102 mm) intervals for ease of installation.
- Installation on wall or floor mounted with pedestals. **5**
- Variety of accessories available for wall-to-wall installation.
- Pedestal kit available.

Warranty

- 1-year warranty against defects.

Application

- Commercial building, office building, hospital, daycare center, private residence.

Standard Watt Density Models

Watts	Watts		Product #		Length		Weight	
	240/208V	208V	240/208V	277V	in.	mm	lb	kg
350	350/263	OMB0358	OMB0350	-	27 9/16	700	7.0	3.2
525	525/394	OMB0508	OMB0500	OMB0577	35 7/16	900	8.3	3.8
700	700/526	OMB0708	OMB0700	OMB0777	47 1/4	1200	10.2	4.6
875	875/657	OMB0808	OMB0800	OMB0877	59 1/16	1500	12.0	5.5
1050	1050/789	OMB1058	OMB1050	OMB1077	70 7/8	1800	13.9	6.3
1225	1225/920	OMB1208	OMB1200	OMB1277	82 11/16	2100	15.8	7.2
1400	1400/1052	OMB1408	OMB1400	OMB1477	94 1/2	2400	17.6	8.0

Low Watt Density Models

Product # ¹	Length	Weight	Average Density W/ft.	Watts	Watts 240/208V	208V	240/208V	277V
OMB030X-700	27 9/16" (700 mm)	7.0 lb (3.2 kg)	150	300	300/225	✓	✓	-
OMB030X-900	35 7/16" (900 mm)	8.3 lb (3.8 kg)	100	300	300/225	✓	✓	-
OMB045X-900			150	450	450/338	✓	✓	✓
OMB040X-1200	47 1/4" (1200 mm)	10.2 lb (4.6 kg)	100	400	400/300	✓	✓	✓
OMB060X-1200			150	600	600/450	✓	✓	✓
OMB050X-1500	59 1/16" (1500 mm)	12.0 lb (5.5 kg)	100	500	500/375	✓	✓	✓
OMB075X-1500			150	750	750/563	✓	✓	✓
OMB060X-1800	70 7/8" (1800 mm)	13.9 lb (6.3 kg)	100	600	600/450	✓	✓	✓
OMB090X-1800			150	900	900/675	✓	✓	✓
OMB070X-2100	82 11/16" (2100 mm)	15.8 lb (7.2 kg)	100	700	700/525	✓	✓	✓
OMB105X-2100			150	1050	1050/788	✓	✓	✓
OMB080X-2400	94 1/2" (2400 mm)	17.6 lb (8.0 kg)	100	800	800/600	✓	✓	✓
OMB120X-2400			150	1200	1200/900	✓	✓	✓

¹ X = 8 (208V), 0 (240/208V), 77 (277V).

✓ = Available.

Add "BL" for white, "AM" for almond. Optional colors shown in the color chart section are available upon request.

Other colors, accessories and finishes are available upon request. Please contact your customer service representative.

Other voltages available upon request.

OMB

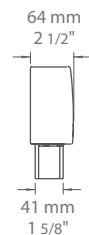
Options

Product #	Description	Factory Installed	Kit
OMB-BD ¹	Clean back	✓	-
OMB-CE	Outside corner, 4 in. (102 mm)	-	✓
OMB-CI	Inside corner, 4 in. (102 mm)	-	✓
OMB-DIS20	Disconnect switch, 20A at 277V max.	✓	✓
OMB-HA	Linear high-limit temperature control for high altitude (6000 ft. to 8200 ft.)	✓	-
OMB-JT	Splice plate, 2 in. (51 mm)	-	✓
OMB-JT-PE	Contour splice plate for BD option and/or heater with pedestals, 2 in. (51 mm)	-	✓
OMB-PE	Round pedestal kit (2), 3 in. (76 mm)	-	✓
OMB-PEC	Square-shaped pedestal kit (2), 2 in. (51 mm)	-	✓
OMB-PM	Pneumatic relay, 20A at 600V max.	✓	-
OMB-R-347	Single-pole relay, coil 24V, without transformer: 22A at 208V, 240V - 19A at 277V - 18A at 347V	✓	✓
OMB-R-600	Single-pole relay, coil 24V, without transformer: 10A at 600V	✓	✓
OMB-RT-208	Single-pole relay, coil 24V, with transformer 208V/24V, 22A at 208V	✓	✓
OMB-RT-240	Single-pole relay, coil 24V, with transformer 240V/24V, 22A at 240V	✓	✓
OMB-RT-277	Single-pole relay, coil 24V, with transformer 277V/24V, 19A at 277V	✓	✓
OMB-RT-347	Single-pole relay, coil 24V, with transformer 347V/24V, 18A at 347V	✓	✓
OMB-RT-600 ²	Single-pole relay, coil 24V, with transformer 600V/24V, 10A at 600V (2-wire only)	✓	✓
OMB-SV-XX	Empty cabinet with length of XX mm (minimum: 154 mm, maximum: 2400 mm)	-	✓
OMB-TB6	Single-pole bi-metal thermostat: 25A at 120V, 208V, 240V, 277V - 10A at 347V, 480V, 600V	✓	✓
OMB-TB26 ³	Double-pole bi-metal thermostat: 25A at 120V, 208V, 240V, 277V - 10A at 347V, 480V, 600V	✓	✓
OMB-TB6-AV	Single-pole bi-metal tamperproof thermostat: 25A at 120V, 208V, 240V, 277V - 10A at 347V, 480V, 600V	✓	✓
OMB-TB26-AV ³	Double-pole bi-metal tamperproof thermostat: 25A at 120V, 208V, 240V, 277V - 10A at 347V, 480V, 600V	✓	✓
OMB-TRIAC-347	Single-pole electronic relay, coil 24V, without transformer, 10A max. at 347V max.	✓	✓
OMB-TRIAC-347T	Single-pole electronic relay, coil 24V, with transformer, 10A max. at 208V, 240V, 347V	✓	✓
OMB-TRIAC-600	Single-pole electronic relay, coil 24V, without transformer, 6A at 600V max.	✓	✓
OMB-WW	24V wireway	✓	-

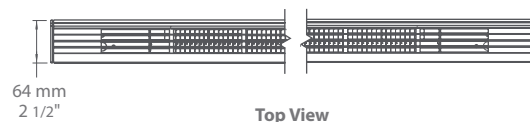
¹ For anodized aluminum heaters, the clean back option will be fixed with visible rivets.

² These 2-wire relays with transformer can't supply of 3-wire low voltage thermostats.

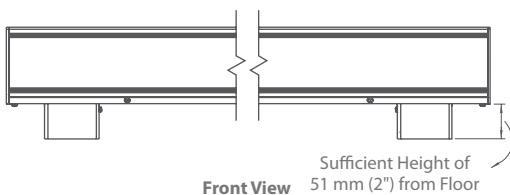
³ "Off" position.



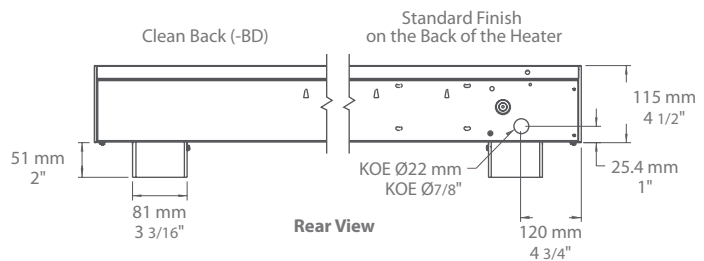
Side View



Top View



Front View



Rear View

ODB Aluminum Draft Barrier



With bottom fresh air inlet and pedestals



1



2



3



4



5

Features

Color

- Standard: white, almond.
- Optional: metallic silver, bronze, metallic charcoal, textured black, beige-grey, aluminum, semi-gloss black.
- Custom colors available upon request.

Finish

- Standard: epoxy/polyester powder paint.
- Optional: anodized aluminum.

Voltage

- 120V, 208V, 240/208V, 277V, 347V, 600V, 50/60 Hz, 1-phase.

Construction

- 14-gauge (0.0787 in. [2 mm]) aluminum front cover. **1**
- 18-gauge satin coat steel cabinet.
- Screw assembly for added strength.
- Full length built-in wireway.
- Pencil-proof openings less than 1/4 in. (6.4 mm). **2**
- Front fresh air inlet or bottom (-BAI); top warm air outlet.
- Clean back available (-BD).
- Linear high-limit temperature control with automatic reset. High altitude version available (-HA).
- End caps included. **3**

Heating element

- Stainless steel tubular heating element with aluminum fins. **4**
- Floating heating element on high-temperature nylon bushings eliminating expansion noises.

Watt density

- Standard watt density.
- Low watt density.

Control

- Built-in thermostat available with a control knob or tamperproof. **5**
- Mechanical, electronic or pneumatic relays available (installed on the right end only).

Ouellet highly recommends to use an electronic wall thermostat for greater comfort.

Installation

- Heater must be installed at least 2 in. (51 mm) from finished floor (for -BAI option).
- Mounting holes spaced on 4 in. (102 mm) intervals for ease of installation.
- Wall or floor mounted installation.
- Variety of accessories available for wall-to-wall installation.
- Pedestal kit available.

Warranty

- 1-year warranty against defects.

Application

- Commercial building, office building, hospital, daycare center, private residence.

Standard Watt Density Models

Watts	Watts 240/208V	Product #				Length		Weight	
		120V	208V	240/208V	277V	in.	mm	lb	kg
500	500/375	ODB0502	ODB0508	ODB0500	ODB0577	29 1/16	738	8.0	3.6
750	750/563	ODB0752	ODB0758	ODB0750	ODB0777	39 1/16	992	10.4	4.7
1000	1000/750	ODB1002	ODB1008	ODB1000	ODB1077	49 5/16	1253	12.8	5.8
1250	1250/938	ODB1252	ODB1258	ODB1250	ODB1277	58 13/16	1494	15.1	6.8
1500	1500/1125	ODB1502	ODB1508	ODB1500	ODB1577	67 1/2	1715	17.2	7.8
1750	1750/1313	-	ODB1758	ODB1750	ODB1777	76 7/8	1952	19.4	8.8
2000	2000/1500	-	ODB2008	ODB2000	ODB2077	85 5/8	2175	21.5	9.7
2250	2250/1688	-	ODB2258	ODB2250	ODB2277	94 1/2	2400	23.6	10.7
2500	2500/1875	-	ODB2508	ODB2500	ODB2577	103 5/8	2632	25.8	11.7

Low Watt Density Models

Product # ¹	Length	Weight	Average Density W/ft.	Watts	Watts 240/208V	120V	208V	240/208V	277V
ODB020X-738	29 1/16" (738 mm)	8.0 lb (3.6 kg)	100	200	200/150	✓	✓	✓	-
ODB030X-738			150	300	300/225	✓	✓	✓	-
ODB040X-738			200	400	400/300	✓	✓	✓	✓
ODB030X-992	39 1/16" (992 mm)	10.4 lb (4.7 kg)	100	300	300/225	✓	✓	✓	✓
ODB045X-992			150	450	450/338	✓	✓	✓	✓
ODB060X-992			200	600	600/450	✓	✓	✓	✓
ODB040X-1253	49 5/16" (1253 mm)	12.8 lb (5.8 kg)	100	400	400/300	✓	✓	✓	✓
ODB060X-1253			150	600	600/450	✓	✓	✓	✓
ODB080X-1253			200	800	800/600	✓	✓	✓	✓
ODB050X-1494	58 13/16" (1494 mm)	15.1 lb (6.8 kg)	100	500	500/375	✓	✓	✓	✓
ODB075X-1494			150	750	750/563	✓	✓	✓	✓
ODB100X-1494			200	1000	1000/750	✓	✓	✓	✓
ODB060X-1715	67 1/2" (1715 mm)	17.2 lb (7.8 kg)	100	600	600/450	✓	✓	✓	✓
ODB090X-1715			150	900	900/675	✓	✓	✓	✓
ODB120X-1715			200	1200	1200/900	✓	✓	✓	✓
ODB070X-1952	76 7/8" (1952 mm)	19.4 lb (8.8 kg)	100	700	700/525	✓	✓	✓	✓
ODB105X-1952			150	1050	1050/788	✓	✓	✓	✓
ODB140X-1952			200	1400	1400/1050	✓	✓	✓	✓
ODB080X-2175	85 5/8" (2175 mm)	21.5 lb (9.7 kg)	100	800	800/600	✓	✓	✓	✓
ODB120X-2175			150	1200	1200/900	✓	✓	✓	✓
ODB160X-2175			200	1600	1600/1200	-	✓	✓	✓
ODB090X-2400	94 1/2" (2400 mm)	23.6 lb (10.7 kg)	100	900	900/675	✓	✓	✓	✓
ODB135X-2400			150	1350	1350/1013	-	✓	✓	✓
ODB180X-2400			200	1800	1800/1350	-	✓	✓	✓
ODB100X-2632	103 5/8" (2632 mm)	26.8 lb (11.7 kg)	100	1000	1000/750	✓	✓	✓	✓
ODB150X-2632			150	1500	1500/1125	-	✓	✓	✓
ODB200X-2632			200	2000	2000/1500	-	✓	✓	✓
ODB225X-2632			200	2250	2250/1688	-	✓	✓	✓

¹ X = 2 (120V), 8 (208V), 0 (240/208V), 77 (277V).

✓ = Available.

Add "BL" for white, "AM" for almond. Optional colors shown in the color chart section are available upon request.

Other colors, accessories and finishes are available upon request. Please contact your customer service representative.

Other voltages available upon request.

ODB

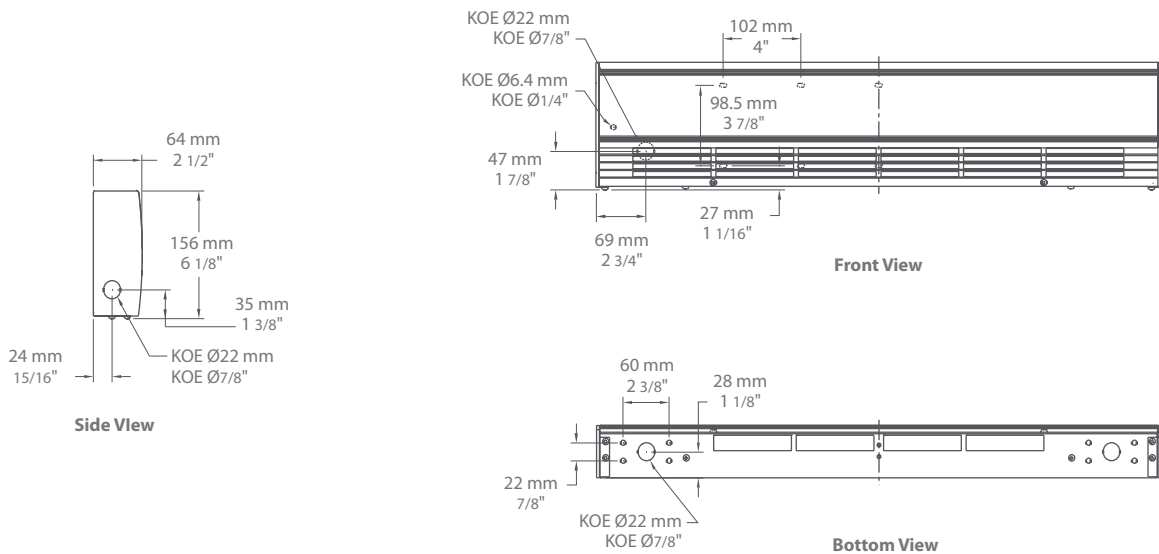
Options

Product #	Description	Factory Installed	Kit
ODB-BAI	Bottom fresh air inlet	✓	-
ODB-BD ¹	Clean back	✓	-
ODB-CE	Outside corner, 4 in. (102 mm)	-	✓
ODB-CI	Inside corner, 4 in. (102 mm)	-	✓
ODB/ODI-DIS20	Disconnect switch, 20A at 277V max.	✓	✓
ODB/ODI-DIS40	Disconnect switch, 40A at 600V max.	✓	✓
ODB-HA	Linear high-limit temperature control for high altitude (6000 ft. to 8200 ft.)	✓	-
ODB-JT	Splice plate, 2 in. (51 mm)	-	✓
ODB-JT-PE	Contour splice plate for BD option and/or heater with pedestals, 2 in. (51 mm)	-	✓
ODB/ODI-PE	Round pedestal kit (2), 3 in. (76 mm)	-	✓
ODB/ODI-PEC	Square-shaped pedestal kit (2), 2 in. (51 mm)	-	✓
ODB-PM	Pneumatic relay, 20A at 600V max.	✓	-
ODB-R-347	Single-pole relay, coil 24V, without transformer: 22A at 120V, 208V, 240V - 19A at 277V - 18A at 347V	✓	✓
ODB-R-600	Single-pole relay, coil 24V, without transformer: 10A at 600V	✓	✓
ODB-RT-120 ²	Single-pole relay, coil 24V, with transformer 120V/24V, 25A at 120V (2-wire only)	✓	✓
ODB-RT-208	Single-pole relay, coil 24V, with transformer 208V/24V, 22A at 208V	✓	✓
ODB-RT-240	Single-pole relay, coil 24V, with transformer 240V/24V, 22A at 240V	✓	✓
ODB-RT-277	Single-pole relay, coil 24V, with transformer 277V/24V, 19A at 277V	✓	✓
ODB-RT-347	Single-pole relay, coil 24V, with transformer 347V/24V, 18A at 347V	✓	✓
ODB-RT-600 ²	Single-pole relay, coil 24V, with transformer 600V/24V, 10A at 600V (2-wire only)	✓	✓
ODB-SV-XX	Empty cabinet with length of XX mm (minimum: 154 mm, maximum: 2632 mm)	-	✓
ODB-TB6	Single-pole bi-metal thermostat: 25A at 120V, 208V, 240V, 277V - 10A at 347V, 480V, 600V	✓	✓
ODB-TB6 ³	Double-pole bi-metal thermostat: 25A at 120V, 208V, 240V, 277V - 10A at 347V, 480V, 600V	✓	✓
ODB-TB6-AV	Single-pole bi-metal tamperproof thermostat: 25A at 120V, 208V, 240V, 277V - 10A at 347V, 480V, 600V	✓	✓
ODB-TB6-AV ³	Double-pole bi-metal tamperproof thermostat: 25A at 120V, 208V, 240V, 277V - 10A at 347V, 480V, 600V	✓	✓
ODB-TRIAC-347	Single-pole electronic relay, coil 24V, without transformer, 15A max. at 347V max.	✓	✓
ODB-TRIAC-347T	Single-pole electronic relay, coil 24V, with transformer, 15A at 208V, 240V, 347V	✓	✓
ODB-TRIAC-600	Single-pole electronic relay, coil 24V, without transformer, 6A at 600V max.	✓	✓

¹ For anodized aluminum heaters, the clean back option will be fixed with visible rivets.

² These 2-wire relays with transformer can't supply of 3-wire low voltage thermostats.

³ "Off" position.



ODBA Heavy-Duty Steel Draft Barrier



With bottom fresh air inlet and pedestals



1



2



3



4



5

Features

Color

- Standard: white, almond.
- Optional: metallic silver, bronze, metallic charcoal, textured black, beige-grey, aluminum, semi-gloss black.
- Custom colors available upon request.

Finish

- Standard: epoxy/polyester powder paint.
- Optional: steel plated.

Voltage

- 120V, 208V, 240V/208V, 277V, 347V, 600V, 50/60 Hz, 1-phase.

Construction

- 16-gauge steel front cover. **1**
- 18-gauge satin coat steel cabinet.
- Screw assembly for added strength.
- Full length built-in wireway.
- Front fresh air inlet or bottom (-BAI); top warm air outlet. **2**
- Clean back available (-BD).
- Linear high-limit temperature control with automatic reset. High altitude version available (-HA).
- End caps included. **3**

Heating element

- Stainless steel tubular heating element with aluminum fins.
- Floating heating element on high-temperature nylon bushings eliminating expansion noises. **4**

Watt density

- Standard watt density.
- Low watt density.

Control

- Built-in thermostat available with a control knob or tamperproof.
- Mechanical, electronic or pneumatic relays available (installed on the right end only).

Ouellet highly recommends to use an electronic wall thermostat for greater comfort.

Installation

- Heater must be installed at least 2 in. (51 mm) from finished floor (for -BAI option).
- Mounting holes spaced on 4 in. (102 mm) intervals for ease of installation.
- Wall or floor mounted installation.
- Variety of accessories available for wall-to-wall installation.
- Pedestal kit available. **5**

Warranty

- 1-year warranty against defects.

Application

- Commercial building, office building, hospital, daycare center, private residence.

ODBA

Standard Density Models¹

Watts	Watts		Product #			Length		Weight	
	240/208V	120V	208V	240/208V	277V	in.	mm	lb	kg
500	500/375	ODBA0502	ODBA0508	ODBA0500	ODBA0577	28 7/8	733	10.5	4.8
750	750/563	ODBA0752	ODBA0758	ODBA0750	ODBA0777	38 7/8	987	12.7	5.8
1000	1000/750	ODBA1002	ODBA1008	ODBA1000	ODBA1077	49 1/8	1248	14.9	6.8
1250	1250/938	ODBA1252	ODBA1258	ODBA1250	ODBA1277	58 5/8	1489	17.0	7.7
1500	1500/1125	ODBA1502	ODBA1508	ODBA1500	ODBA1577	67 5/16	1710	18.8	8.5
1750	1750/1313	-	ODBA1758	ODBA1750	ODBA1777	76 5/8	1947	20.8	9.4
2000	2000/1500	-	ODBA2008	ODBA2000	ODBA2077	85 7/16	2170	22.7	10.3
2250	2250/1688	-	ODBA2258	ODBA2250	ODBA2277	94 5/16	2395	24.6	11.2
2500	2500/1875	-	ODBA2508	ODBA2500	ODBA2577	103 7/16	2627	26.6	12.1

Low Watt Density Models

Product # ²	Length	Weight	Average Density W/ft.	Watts	Watts 240/208V	120V	208V	240/208V	277V
ODBA020X-733	28 7/8" (733 mm)	10.5 lb (4.8 kg)	100	200	200/150	✓	✓	✓	-
ODBA030X-733			150	300	300/225	✓	✓	✓	-
ODBA040X-733 ¹			200	400	400/300	✓	✓	✓	✓
ODBA030X-987	38 7/8" (987 mm)	12.7 lb (5.8 kg)	100	300	300/225	✓	✓	✓	✓
ODBA045X-987			150	450	450/338	✓	✓	✓	✓
ODBA060X-987 ¹			200	600	600/450	✓	✓	✓	✓
ODBA040X-1248	49 1/8" (1248 mm)	14.9 lb (6.8 kg)	100	400	400/300	✓	✓	✓	✓
ODBA060X-1248			150	600	600/450	✓	✓	✓	✓
ODBA080X-1248 ¹			200	800	800/600	✓	✓	✓	✓
ODBA050X-1489	58 5/8" (1489 mm)	17.0 lb (7.7 kg)	100	500	500/375	✓	✓	✓	✓
ODBA075X-1489			150	750	750/563	✓	✓	✓	✓
ODBA100X-1489 ¹			200	1000	1000/750	✓	✓	✓	✓
ODBA060X-1710	67 5/16" (1710 mm)	18.8 lb (8.5 kg)	100	600	600/450	✓	✓	✓	✓
ODBA090X-1710			150	900	900/675	✓	✓	✓	✓
ODBA120X-1710 ¹			200	1200	1200/900	✓	✓	✓	✓
ODBA070X-1947	76 5/8" (1947 mm)	20.8 lb (9.4 kg)	100	700	700/525	✓	✓	✓	✓
ODBA105X-1947			150	1050	1050/788	✓	✓	✓	✓
ODBA140X-1947 ¹			200	1400	1400/1050	✓	✓	✓	✓
ODBA080X-2170	85 7/16" (2170 mm)	22.7 lb (10.3 kg)	100	800	800/600	✓	✓	✓	✓
ODBA120X-2170			150	1200	1200/900	✓	✓	✓	✓
ODBA160X-2170 ¹			200	1600	1600/1200	-	✓	✓	✓
ODBA090X-2395	94 5/16" (2395 mm)	24.6 lb (11.2 kg)	100	900	900/675	✓	✓	✓	✓
ODBA135X-2395			150	1350	1350/1013	-	✓	✓	✓
ODBA180X-2395 ¹			200	1800	1800/1350	-	✓	✓	✓
ODBA100X-2627	103 7/16" (2627 mm)	26.6 lb (12.1 kg)	100	1000	1000/750	✓	✓	✓	✓
ODBA150X-2627			150	1500	1500/1125	-	✓	✓	✓
ODBA200X-2627 ¹			200	2000	2000/1500	-	✓	✓	✓
ODBA225X-2627 ¹			200	2250	2250/1688	-	✓	✓	✓

¹ Not for residential use in the United States.

² X = 2 (120V), 8 (208V), 0 (240/208V), 77 (277V).

✓ = Available.

Add "BL" for white, "AM" for almond. Optional colors shown in the color chart section are available upon request.

Other colors, accessories and finishes are available upon request. Please contact your customer service representative.

Other voltages available upon request.

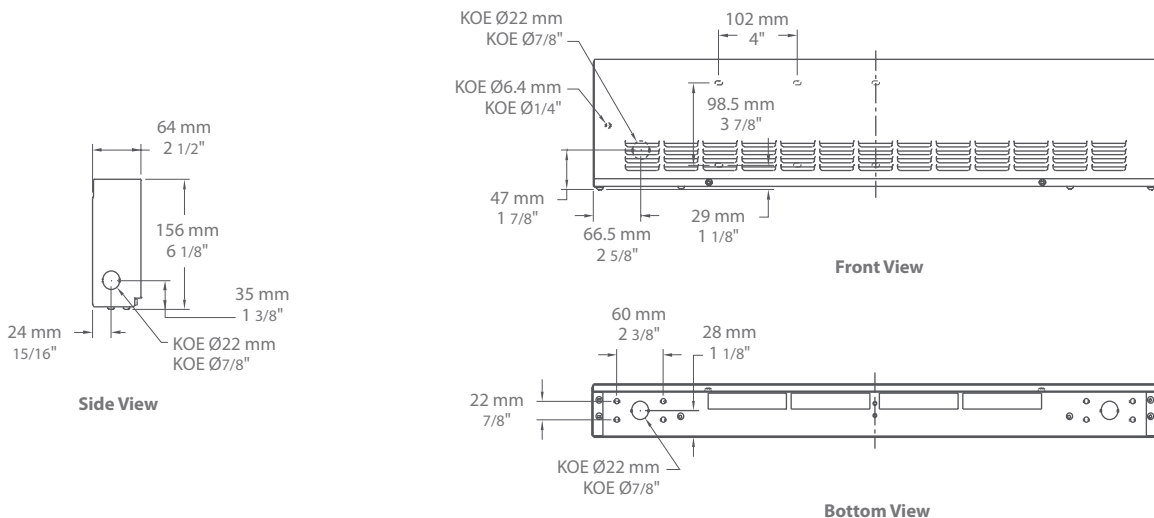
ODBA

Options

Product #	Description	Factory Installed	Kit
ODBA-BAI	Bottom fresh air inlet	✓	-
ODBA-BD	Clean back	✓	-
ODBA-CE	Outside corner, 4 in. (102 mm)	-	✓
ODBA-CI	Inside corner, 4 in. (102 mm)	-	✓
ODBA/ODIA-DIS20	Disconnect switch, 20A at 277V max.	✓	✓
ODBA/ODIA-DIS40	Disconnect switch, 40A at 600V max.	✓	✓
ODBA-HA	Linear high-limit temperature control for high altitude (6000 ft. to 8200 ft.)	✓	-
ODBA-JT	Splice plate, 2 in. (51 mm)	-	✓
ODBA-JT-PE	Contour splice plate for BD option and/or heater with pedestals, 2 in. (51 mm)	-	✓
ODBA/ODIA-PE	Round pedestal kit (2), 3 in. (76 mm)	-	✓
ODBA/ODIA-PEC	Square-shaped pedestal kit (2), 2 in. (51 mm)	-	✓
ODBA-PM	Pneumatic relay, 20A at 600V max.	✓	-
ODBA-R-347	Single-pole relay, coil 24V, without transformer: 22A at 120V, 208V, 240V - 19A at 277V - 18A at 347V	✓	✓
ODBA-R-600	Single-pole relay, coil 24V, without transformer: 10A at 600V	✓	✓
ODBA-RT-120 ¹	Single-pole relay, coil 24V, with transformer 120V/24V, 25A at 120V (2-wire only)	✓	✓
ODBA-RT-208	Single-pole relay, coil 24V, with transformer 208V/24V, 22A at 208V	✓	✓
ODBA-RT-240	Single-pole relay, coil 24V, with transformer 240V/24V, 22A at 240V	✓	✓
ODBA-RT-277	Single-pole relay, coil 24V, with transformer 277V/24V, 19A at 277V	✓	✓
ODBA-RT-347	Single-pole relay, coil 24V, with transformer 347V/24V, 18A at 347V	✓	✓
ODBA-RT-600 ¹	Single-pole relay, coil 24V, with transformer 600V/24V, 10A at 600V (2-wire only)	✓	✓
ODBA-SV-XX	Empty cabinet with length of XX mm (minimum: 154 mm, maximum: 2625 mm)	-	✓
ODBA-TB6	Single-pole bi-metal thermostat: 25A at 120V, 208V, 240V, 277V - 10A at 347V, 480V, 600V	✓	✓
ODBA-TB26 ²	Double-pole bi-metal thermostat: 25A at 120V, 208V, 240V, 277V - 10A at 347V, 480V, 600V	✓	✓
ODBA-TB6-AV	Single-pole bi-metal tamperproof thermostat: 25A at 120V, 208V, 240V, 277V - 10A at 347V, 480V, 600V	✓	✓
ODBA-TB26-AV ²	Double-pole bi-metal tamperproof thermostat: 25A at 120V, 208V, 240V, 277V - 10A at 347V, 480V, 600V	✓	✓
ODBA-TRIAC-347	Single-pole electronic relay, coil 24V, without transformer, 15A max. at 347V max.	✓	✓
ODBA-TRIAC-347T	Single-pole electronic relay, coil 24V, with transformer, 15A max. at 208V, 240V, 347V	✓	✓
ODBA-TRIAC-600	Single-pole electronic relay, coil 24V, without transformer, 6A at 600V max.	✓	✓

¹ These 2-wire relays with transformer can't supply of 3-wire low voltage thermostats.

² "Off" position.



OCB Aluminum Draft Barrier



With bottom fresh air inlet and pedestals



Features

Color

- Standard: white, almond.
- Optional: metallic silver, bronze, metallic charcoal, textured black, beige-grey, aluminum, semi-gloss black.
- Custom colors available upon request.

Finish

- Standard: epoxy/polyester powder paint.
- Optional: anodized aluminum.

Voltage

- 208V, 240V, 277V, 347V, 600V, 50/60 Hz, 1-phase.

Construction

- 14-gauge (0.0787 in. [2 mm]) aluminum front cover.
- 18-gauge satin coat steel cabinet.
- Full length built-in wireway.
- Separate low voltage wireway (-WW) available.
- Pencil-proof openings less than 1/4 in. (6.4 mm).
- Front fresh air inlet or bottom (-BAI); top warm air outlet.
- Clean back available (-BD).
- Linear high-limit temperature control with automatic reset.
- End caps included.

Heating element

- Stainless steel tubular heating element with aluminum fins.
- Floating heating elements on high-temperature nylon bushings eliminating expansion noises.

Watt density

- Standard watt density.
- Low watt density.

Control

- Built-in thermostat available with a control knob or tamperproof (installed on the right end only).
- Mechanical, electronic or pneumatic relays available (installed on the right end only).

Ouellet highly recommends to use an electronic wall thermostat for greater comfort.

Installation

- Heater must be installed at least 3 in. (76 mm) from finished floor (for -BAI option).
- Mounting holes spaced on 1 in. (25.4 mm) intervals for ease of installation.
- Wall or floor mounted installation.
- Variety of accessories available for wall-to-wall installation.
- Pedestal kit available.

Warranty

- 1-year warranty against defects.

Application

- Commercial building, office building, hospital, daycare center, private residence.

Standard Watt Density Models

Watts	Product #			Length		Weight	
	208V	240V	277V	in.	mm	lb	kg
500	OCB0508	OCB0500	OCB0577	28	711	8.0	3.6
750	OCB0758	OCB0750	OCB0777	38	965	10.8	4.9
1000	OCB1008	OCB1000	OCB1077	48 3/16	1224	13.7	6.2
1250	OCB1258	OCB1250	OCB1277	57 11/16	1465	16.4	7.5
1500	OCB1508	OCB1500	OCB1577	66 7/16	1687	18.8	8.6
1750	OCB1758	OCB1750	OCB1777	75 13/16	1925	21.5	9.8
2000	OCB2008	OCB2000	OCB2077	84 9/16	2148	24.0	10.9
2250	OCB2258	OCB2250	OCB2277	93 1/2	2375	26.5	12.1
2500	OCB2508	OCB2500	OCB2577	102 5/8	2606	29.1	13.2

Low Watt Density Models

Product # ¹	Length	Weight	Average Density W/ft.	Watts	Watts 240/208V	120V	208V	240/208V	277V
OCB020X-711	28" (711 mm)	8.0 lb (3.6 kg)	100	200	200/150	✓	✓	✓	-
OCB030X-711			150	300	300/225	✓	✓	✓	-
OCB040X-711			200	400	400/300	✓	✓	✓	✓
OCB030X-965	38" (965 mm)	10.8 lb (4.9 kg)	100	300	300/225	✓	✓	✓	✓
OCB045X-965			150	450	450/338	✓	✓	✓	✓
OCB060X-965			200	600	600/450	✓	✓	✓	✓
OCB040X-1224	48 3/16" (1224 mm)	13.7 lb (6.2 kg)	100	400	400/300	✓	✓	✓	✓
OCB060X-1224			150	600	600/450	✓	✓	✓	✓
OCB080X-1224			200	800	800/600	✓	✓	✓	✓
OCB050X-1465	57 11/16" (1465 mm)	16.4 lb (7.5 kg)	100	500	500/375	✓	✓	✓	✓
OCB075X-1465			150	750	750/563	✓	✓	✓	✓
OCB100X-1465			200	1000	1000/750	✓	✓	✓	✓
OCB060X-1687	66 7/16" (1687 mm)	18.8 lb (8.6 kg)	100	600	600/450	✓	✓	✓	✓
OCB090X-1687			150	900	900/675	✓	✓	✓	✓
OCB120X-1687			200	1200	1200/900	✓	✓	✓	✓
OCB070X-1925	75 13/16" (1925 mm)	21.5 lb (9.8 kg)	100	700	700/525	✓	✓	✓	✓
OCB105X-1925			150	1050	1050/788	✓	✓	✓	✓
OCB140X-1925			200	1400	1400/1050	✓	✓	✓	✓
OCB080X-2148	84 9/16" (2148 mm)	24.0 lb (10.9 kg)	100	800	800/600	✓	✓	✓	✓
OCB120X-2148			150	1200	1200/900	✓	✓	✓	✓
OCB160X-2148			200	1600	1600/1200	-	✓	✓	✓
OCB090X-2375	93 1/2" (2375 mm)	26.5 lb (12.1 kg)	100	900	900/675	✓	✓	✓	✓
OCB135X-2375			150	1350	1350/1013	-	✓	✓	✓
OCB180X-2375			200	1800	1800/1350	-	✓	✓	✓
OCB100X-2606	102 5/8" (2606mm)	29.1 lb (13.2 kg)	100	1000	1000/750	✓	✓	✓	✓
OCB150X-2606			150	1500	1500/1125	-	✓	✓	✓
OCB200X-2606			200	2000	2000/1500	-	✓	✓	✓

¹ X = 2 (120V), 8 (208V), 0 (240/208V), 77 (277V).

✓ = Available.

Add "BL" for white, "AM" for almond. Optional colors shown in the color chart section are available upon request.

Other colors, accessories and finishes are available upon request. Please contact your customer service representative.

Other voltages available upon request.

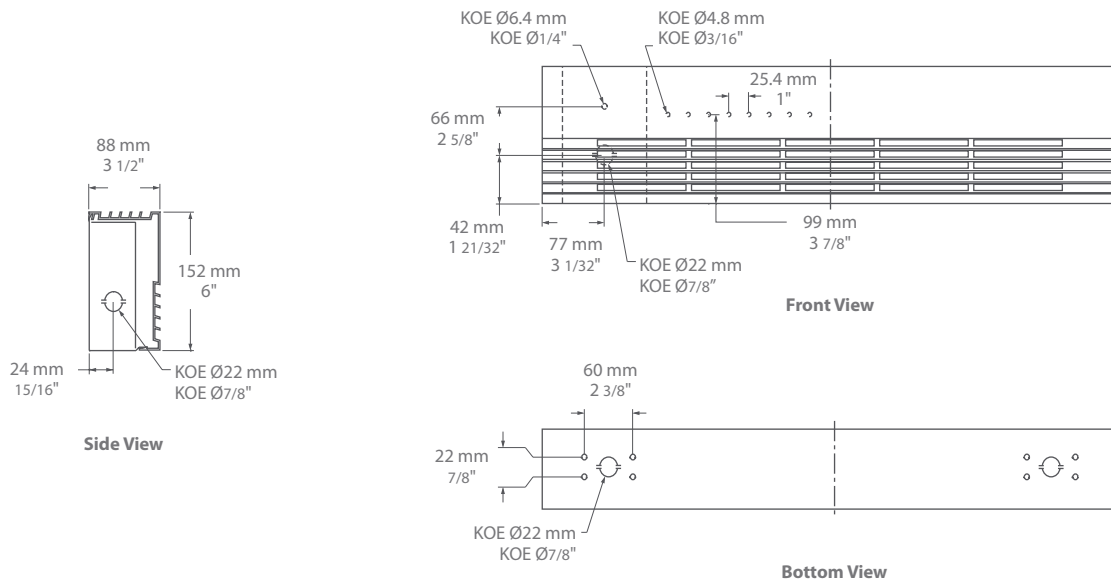
OCB

Options

Product #	Description	Factory Installed	Kit
OCB-BAI	Bottom fresh air inlet	✓	-
OCB-BD ¹	Clean back	✓	-
OCB-CE	Outside corner, 6 in. (152 mm)	-	✓
OCB-CI	Inside corner, 6 in. (152 mm)	-	✓
OCB-DIS20	Disconnect switch, 20A at 277V max.	✓	✓
OCB-JT	Splice plate, 1 3/16 in. (30 mm)	-	✓
OCB-JT-PE	Contour splice plate for BD option and/or heater with pedestals, 1 3/16 in. (30 mm)	-	✓
OCB-PE	Round pedestal kit (2), 3 in. (76 mm)	-	✓
OCB-PEC	Square-shaped pedestal kit (2), 3 in. (76 mm)	-	✓
OCB-PM	Pneumatic relay, 20A at 600V max.	✓	-
OCB-R347	Single-pole relay, coil 24V, without transformer: 22A at 120V, 208V, 240V - 19A at 277V - 18A at 347V	✓	✓
OCB-R600	Single-pole relay, coil 24V, without transformer, 10A at 600V	✓	✓
OCB-RT-120 ²	Single-pole relay, coil 24V, with transformer 120V/24V, 25A at 120V (2-wire only)	✓	✓
OCB-RT-208	Single-pole relay, coil 24V, with transformer 208V/24V, 22A at 208V	✓	✓
OCB-RT-240	Single-pole relay, coil 24V, with transformer 240V/24V, 22A at 240V	✓	✓
OCB-RT-277	Single-pole relay, coil 24V, with transformer 277V/24V, 19A at 277V	✓	✓
OCB-RT-347	Single-pole relay, coil 24V, with transformer 347V/24V, 18A at 347V	✓	✓
OCB-RT-600 ²	Single-pole relay, coil 24V, with transformer 600V/24V, 10A at 600V (2-wire only)	✓	✓
OCB-SV-XX	Empty cabinet with length of XX mm (minimum: 154 mm, maximum: 2606 mm)	-	✓
OCB-T	Single-pole thermostat: 30A at 120V, 208V, 240V - 15A at 277V, 347V, 600V	✓	✓
OCB-T2	Double-pole thermostat: 30A at 120V, 208V, 240V - 15A at 277V, 347V, 600V	✓	✓
OCB-T-AV	Single-pole tamperproof thermostat: 30A at 120V, 208V, 240V - 15A at 277V, 347V, 600V	✓	✓
OCB-T2-AV	Double-pole tamperproof thermostat: 30A at 120V, 208V, 240V - 15A at 277V, 347V, 600V	✓	✓
OCB-TRIAC-347	Single-pole electronic relay, coil 24V, without transformer, 15A at 347V max.	✓	✓
OCB-TRIAC-347T	Single-pole electronic relay, coil 24V, with transformer, 15A at 208V, 240V, 347V	✓	✓
OCB-TRIAC-600	Single-pole electronic relay, coil 24V, without transformer, 6A at 600V max.	✓	✓
OCB-WW	24V wireway	✓	-

¹ For anodized aluminum heaters, the clean back option will be fixed with visible rivets.

² These 2-wire relay with transformer can't supply of 3-wire low voltage thermostats.



ODI Aluminum Sloped Top Draft Barrier



With pedestals



1



2



3



4



5

Features

Color

- Standard: white, almond.
- Optional: metallic silver, bronze, metallic charcoal, textured black, beige-grey, aluminum, semi-gloss black.
- Custom colors available upon request.

Finish

- Standard: epoxy/polyester powder paint.
- Optional: anodized aluminum.

Voltage

- 120V, 208V, 240/208V, 277V, 347V, 600V, 50/60 Hz, 1-phase.

Construction

- 14-gauge (0.0787 in. [2 mm]) aluminum front cover. **1**
- 18-gauge satin coat steel cabinet.
- Screw assembly for added strength.
- Full length built-in wireway.
- Pencil-proof openings less than 1/4 in. (6.4 mm). **2**
- Front fresh air inlet or bottom (-BAI); top warm air outlet.
- Clean back available (-BD).
- Linear high-limit temperature control with automatic reset. High altitude version available (-HA).
- End caps included. **3**

Heating element

- Stainless steel tubular heating element with aluminum fins. **4**
- Floating heating element on high-temperature nylon bushings eliminating expansion noises.

Watt density

- Standard watt density.
- Low watt density.

Control

- Built-in thermostat available with a control knob or tamperproof. **5**
- Mechanical, electronic or pneumatic relays available (installed on the right end only).

Ouellet highly recommends to use an electronic wall thermostat for greater comfort.

Installation

- Heater must be installed at least 2 in. (51 mm) from finished floor (for -BAI option).
- Mounting holes spaced on 4 in. (102 mm) intervals for ease of installation.
- Wall or floor mounted installation.
- Variety of accessories available for wall-to-wall installation.
- Pedestal kit available.

Warranty

- 1-year warranty against defects.

Application

- Commercial building, office building, hospital, daycare center, private residence.

Standard Watt Density Models

Watts	Watts		Product #			Length		Weight	
	240/208V	120V	208V	240/208V	277V	in.	mm	lb	kg
500	500/375	ODI0502	ODI0508	ODI0500	ODI0577	29 1/16	738	9.1	4.1
750	750/563	ODI0752	ODI0758	ODI0750	ODI0777	39 1/16	992	11.9	5.4
1000	1000/750	ODI1002	ODI1008	ODI1000	ODI1077	49 5/16	1253	14.7	6.6
1250	1250/938	ODI1252	ODI1258	ODI1250	ODI1277	58 13/16	1494	17.3	7.9
1500	1500/1125	ODI1502	ODI1508	ODI1500	ODI1577	67 1/2	1715	19.7	9.0
1750	1750/1313	-	ODI1758	ODI1750	ODI1777	76 7/8	1952	22.3	10.1
2000	2000/1500	-	ODI2008	ODI2000	ODI2077	85 5/8	2175	24.7	11.2
2250	2250/1688	-	ODI2258	ODI2250	ODI2277	94 1/2	2400	27.2	12.3
2500	2500/1875	-	ODI2508	ODI2500	ODI2577	103 5/8	2632	29.7	13.5

Low Watt Density Models

Product # ¹	Length	Weight	Average Density W/ft.	Watts	Watts 240/208V	120V	208V	240/208V	277V
ODI020X-738	29 1/16" (738 mm)	9.1 lb (4.1 kg)	100	200	200/150	✓	✓	✓	-
ODI030X-738			150	300	300/225	✓	✓	✓	-
ODI040X-738			200	400	400/300	✓	✓	✓	✓
ODI030X-992	39 1/16" (992 mm)	11.9 lb (5.4 kg)	100	300	300/225	✓	✓	✓	✓
ODI045X-992			150	450	450/338	✓	✓	✓	✓
ODI060X-992			200	600	600/450	✓	✓	✓	✓
ODI040X-1253	49 5/16" (1253 mm)	14.7 lb (6.6 kg)	100	400	400/300	✓	✓	✓	✓
ODI060X-1253			150	600	600/450	✓	✓	✓	✓
ODI080X-1253			200	800	800/600	✓	✓	✓	✓
ODI050X-1494	58 13/16" (1494 mm)	17.3 lb (7.9 kg)	100	500	500/375	✓	✓	✓	✓
ODI075X-1494			150	750	750/563	✓	✓	✓	✓
ODI100X-1494			200	1000	1000/750	✓	✓	✓	✓
ODI060X-1715	67 1/2" (1715 mm)	19.7 lb (9.0 kg)	100	600	600/450	✓	✓	✓	✓
ODI090X-1715			150	900	900/675	✓	✓	✓	✓
ODI120X-1715			200	1200	1200/900	✓	✓	✓	✓
ODI070X-1952	76 7/8" (1952 mm)	22.3 lb (10.1 kg)	100	700	700/525	✓	✓	✓	✓
ODI105X-1952			150	1050	1050/788	✓	✓	✓	✓
ODI140X-1952			200	1400	1400/1050	✓	✓	✓	✓
ODI080X-2175	85 5/8" (2175 mm)	24.7 lb (11.2 kg)	100	800	800/600	✓	✓	✓	✓
ODI120X-2175			150	1200	1200/900	✓	✓	✓	✓
ODI160X-2175			200	1600	1600/1200	-	✓	✓	✓
ODI090X-2400	94 1/2" (2400 mm)	27.2 lb (12.3 kg)	100	900	900/675	✓	✓	✓	✓
ODI135X-2400			150	1350	1350/1013	-	✓	✓	✓
ODI180X-2400			200	1800	1800/1350	-	✓	✓	✓
ODI100X-2632	103 5/8" (2632 mm)	29.7 lb (13.5 kg)	100	1000	1000/750	✓	✓	✓	✓
ODI150X-2632			150	1500	1500/1125	-	✓	✓	✓
ODI200X-2632			200	2000	2000/1500	-	✓	✓	✓
ODI225X-2632			200	2250	2250/1688	-	✓	✓	✓

¹ X = 2 (120V), 8 (208V), 0 (240/208V), 77 (277V).

✓ = Available.

Add "BL" for white, "AM" for almond. Optional colors shown in the color chart section are available upon request.

Other colors, accessories and finishes are available upon request. Please contact your customer service representative.

Other voltages available upon request.

ODI

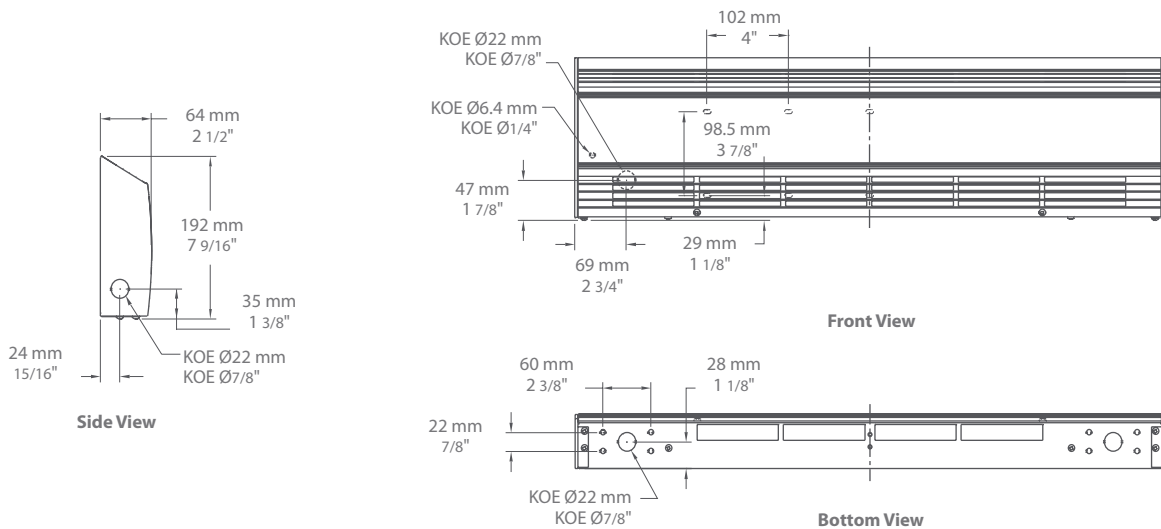
Options

Product #	Description	Factory Installed	Kit
ODI-BAI	Bottom fresh air inlet	✓	-
ODI-BD ¹	Clean back	✓	-
ODI-CE	Outside corner, 4 in. (102 mm)	-	✓
ODI-CI	Inside corner, 4 in. (102 mm)	-	✓
ODB/ODI-DIS20	Disconnect switch, 20A at 277V max.	✓	✓
ODB/ODI-DIS40	Disconnect switch, 40A at 600V max.	✓	✓
ODI-HA	Linear high-limit temperature control for high altitude (6000 ft. to 8200 ft.)	✓	-
ODI-JT	Splice plate, 2 in. (51 mm)	-	✓
ODI-JT-PE	Contour splice plate for BD option and/or heater with pedestals, 2 in. (51 mm)	-	✓
ODB/ODI-PE	Round pedestal kit (2), 3 in. (76 mm)	-	✓
ODB/ODI-PEC	Square-shaped pedestal kit (2), 2 in. (51 mm)	-	✓
ODI-PM	Pneumatic relay, 20A at 600V max.	✓	-
ODI-R-347	Single-pole relay, coil 24V, without transformer: 22A at 120V, 208V, 240V - 19A at 277V - 18A at 347V	✓	✓
ODI-R-600	Single-pole relay, coil 24V, without transformer: 10A at 600V	✓	✓
ODI-RT-120 ²	Single-pole relay, coil 24V, with transformer 120V/24V, 25A at 120V (2-wire only)	✓	✓
ODI-RT-208	Single-pole relay, coil 24V, with transformer 208V/24V, 22A at 208V	✓	✓
ODI-RT-240	Single-pole relay, coil 24V, with transformer 240V/24V, 22A at 240V	✓	✓
ODI-RT-277	Single-pole relay, coil 24V, with transformer 277V/24V, 19A at 277V	✓	✓
ODI-RT-347	Single-pole relay, coil 24V, with transformer 347V/24V, 18A at 347V	✓	✓
ODI-RT-600 ²	Single-pole relay, coil 24V, with transformer 600V/24V, 10A at 600V (2-wire only)	✓	✓
ODI-SV-XX	Empty cabinet with length of XX mm (minimum: 154 mm, maximum: 2632 mm)	-	✓
ODI-TB6	Single-pole bi-metal thermostat: 25A at 120V, 208V, 240V, 277V - 10A at 347V, 480V, 600V	✓	✓
ODI-TB26 ³	Double-pole bi-metal thermostat: 25A at 120V, 208V, 240V, 277V - 10A at 347V, 480V, 600V	✓	✓
ODI-TB6-AV	Single-pole bi-metal tamperproof thermostat: 25A at 120V, 208V, 240V, 277V - 10A at 347V, 480V, 600V	✓	✓
ODI-TB26-AV ³	Double-pole bi-metal tamperproof thermostat: 25A at 120V, 208V, 240V, 277V - 10A at 347V, 480V, 600V	✓	✓
ODI-TRIAC-347	Single-pole electronic relay, coil 24V, without transformer, 15A at 347V max.	✓	✓
ODI-TRIAC-347T	Single-pole electronic relay, coil 24V, with transformer, 15A at 208V, 240V, 347V	✓	✓
ODI-TRIAC-600	Single-pole electronic relay, coil 24V, without transformer, 6A at 600V max.	✓	✓

¹ For anodized aluminum heaters, the clean back option will be fixed with visible rivets.

² These 2-wire relays with transformer can't supply of 3-wire low voltage thermostats.

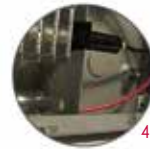
³ "Off" position.



ODIA Heavy-Duty Steel Sloped Top Draft Barrier



With bottom fresh air inlet and pedestals



Features

Color

- Standard: white, almond.
- Optional: metallic silver, bronze, metallic charcoal, textured black, beige-grey, aluminum, semi-gloss black.
- Custom colors available upon request.

Finish

- Standard: epoxy/polyester powder paint.
- Optional: steel plated.

Voltage

- 120V, 208V, 240V/208V, 277V, 347V, 600V, 50/60 Hz, 1-phase.

Construction

- 16-gauge steel front cover. **1**
- 18-gauge satin coat steel cabinet.
- Screw assembly for added strength.
- Full length built-in wireway.
- Front fresh air inlet or bottom (-BAI); top warm air outlet. **2**
- Clean back available (-BD).
- Linear high-limit temperature control with automatic reset. High altitude version available (-HA).
- End caps included. **3**

Heating element

- Stainless steel tubular heating element with aluminum fins.
- Floating heating element on high-temperature nylon bushings eliminating expansion noises. **4**

Watt density

- Standard watt density.
- Low watt density.

Control

- Built-in thermostat available with a control knob or tamperproof.
- Mechanical, electronic or pneumatic relays available (installed on the right end only).

Ouellet highly recommends to use an electronic wall thermostat for greater comfort.

Installation

- Heater must be installed at least 2 in. (51 mm) from finished floor (for -BAI option).
- Mounting holes spaced on 4 in. (102 mm) intervals for ease of installation.
- Wall or floor mounted installation.
- Variety of accessories available for wall-to-wall installation.
- Pedestal kit available. **5**

Warranty

- 1-year warranty against defects.

Application

- Commercial building, office building, hospital, daycare center, private residence.

Standard Watt Density Models¹

Watts	Watts		Product #			Length		Weight	
	240/208V	120V	208V	240/208V	277V	in.	mm	lb	kg
500	500/375	ODIA0502	ODIA0508	ODIA0500	ODIA0577	28 7/8	733	11.6	5.3
750	750/563	ODIA0752	ODIA0758	ODIA0750	ODIA0777	38 7/8	987	15.1	6.9
1000	1000/750	ODIA1002	ODIA1008	ODIA1000	ODIA1077	49 1/8	1248	18.7	8.5
1250	1250/938	ODIA1252	ODIA1258	ODIA1250	ODIA1277	58 5/8	1489	22.0	10.0
1500	1500/1125	ODIA1502	ODIA1508	ODIA1500	ODIA1577	67 5/16	1710	25.0	11.4
1750	1750/1313	-	ODIA1758	ODIA1750	ODIA1777	76 5/8	1947	28.3	12.8
2000	2000/1500	-	ODIA2008	ODIA2000	ODIA2077	85 7/16	2170	31.3	14.2
2250	2250/1688	-	ODIA2258	ODIA2250	ODIA2277	94 5/16	2395	34.4	15.6
2500	2500/1875	-	ODIA2508	ODIA2500	ODIA2577	103 7/16	2627	37.6	17.1

Low Watt Density Models

Product # ²	Length	Weight	Average Density W/ft.	Watts	Watts 240/208V	120V	208V	240/208V	277V
ODIA020X-733	28 7/8" (733 mm)	11.6 lb (5.3 kg)	100	200	200/150	✓	✓	✓	-
ODIA030X-733			150	300	300/225	✓	✓	✓	-
ODIA040X-733 ¹			200	400	400/300	✓	✓	✓	✓
ODIA030X-987	38 7/8" (987 mm)	15.1 lb (6.9 kg)	100	300	300/225	✓	✓	✓	✓
ODIA045X-987			150	450	450/338	✓	✓	✓	✓
ODIA060X-987 ¹			200	600	600/450	✓	✓	✓	✓
ODIA040X-1248	49 1/8" (1248 mm)	18.7 lb (8.5 kg)	100	400	400/300	✓	✓	✓	✓
ODIA060X-1248			150	600	600/450	✓	✓	✓	✓
ODIA080X-1248 ¹			200	800	800/600	✓	✓	✓	✓
ODIA050X-1489	58 5/8" (1489 mm)	22.0 lb (10.0 kg)	100	500	500/375	✓	✓	✓	✓
ODIA075X-1489			150	750	750/563	✓	✓	✓	✓
ODIA100X-1489 ¹			200	1000	1000/750	✓	✓	✓	✓
ODIA060X-1710	67 5/16" (1710 mm)	25.0 lb (11.4 kg)	100	600	600/450	✓	✓	✓	✓
ODIA090X-1710			150	900	900/675	✓	✓	✓	✓
ODIA120X-1710 ¹			200	1200	1200/900	✓	✓	✓	✓
ODIA070X-1947	76 5/8" (1947 mm)	28.3 lb (12.8 kg)	100	700	700/525	✓	✓	✓	✓
ODIA105X-1947			150	1050	1050/788	✓	✓	✓	✓
ODIA140X-1947 ¹			200	1400	1400/1050	✓	✓	✓	✓
ODIA080X-2170	85 7/16" (2170 mm)	31.3 lb (14.2 kg)	100	800	800/600	✓	✓	✓	✓
ODIA120X-2170			150	1200	1200/900	✓	✓	✓	✓
ODIA160X-2170 ¹			200	1600	1600/1200	-	✓	✓	✓
ODIA090X-2395	94 5/16" (2395 mm)	34.4 lb (15.6 kg)	100	900	900/675	✓	✓	✓	✓
ODIA135X-2395			150	1350	1350/1013	-	✓	✓	✓
ODIA180X-2395 ¹			200	1800	1800/1350	-	✓	✓	✓
ODIA100X-2627	103 7/16" (2627 mm)	37.6 lb (17.1 kg)	100	1000	1000/750	✓	✓	✓	✓
ODIA150X-2627			150	1500	1500/1125	-	✓	✓	✓
ODIA200X-2627 ¹			200	2000	2000/1500	-	✓	✓	✓
ODIA225X-2627 ¹			200	2250	2250/1688	-	✓	✓	✓

¹ Not for residential use in the United States.

² X = 2 (120V), 8 (208V), 0 (240/208V), 77 (277V).

✓ = Available.

Add "BL" for white, "AM" for almond. Optional colors shown in the color chart section are available upon request.

Other colors, accessories and finishes are available upon request. Please contact your customer service representative.

Other voltages available upon request.

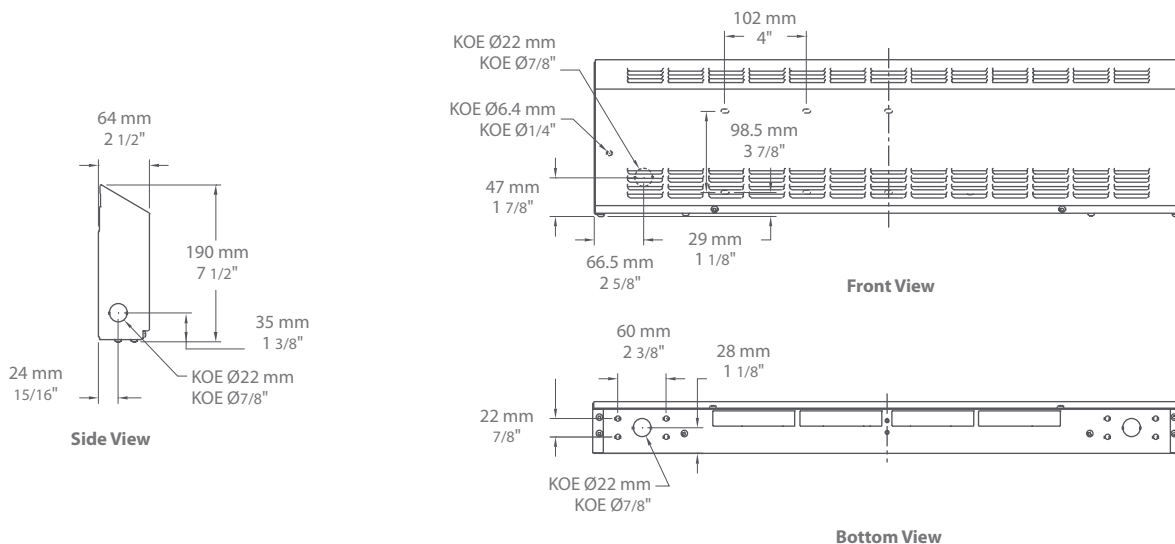
ODIA

Options

Product #	Description	Factory Installed	Kit
ODIA-BAI	Bottom fresh air inlet	✓	-
ODIA-BD	Clean back	✓	-
ODIA-CE	Outside corner, 4 in. (102 mm)	-	✓
ODIA-CI	Inside corner, 4 in. (102 mm)	-	✓
ODBA/ODIA-DIS20	Disconnect switch, 20A at 277V max.	✓	✓
ODBA/ODIA-DIS40	Disconnect switch, 40A at 600V max.	✓	✓
ODIA-HA	Linear high-limit temperature control for high altitude (6000 ft. to 8200 ft.)	✓	-
ODIA-JT	Splice plate, 2 in. (51 mm)	-	✓
ODIA-JT-PE	Contour splice plate for BD option and/or heater with pedestals, 2 in. (51 mm)	-	✓
ODBA/ODIA-PE	Round pedestal kit (2), 3 in. (76 mm)	-	✓
ODBA/ODIA-PEC	Square-shaped pedestal kit (2), 2 in. (51 mm)	-	✓
ODIA-PM	Pneumatic relay, 20A at 600V max.	✓	-
ODIA-R-347	Single-pole relay, coil 24V, without transformer: 22A at 120V, 208V, 240V - 19A at 277V - 18A at 347V	✓	✓
ODIA-R-600	Single-pole relay, coil 24V, without transformer: 10A at 600V	✓	✓
ODIA-RT-120 ¹	Single-pole relay, coil 24V, with transformer 120V/24V, 25A at 120V (2-wire only)	✓	✓
ODIA-RT-208	Single-pole relay, coil 24V, with transformer 208V/24V, 22A at 208V	✓	✓
ODIA-RT-240	Single-pole relay, coil 24V, with transformer 240V/24V, 22A at 240V	✓	✓
ODIA-RT-277	Single-pole relay, coil 24V, with transformer 277V/24V, 19A at 277V	✓	✓
ODIA-RT-347	Single-pole relay, coil 24V, with transformer 347V/24V, 18A at 347V	✓	✓
ODIA-RT-600 ¹	Single-pole relay, coil 24V, with transformer 600V/24V, 10A at 600V (2-wire only)	✓	✓
ODIA-SV-XX	Empty cabinet with length of XX mm (minimum: 154 mm, maximum: 2625 mm)	-	✓
ODIA-TB6	Single-pole bi-metal thermostat: 25A at 120V, 208V, 240V, 277V - 10A at 347V, 480V, 600V	✓	✓
ODIA-TB26 ²	Double-pole bi-metal thermostat: 25A at 120V, 208V, 240V, 277V - 10A at 347V, 480V, 600V	✓	✓
ODIA-TB6-AV	Single-pole bi-metal tamperproof thermostat: 25A at 120V, 208V, 240V, 277V - 10A at 347V, 480V, 600V	✓	✓
ODIA-TB26-AV ²	Double-pole bi-metal tamperproof thermostat: 25A at 120V, 208V, 240V, 277V - 10A at 347V, 480V, 600V	✓	✓
ODIA-TRIAC-347	Single-pole electronic relay, coil 24V, without transformer, 15A at 347V max.	✓	✓
ODIA-TRIAC-347T	Single-pole electronic relay, coil 24V, with transformer, 15A at 208V, 240V, 347V	✓	✓
ODIA-TRIAC-600	Single-pole electronic relay, coil 24V, without transformer, 6A at 600V max.	✓	✓

¹ These 2-wire relays with transformer can't supply of 3-wire low voltage thermostats.

² "Off" position.



OHB High Density Aluminum Draft Barrier



With pedestals



1



2



3



4



5

Features

Color

- Standard: white, almond.
- Optional: metallic silver, bronze, metallic charcoal, textured black, beige-grey, aluminum, semi-gloss black.
- Custom colors available upon request.

Finish

- Standard: epoxy/polyester powder paint.
- Optional: anodized aluminum.

Voltage

- 208V, 240/208V, 277V, 347V, 600V, 50/60 Hz, 1-phase.

Construction

- 14-gauge (0.0787 in. [2 mm]) aluminum front cover. **1**
- 18-gauge satin coat steel cabinet.
- Screw assembly for added strength.
- Full length built-in wireway.
- Separate low voltage wireway (-WW) available.
- Pencil-proof openings less than 1/4 in. (6.4 mm). **2**
- Bottom fresh air inlet, top warm air outlet.
- Clean back available (-BD).
- Linear high-limit temperature control with automatic reset. **3**
- High altitude version available (-HA).
- End caps included.

Heating element

- Two stainless steel tubular heating elements with aluminum fins.
- Floating heating elements on high-temperature nylon bushings eliminating expansion noises. **4**

Watt density

- Standard watt density.
- Low watt density.
- High watt density.

Control

- Built-in thermostat available with a control knob or tamperproof.
- Mechanical, electronic or pneumatic relays available.

Ouellet highly recommends to use an electronic wall thermostat for greater comfort.

Installation

- Not for residential use in the United States.
- Heater must be installed at least 3 in. (76 mm) from finished floor.
- Mounting holes spaced on 2 in. (51 mm) intervals for ease of installation.
- Installation on wall or floor mounted with pedestals. **5**
- Pedestal kit available.
- Variety of accessories available for wall-to-wall installation.

Warranty

- 1-year warranty against defects.

Application

- Commercial building, office building, hospital, daycare center, private residence.

Standard Watt Density Models

Watts	Watts		Product #			Length		Weight	
	240/208V	208V	240/208V	277V	in.	mm	lb	kg	
750	750/563	OHB0758	OHB0750	-	23 5/8	600	10.7	4.8	
1000	1000/750	OHB1008	OHB1000	OHB1077	35 7/16	900	14.1	6.4	
1400	1400/1050	OHB1408	OHB1400	OHB1477	47 1/4	1200	17.6	8.0	
1750	1750/1313	OHB1758	OHB1750	OHB1777	59 1/16	1500	21.1	9.6	
2100	2100/1577	OHB2108	OHB2100	OHB2177	70 7/8	1800	24.6	11.1	
2450	2450/1840	OHB2458	OHB2450	OHB2477	82 11/16	2100	28.0	12.7	
2800	2800/2103	OHB2808	OHB2800	OHB2877	94 1/2	2400	31.5	14.3	

Low Watt Density Models

Product # ¹	Length	Weight	Average Density W/ft.	Watts	Watts 240/208V	208V	240/208V	277V
OHB040X-600	23 5/8"	10.7 lb	175	375	375/281	✓	✓	-
OHB050X-600	(600 mm)	(4.8 kg)	250	500	500/375	✓	✓	-
OHB050X-900	35 7/16"	14.1 lb	175	500	500/375	✓	✓	✓
OHB075X-900	(900 mm)	(6.4 kg)	250	750	750/563	✓	✓	✓
OHB070X-1200	47 1/4"	17.6 lb	175	700	700/525	✓	✓	✓
OHB100X-1200	(1200 mm)	(8.0 kg)	250	1000	1000/750	✓	✓	✓
OHB090X-1500	59 1/16"	21.1 lb	175	875	875/656	✓	✓	✓
OHB125X-1500	(1500 mm)	(9.6 kg)	250	1250	1250/938	✓	✓	✓
OHB105X-1800	70 7/8"	24.6 lb	175	1050	1050/788	✓	✓	✓
OHB150X-1800	(1800 mm)	(11.1 kg)	250	1500	1500/1125	✓	✓	✓
OHB120X-2100	82 11/16"	28.0 lb	175	1225	1225/919	✓	✓	✓
OHB175X-2100	(2100 mm)	(12.7 kg)	250	1750	1750/1313	✓	✓	✓
OHB140X-2400	94 1/2"	31.5 lb	175	1400	1400/1050	✓	✓	✓
OHB200X-2400	(2400 mm)	(14.3 kg)	250	2000	2000/1500	✓	✓	✓

High Watt Density Models

Watts	Watts		Product #			Length		Weight	
	240/208V	208V	240/208V	277V	in.	mm	lbs	kg	
1000	1000/750	OHBH1008	OHBH1000	OHBH1077	23 5/8	600	10.7	4.8	
1500	1500/1125	OHBH1508	OHBH1500	OHBH1577	35 7/16	900	14.1	6.4	
2000	2000/1500	OHBH2008	OHBH2000	OHBH2077	47 1/4	1200	17.6	8.0	
2500	2500/1875	OHBH2508	OHBH2500	OHBH2577	59 1/16	1500	21.1	9.6	
3000	3000/2250	OHBH3008	OHBH3000	OHBH3077	70 7/8	1800	24.6	11.1	
3500	3500/2625	OHBH3508	OHBH3500	OHBH3577	82 11/16	2100	28.0	12.7	
4000	4000/3000	OHBH4008	OHBH4000	OHBH4077	94 1/2	2400	31.5	14.3	

¹ X = 8 (208V), 0 (240/208V), 77 (277V).

✓ = Available.

Add "BL" for white, "AM" for almond. Optional colors shown in the color chart section are available upon request.

Other colors, accessories and finishes are available upon request. Please contact your customer service representative.

Other voltages available upon request.

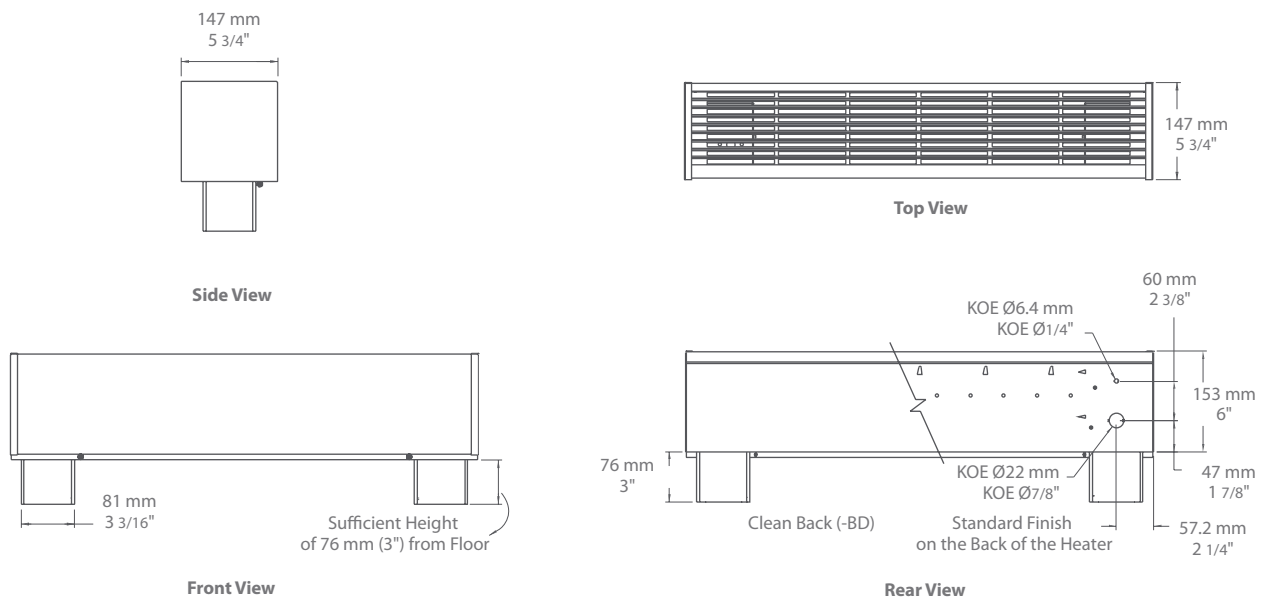
OHB

Options

Product #	Description	Factory Installed	Kit
OHB-BD ¹	Clean back	✓	-
OHB-CE	Outside corner, 8 in. (203 mm)	-	✓
OHB-CI	Inside corner, 8 in. (203 mm)	-	✓
OHB-DIS20	Disconnect switch, 20A at 277V max.	✓	✓
OHB-DIS40	Disconnect switch, 40A at 600V max.	✓	✓
OHB-HA	Linear high-limit temperature control for high altitude (6000 ft. to 8200 ft.)	✓	-
OHB-JT	Splice plate, 2 in. (51 mm)	-	✓
OHB-JT-PE	Contour splice plate for BD option and/or heater with pedestals, 2 in. (51 mm)	-	✓
OHB-PEC	Square-shaped pedestal kit (2), 3 in. (76 mm)	-	✓
OHB-PM	Pneumatic relay, 20A at 600V max.	✓	-
OHB-R-347	Single-pole relay, coil 24V, without transformer: 22A at 120V, 208V, 240V - 19A at 277V - 18A at 347V	✓	✓
OHB-R-600	Single-pole relay, coil 24V, without transformer: 10A at 600V	✓	✓
OHB-RT-208	Single-pole relay, coil 24V, with transformer 208V/24V, 22A at 208V	✓	✓
OHB-RT-240	Single-pole relay, coil 24V, with transformer 240V/24V, 22A at 240V	✓	✓
OHB-RT-277	Single-pole relay, coil 24V, with transformer 277V/24V, 19A at 277V	✓	✓
OHB-RT-347	Single-pole relay, coil 24V, with transformer 347V/24V, 18A at 347V	✓	✓
OHB-RT-600 ²	Single-pole relay, coil 24V, with transformer 600V/24V, 10A at 600V (2-wire only)	✓	✓
OHB-SV-XX	Empty cabinet with length of XX mm (minimum: 154 mm, maximum: 2606 mm)	-	✓
OHB-T	Single-pole thermostat: 25A at 208V, 240V - 10A at 277V, 347V, 600V	✓	✓
OHB-T2	Double-pole thermostat: 25A at 208V, 240V - 10A at 277V, 347V, 600V	✓	✓
OHB-T-AV	Single-pole tamperproof thermostat: 25A at 208V, 240V - 10A at 277V, 347V, 600V	✓	✓
OHB-T2-AV	Double-pole tamperproof thermostat: 25A at 208V, 240V - 10A at 277V, 347V, 600V	✓	✓
OHB-TRIAC-347	Single-pole electronic relay, coil 24V, without transformer, 15A at 347V max.	✓	✓
OHB-TRIAC-347T	Single-pole electronic relay, coil 24V, with transformer, 15A at 208V, 240V, 347V	✓	✓
OHB-TRIAC-600	Single-pole electronic relay, coil 24V, without transformer, 6A at 600V max.	✓	✓
OHB-WW	24V wireway includes high temperature wiring	✓	-

¹ For anodized aluminum heaters, the clean back option will be fixed with visible rivets.

² These 2-wire relays with transformer can't supply a 3-wire low voltage thermostats.



OLA/OLI and OPA/OPI



OLA



High Density Architectural Cabinet Convector

OLA and OLI architectural convectors feature heavy duty construction and are designed for large commercial or institutional spaces. These units are available in sizes up to 6000W (single or three phase) and come complete with attractive bar grills and installation accessories. In addition, the OLA's front warm air outlet (-FR) allows you to recess the unit into the wall, while the OLI's sloped top prevents it from being used as a shelf or step.

Not for residential use in the United States.

OLI



High Density Architectural Sloped Top Cabinet Convector



OPA



Architectural Cabinet Convector

OPA and OPI architectural convectors are available in sizes up to 4000W (single phase). The OPI has a sloped top to prevent it from being used as a shelf or step. These units are perfect for schools, exhibition halls, hotels, and institutions, and feature attractive bar grills. Their innovative features and many available accessories and options help maximize comfort and durability.

Not for residential use in the United States.

OPI



Architectural Sloped Top Cabinet Convector

Special high watt density architectural draft barriers and convectors are available. Contact customer service representative for pricing and lead time. See www.ouellet.com for sales bulletins and specifications.

OAF AirForce™ High Speed Hand Dryer



Features

Color

- Standard: white.

Finish

- Standard: epoxy paint incorporated with SteriTouch® antimicrobial additive.
- Optional: chrome plating.

Voltage

- 120V, 240V, 1-phase.

Construction

- Die cast aluminum housing.
- Warm air multi-jet technology (11 high velocity exit nozzles).

Fan

- Universal brush type motor, thermally protected, operating at 34,000 rpm.
- Delivers 105 cfm of air volume at high velocity of 19,360 lfm (85.1 dBA with hands).

Heating element

- No heating element. Drying power comes from redirection of motor heat.

Control

- Activated by an automatic active infrared sensor controlled by a circuit board with 1-second run-on time and 30-second vandal shut-off.

Installation

- Surface-mounted with security screws to prevent vandalism (tool supplied).

Warranty

- 5-year warranty against defects.

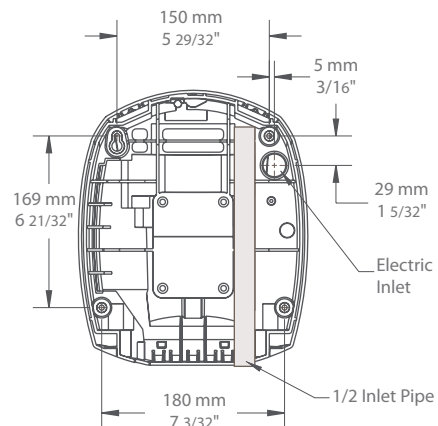
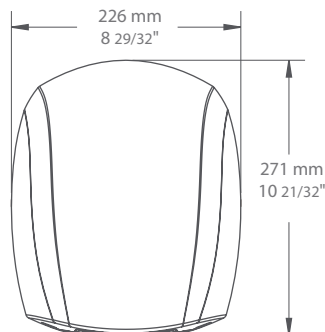
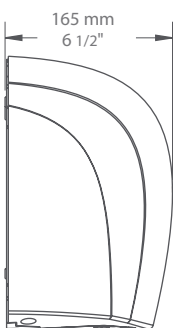
Application

- Bar, school, penitentiary, restaurant, commercial mall.

Models

Watts	Volts	Product #	Weight	
			lb	kg
1100	120	OAF1102	7.0	3.2
1100	240	OAF1100	7.0	3.2

Add "BL" for white, "CR" for chrome.



OAD AirDuo Hand and Hair Dryer



Features

Color

- Standard: white.

Finish

- Standard: epoxy paint.

Voltage

- 120V, 240/208V, 1-phase.

Construction

- Die cast aluminum housing.
- 360° revolving die cast aluminum nozzle finished in bright chrome plating. Nozzle can be locked to fixed position in the field.

Fan

- Brushless type motor, thermally protected, operating at 3200 rpm.
- Delivers 148 cfm of air volume and 4700 lfm of air velocity (74 dBA with hands).

Heating element

- Nichrome wire heating element providing instant heat.

Control

- Pushbutton with micro-switch activated timer. Time cycle setting can be adjusted in the field from 15 seconds to 3 minutes.

Installation

- Surface-mounted with security screws to prevent vandalism (tool supplied).

Warranty

- 10-year warranty against defects.

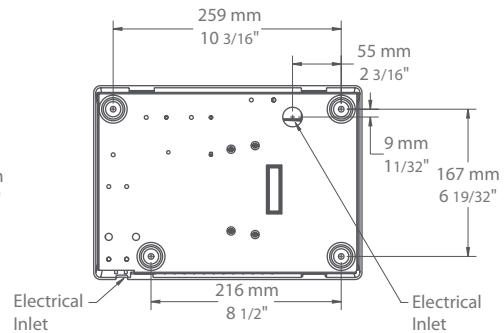
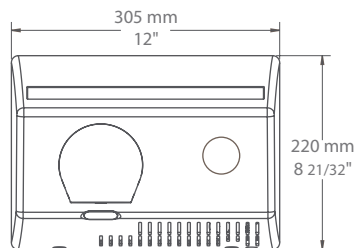
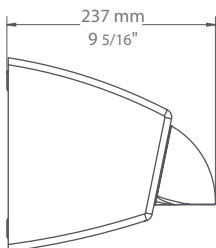
Application

- School, gymnasium, health center, pool.

Models

Watts	Volts	Product #	Weight	
			lb	kg
1800	120	OAD1802BL	18.0	8.2
1800/1350	240/208	OAD1800BL	18.0	8.2

Standard color is white.



OAM AirMulti Multi-Voltage Hand Dryer



Features

Color

- Standard: white.

Finish

- Standard: epoxy paint.

Voltage

- Automatically adjusts itself to all power conditions, from 100V to 240V.

Construction

- Die cast aluminum housing.

Fan

- Brush type motor, thermally protected, operating at 7500 rpm.
- Delivers 134 cfm of air volume and 6400 lfm of air velocity (76 dBA with hands).

Heating element

- Coil wound on mica support.

Control

- Automatic infrared sensor.

Installation

- Surface-mounted with security screws to prevent vandalism (tool supplied).

Warranty

- 2-year warranty against defects.

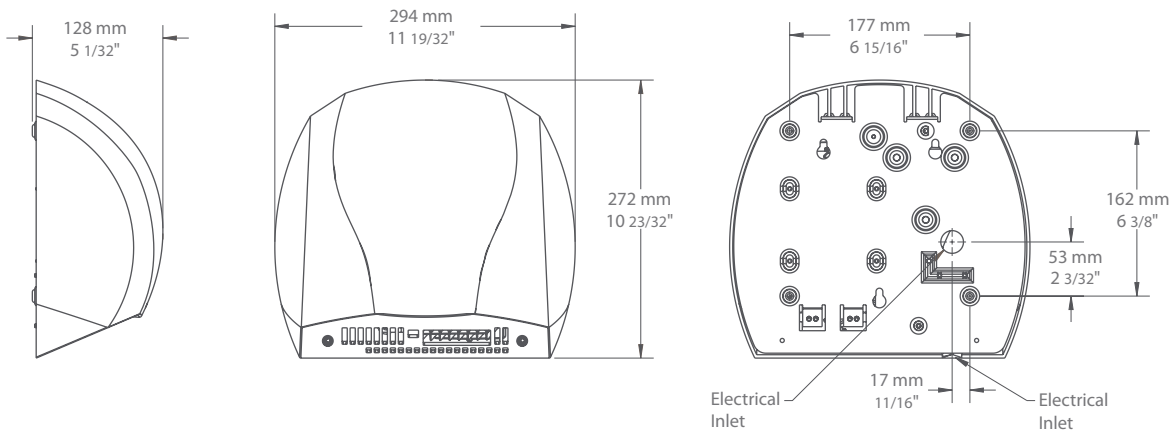
Application

- Ideal for light to medium traffic facilities.

Model

Watts	Volts	Product #	Weight	
			lb	kg
1150	100 to 240	OAM1150BL	10.0	4.6

Standard color is white.



XAP AirPlus New Generation Hand Dryer



Features

Color

- Standard: aluminum.

Finish

- Standard: ABS plastic with antibacterial Microban®.

Tension

- 120V, 240V, 1 phase.

Construction

- 2.6 mm high-impact ABS plastic housing.
- Internal water recovery pan at bottom of unit.
- Full pan sound and LED alert.
- Note: Unit still functions if pan is full.*

Fan

- Two thermally protected universal brush type motors running at 32000 rpm.
- Multi air jet technology (300 air outlets at 200 km/h)
- Low 72 dBA noise level at one meter distance.

Heating element

- No heating element. Drying power comes from redirection of motor heat and the powerful air jets.

Operation

- Infrared sensor for automatic on when hands are inserted.
- Automatic stop after 25 seconds continuous operation.

Installation

- Surface mounted with tamperproof screws.

Warranty

- 5-year warranty against defects.

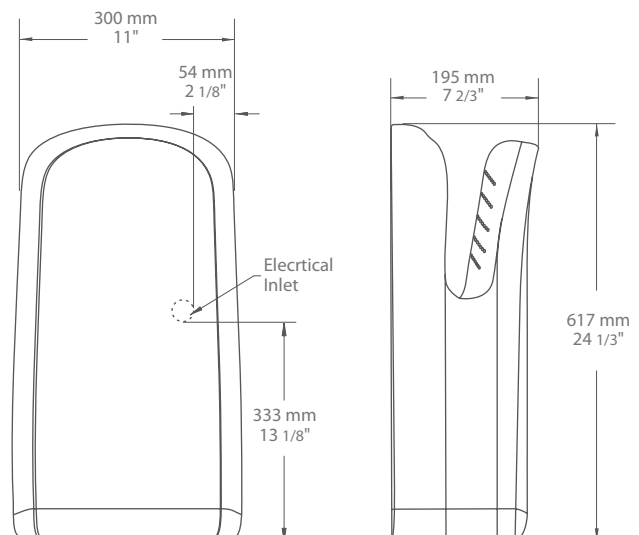
Application

- Bar, restaurant, shopping center, or public place.

Models

Watts	Volts	Product #	Weight	
			lb	kg
1760	120	XAP1762AL	21.1	9.55
1760	240	XAP1760AL	21.1	9.55

Standard color is aluminum.



Wall Thermostats Reference Chart

Thermostat Models											
The suggested thermostats may be incompatible with certain voltage or power levels of the product line; please consult the thermostat instruction manual to verify compatibility.											
Series	OTH2750 OTH2750P	OTH4000 OTH4000P	OTH5007 OTH5007P	OTH770 ²	OTH800D ²	OTH824 RT850 ¹	OTH824 RC840 ^{1,2}	TH140	TH115-AF	OTL101F ² OTL102F ²	Other
Residential/Commercial/Institutional											
Convection Heaters											
RBH	✓	✓	✓		✓	✓	✓			✓	THRF
ODL	✓	✓	✓		✓	✓	✓			✓	
Radiant Heaters											
ORC	✓	✓	✓		✓	✓	✓			✓	
ORR	✓	✓	✓			✓					
OTM				✓					✓		
OTR				✓					✓		
OWC				✓					✓		
Specialty Heaters											
OCP	✓ ²	✓ ²	✓ ²		✓		✓ ²			✓	
OFH	✓ ²	✓ ²	✓ ²		✓		✓ ²			✓	
Forced-Air Wall Heaters											
OVS	✓ ²	✓ ²	✓ ²		✓		✓ ²			✓	
OVR	✓ ²	✓ ²	✓ ²		✓		✓ ²			✓	
OAC							✓	✓		✓	
OAWH							✓	✓		✓	
OVE	✓ ²	✓ ²	✓ ²		✓		✓ ²			✓	
WHFC	✓ ²	✓ ²	✓ ²		✓		✓ ²			✓	
Forced-Air Ceiling Heaters											
OACP							✓	✓		✓	
ODS							✓	✓		✓	
OCA							✓	✓		✓	
Space/Unit Heater											
OHV							✓	✓		✓	
Industrial											
OAS							✓	✓		✓	
OWD											OWD-TM
OHX											OHX-TM
OCX											OCX-TM
OPX											OCX-TM
OIP	✓	✓	✓		✓	✓	✓			✓	
Architectural											
Draft Barrier Heaters											
OMB	✓	✓	✓		✓	✓	✓			✓	
ODB	✓	✓	✓		✓	✓	✓			✓	
ODBA	✓	✓	✓		✓	✓	✓			✓	
OCB	✓	✓	✓		✓	✓	✓			✓	
ODI	✓	✓	✓		✓	✓	✓			✓	
ODIA	✓	✓	✓		✓	✓	✓			✓	
OHB	✓	✓	✓		✓	✓	✓			✓	
Cabinet Convector Heaters											
OLA		✓	✓		✓	✓	✓			✓	
OLI		✓	✓		✓	✓	✓			✓	
OPA	✓	✓	✓		✓	✓	✓			✓	

¹ Optional built-in on/off relay or triac relay available.
² Fan mode.

Electrical Fundamentals

Ohm's Law

The relationship between Wattage (heat) output and the applied Voltage of electric resistance heating elements is determined by a precise physical rule defined as Ohm's Law which states that the current in a resistance heating element is directly proportional to the applied Voltage. Ohm's Law is traditionally expressed as:

$$I = \frac{E}{R} \quad \text{Where: } I = \text{Amperes (Current)}$$

$$E = \text{Voltage}$$

$$R = \text{Ohms (Resistance)}$$

The same equation using the conventional abbreviation for voltage is:

$$I = \frac{V}{R} \quad \text{Where: } I = \text{Amperes (Current)}$$

$$V = \text{Voltage}$$

$$R = \text{Ohms (Resistance)}$$

An unknown electrical value can be derived by using any two known values in one of the variations of Ohm's Law shown at the right.

VOLTS

$$\text{VOLTS} = \sqrt{\text{WATTS} \times \text{OHMS}}$$

$$\text{VOLTS} = \frac{\text{WATTS}}{\text{AMPERES}}$$

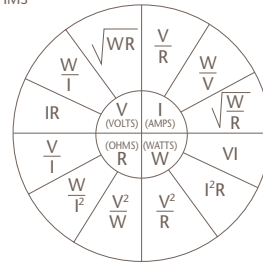
$$\text{VOLTS} = \text{AMPERES} \times \text{OHMS}$$

AMPERES

$$\text{AMPERES} = \frac{\text{VOLTS}}{\text{OHMS}}$$

$$\text{AMPERES} = \frac{\text{WATTS}}{\text{VOLTS}}$$

$$\text{AMPERES} = \sqrt{\frac{\text{WATTS}}{\text{OHMS}}}$$



OHMS

$$\text{OHMS} = \frac{\text{VOLTS}}{\text{AMPERES}}$$

$$\text{OHMS} = \frac{\text{WATTS}}{\text{AMPERES}^2}$$

$$\text{OHMS} = \frac{\text{VOLTS}^2}{\text{WATTS}}$$

WATTS

$$\text{WATTS} = \text{VOLTS} \times \text{AMPERES}$$

$$\text{WATTS} = \text{AMPERES}^2 \times \text{OHMS}$$

$$\text{WATTS} = \frac{\text{VOLTS}^2}{\text{OHMS}}$$

Electric Current Table

Power kW	Voltage (ph)					
	120V (1)	208V (1)	208V (3)	240V (1)	240V (3)	277V (1)
0.3	2.50	1.45	0.83	1.25	0.72	1.09
0.4	3.34	1.92	1.11	1.67	0.97	1.45
0.5	4.17	2.41	1.39	2.09	1.21	1.81
0.6	5.00	2.89	1.66	2.50	1.45	2.17
0.75	6.25	3.61	2.09	3.13	1.81	2.71
0.8	6.67	3.85	2.23	3.34	1.93	2.89
1.0	8.34	4.81	2.78	4.17	2.41	3.61
1.2	10.00	5.77	3.34	5.00	2.89	4.34
1.25	10.42	6.01	3.47	5.21	3.01	4.52
1.4	11.67	6.73	3.89	5.84	3.38	5.06
1.5	12.50	7.22	4.17	6.25	3.61	5.42
1.6	13.34	7.70	4.45	6.67	3.86	5.78
1.75	14.59	8.42	4.87	7.30	4.22	6.32
2.0	16.67	9.62	5.56	8.34	4.82	7.22
2.25	18.75	10.82	6.25	9.38	5.42	8.13
2.5	20.84	12.02	6.95	10.42	6.02	9.03
3.0	25.00	14.43	8.34	12.50	7.23	10.83
4.0	33.34	19.23	11.12	16.67	9.64	14.44
4.5	37.50	21.64	12.50	18.75	10.84	16.25
5.0	41.67	24.04	13.90	20.84	12.05	18.05
6.0	50.00	28.85	16.68	25.00	14.45	21.66
7.5	62.50	36.06	20.84	31.25	18.06	27.08
8.0	66.67	38.47	22.23	33.34	19.27	28.88
9.0	75.00	43.27	25.01	37.50	21.68	32.49
10.0	83.34	48.08	27.79	41.67	24.09	36.11
12.0	100.00	57.70	33.25	50.00	28.90	43.33
14.0	116.67	67.31	38.91	58.33	33.72	50.54
15.0	125.00	72.12	41.69	62.50	36.13	54.16
18.0	150.00	86.54	50.02	75.00	43.35	64.99
20.0	166.67	96.16	55.58	83.34	48.17	72.21
24.0	200.00	115.39	66.69	100.00	57.80	86.65
25.0	208.34	120.20	69.48	104.17	60.21	90.26
30.0	250.00	144.23	83.37	125.00	72.25	108.31
35.0	291.67	168.27	97.27	145.84	84.30	126.36
40.0	333.34	192.31	111.16	166.67	96.34	144.41
45.0	375.00	216.35	125.06	187.50	108.38	162.46
50.0	416.67	240.39	138.95	208.34	120.43	180.51
55.0	458.34	264.43	152.85	229.17	132.47	198.56
60.0	500.00	288.47	166.75	250.00	144.51	216.61

FAQ

What is required for properly sizing a heater in my room?

- If you have a room with 8 feet ceiling height; you can calculate the square footage times 10 watts per square foot.
- If your ceiling is higher than 8 feet; calculate the cubic footage L x W x H and multiply by 1 watt per square foot.
- If you plan on heating a garage calculate the cubic footage L x W x H and multiply by 1 watt per square foot and multiply the square footage for each garage door by 48 (watts per square foot) and add this amount to the cubic footage. This will be the amount required to heat the garage.

Are 120 volts and 240 volts heaters interchangeable?

- A 240 volts heater run at 120 volts will produce 1/4 of the rated wattage. A 120 volts heater run at 240 volts will be destroyed and could cause fire damage to the building.

If I know the BTU's required; how do I calculate the watts required?

- Watts = BTU/3.412 (1 Watt = 3.41 BTU)

Calculating Temperature Rise?

- Sometimes your heater does not feel like it is putting out enough heat. Why not, you ask?
- Temperature rise is calculated by taking the kW times the constant 3167 divided by the CFM. For instance:
5kW x 3167/300CFM = 15835/300CFM = 52.8 °F. If your ambient temperature is 60 °F the outlet air is 112 °F.

Cross Reference Chart

Electric Baseboard Heater 240/208V (page 2)

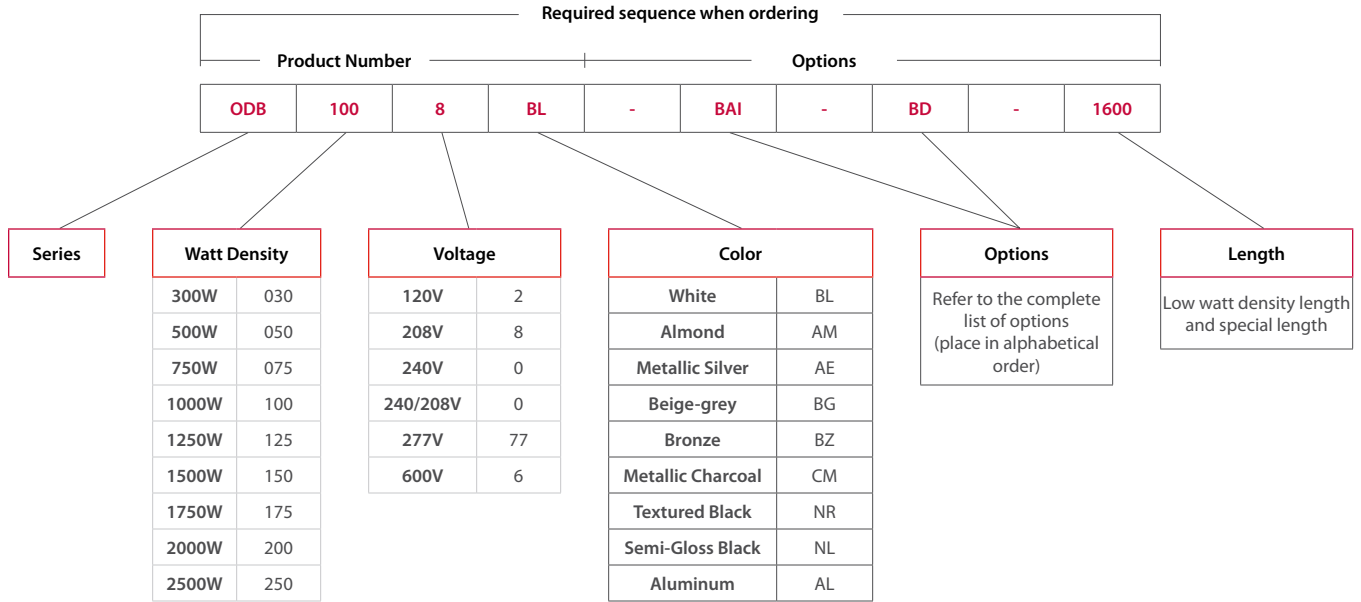
Watts	Ouellet	Berko	Chromalox	Markel	Qmark
300/225	RBH0300	2542W	BN/BL-2203W31	H 2903	QMK-2542W
500/375	RBH0500	2542-6W	BN/BL-2805W31	H 2905	QMK-25426W
750/563	RBH0750	2543W	BN/BL-3907W31	H 2907	QMK-2543W
1000/750	RBH1000	2544W	BN/BL-4810W31	H 2910	QMK-2544W
1250/938	RBH1250	2545W	BN/BL-5712W31	H 2912	QMK-2545W
1500/1125	RBH1500	2546W	BN/BL-6615W31	H 2915	QMK-2546W
1750/1313	RBH1750	-	BN/BL-7517W31	H 2917	-
2000/1500	RBH2000	2548W	BN/BL-8420W31	H 2920	QMK-2548W
2250/1688	RBH2250	-	BN/BL-9322W31	-	-
2500/1875	RBH2500	2540-8W	BN/BL-10225W31	-	QMK-25408W

Other Products

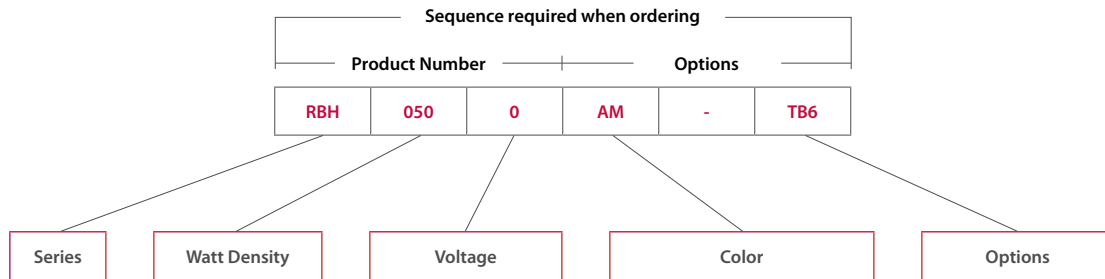
Ouellet	Page	Berko	Cadet	Electromode Chromalox	King	Markel	Qmark	Raywall
OAC Commercial Wall Heater	22	VFK, FRA/FRC	COACC	RFI/V/F	EFW	3310/3320 3420/3450	CWH/LFK	FPO AFA/AFC/AFH
OACP Commercial Ceiling Heater	49	QFF	-	RFITF	LPWC	3380	EFF	CEH
OAE Economical Unit Heater	55	HUH524TA	-	-	KBP	HF	MWUH5004	IH
OAS Industrial Suspended Unit Heater	62	HUH/SA	CEH/CAOS	EU	KB	UH	IUH	UH/5100
OAWH Forced-Air Architectural Wall Heater	24	FRC	LLW	EWA	LPWA	3450	AWH	AFC/AFH
OCA Forced-Air Cabinet Unit Heater	53	CUH	COCA	CCH	-	6300/ACUHT T SERIES	CU900	ACUHT T SERIES
OCB Aluminum Draft Barrier	85	CSL	-	-	-	-	DSH/CSH05	-
OCH Portable Heater	56	CAH	RCP	DGWH	-	ICH	-	1ICH
OCH-WB Red Portable Heater with Wall Bracket	57	-	-	-	-	-	-	HF6
OCP Kickspace Heater	47	TS	UC	CKHA	KT	TSM	QTS	TSM
O CX Explosion-Proof Heater	70	-	-	CED	-	-	-	-
O DB Aluminum Draft Barrier	79	ASL3	-	AF6	-	DBF/DBT/CB	DBA	DBF/DBT/CB
O DBA Heavy-Duty Steel Draft Barrier	82	CPL	-	-	K	-	DPH/CPH	-
O DI Aluminum Sloped Top Draft Barrier	88	-	-	AS8	-	-	-	-
O DIA Heavy-Duty Steel Sloped Top Draft Barrier	91	KCST	-	-	S	-	ST	-
O DS Ceiling Forced-Air Diffuser	51	FFCH	-	-	-	3480/3470	CDF	SCH/RCH
O FH Forced-Air Floor Heater	48	BFDI	-	FFIH	-	FH	FDI	FH
O HB High Density Aluminum Draft Barrier	94	CSL	-	-	LB	DBCT	DPH/SHA/ SCH07	DBCT
O HV Cyclone Commercial Unit Heater	60	HUHAA	-	-	-	5100	MUH	-
O HV-CC Cyclone Portable Unit Heater	58	-	-	-	-	-	QPH4A	-
O HV-RF Cyclone Hard Wire Unit Heater	59	-	-	-	-	-	MUH35	-
O HX Explosion-Proof Unit Heater	68	RUX	-	CXH-ED	XL	HLA	GUX	HLA
O HY Hybrid Convection and Forced-Air Wall Heater	26	-	-	-	-	-	-	-
O IP Industrial Sloped Top Cabinet Convactor	74	SCG	-	-	-	880	KCJ	880
O LA High Density Architectural Cabinet Convactor	97	CC/DCC CP SERIES	-	AF20	KCC	4150/2000	-	4140/2000
O LI High Density Architectural Sloped Top Cabinet Convactor	97	-	-	AF12	-	8500	ST	8500
O MB Mini Aluminum Draft Barrier	76	-	-	-	-	DBTS	CPH	DBTS
O PA Architectural Cabinet Convactor	97	ASL3/ASLS CC/DCC	-	-	-	4120	DSH14	4120
O PI Architectural Sloped Top Cabinet Convactor	97	ISCT	-	-	-	8500	-	8500
O PX Explosion-Proof Sloped Top Convactor Heater	72	SCG	-	-	-	FEP	ICG	FEP
O RC Sunshine Radiant Cove Heater	30	CHC	-	-	KCV	CV	RCC	CV
O RR Radiant Heater	33	RH	COKH	CRT/KRR/KR	CR/LR	-	HRK	-
O AF AirForce™ High Speed Hand Dryer	98	-	-	-	-	-	-	-
O AD AirDuo Hand and Air Dryer	99	-	-	-	-	-	-	-
O AM AirMulti Multi-Voltage Hand Dryer	100	-	-	-	-	-	-	-
O TM Thermat Floor Heating System	34	-	-	-	-	-	-	-
O TR Therma Cable Floor Heating System	36	-	-	-	-	-	-	-
O VE Source European-Style Wall Heater	28	-	-	EF	-	-	-	-
O VR Residential Register Heater	20	NFR	-	REG	PZ	-	GFR	MWS
O VS Residential Wall Heater	18	BD/SRA	XC	WH	PAW/DAW DEC	4000	CRA	MW
O WD Wash Down Unit Heater	66	TUW	-	HDH	KBS	5500	JUW	WD

Models Codification

Non Standard Models Codification



Standard Models Codification



Color Selection

Paint Policy

Special stock colors from Ouellet paint supplier: Contact factory for color chart.

Available only for architectural draft barriers Series: OMB, ODB, ODBA, OHB, OCB, ODI and ODIA. \$500.00 net set up charges on purchase order of less than 250 linear feet. Purchase order greater than 250 linear feet no upcharge. Allow 1 to 2 working weeks additional for special purchase special stock colors. Contact our customer service to get more information about our selection of special stock colors.

Custom paint colors to match architects sample:

Available only for architectural draft barriers Series: OMB, ODB, ODBA, OHB, OCB, ODI and ODIA. \$1000.00 net set up on less than 500 linear feet purchase order. Purchase order greater than 500 linear feet no upcharge. Allow 3 working weeks additional for purchase of custom paint color plus any needed approval cycle.

Anodizing Options

Available in several anodized finishes only for architectural draft barriers Series: OMB, ODB, OHB, OCB and ODI. 15% premium for anodizing plus \$300.00 net set up fee.

Plating Options


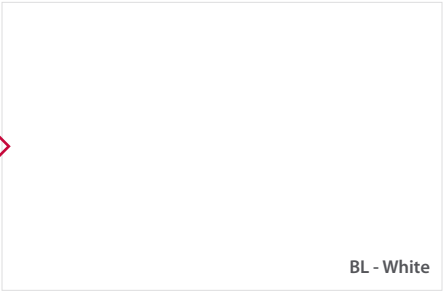
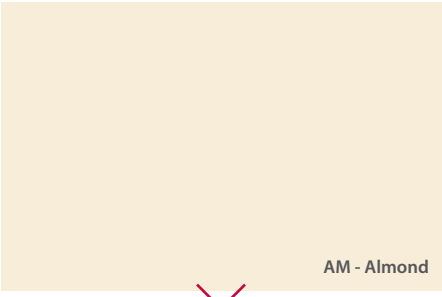




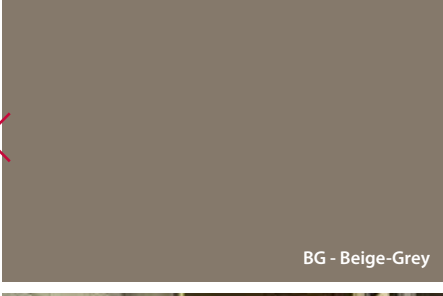
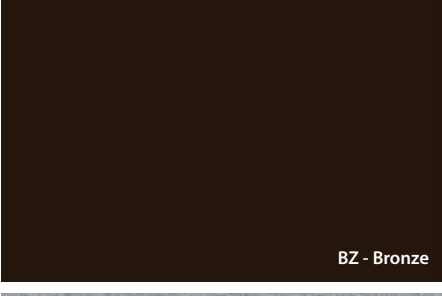
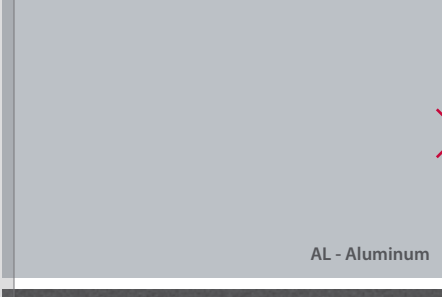



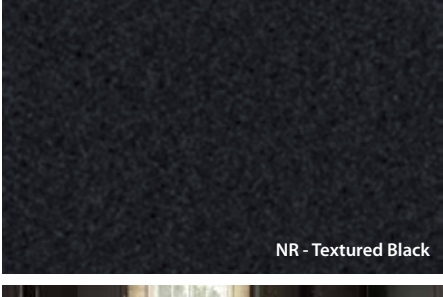




Available based on Ouellet Expression Color Option/Finish Chart only for architectural draft barriers Series: ODBA and ODIA. 15% premium for plating plus \$500.00 net set up fee.

Touch-Up Paint

Product # ¹	Description
PEINT	Brush paint, 1/2 ounce (15 ml)

¹ Standard colors are white and almond. Add "BL" for white and "AM" for almond.

Color Chart

Standard colors ¹			
			
Optional colors (Factory stock color paint) ²			
			
			
			

¹ Refer to product Series for listings of standard colors available.

² Minimum order of 25 pieces. If less than 25 pieces upcharge of \$50.00 net; Special note add 10% premium to price on all RBH heaters and accessories if painted other than white or almond.

Note: Due to the printing process, the colors may vary from the actual colors.

Contacts

Inside Sales Representatives

Marjolaine Guinard	Ext.: 341	marjolaine.guinard@ouellet.com
Mélissa Couture	Ext.: 284	melissa.couture@ouellet.com
Alexandra Dupont	Ext.: 316	alexandra.dupont@ouellet.com
Marie-Eve Ouellet	Ext.: 347	marie-eve.ouellet@ouellet.com

Technical Support

	1 800 463-7043	info@ouellet.com
--	----------------	------------------

Additional References

President - COO Martin Beaulieu	Ext.: 256	martin.beaulieu@ouellet.com
Director Sales & Marketing, US Operations Keith A. Brauss	(910) 987-3382	keith.brauss@ouellet.com
Customer Service Manager Paule Jacques	Ext.: 222	paule.jacques@ouellet.com
Director of Business Development Colin Pinner	224-343-5645	colin.pinner@ouellet.com

Warranty

All products covered by the list price sheet are warranted against defects in workmanship and materials for one (1) year from date of the sale. If a purchase receipt is not available then the period will be no greater than 18 months from date of manufacture. This warranty does not apply to damage caused for any reason to include accidents during installation, 3rd party transportation, alterations or impro per installation not in accordance with the instruction sheet. Ouellet will at its option replace or credit the defective products. Ouellet is not responsible for cost incurred in the removal or reinstallation.

Extended Warranty - Subject to the aforementioned conditions

OWS & OAD Series: 10-year warranty.

OAM & OTH607 Series: 2-year warranty.

ODS & ORC Series: The heating element is guaranteed for a 10-year period.

OHV, OAF & XAP Series: 5-year warranty.

OHX, UFO-R & UFO-E Series: 3-year warranty.

OTH2750, OTH2750P, OTH4000, OTH4000P, OTH5007, OTH5007P TH140, THRF-K & THRF-M Series: 3-year warranty.

OTM & OTR Series: 25-year warranty on the heating cable.

OVB-HL Series: 4-year warranty.

OVB-SP, OVB-FC, OVB-CM, OVB-QS & OVB-LN Series: 6-year warranty.

OVE, OHY & OVN Series: The heating element is guaranteed for a 5-year period. Components are guaranteed for a 2-year period.

OWC-M & OWC-R Series: 20-year warranty on the heating cable.

RBH & ODL Series: The heating element has a lifetime warranty for the initial end user.

Returns

A request for returns must be sent in writing to Customer Support. A restocking charge up to 25% on stock items may be required. All returns must be return prepaid to the designated service depot. Special made-to-order items will not be allowed for return or could be subject to a 75% refurbishing charge.

Warranty and specifications may change without prior notice.

Distributed by:

For more details, visit our website: www.ouellet.com



180, 3^e Avenue, L'Islet (Québec)
G0R 2C0 CANADA
Phone: 1 800 463-7043 • 418 247-3947
Fax: 1 800 662-7801 • 418 247-7801
info@ouellet.com • www.ouellet.com

