



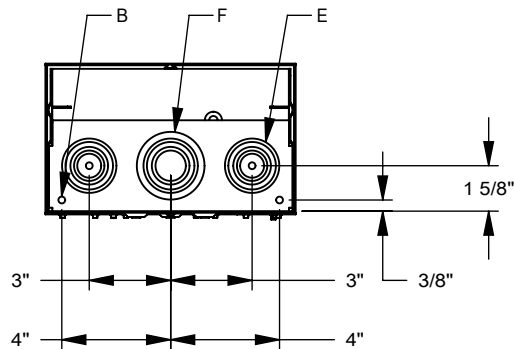
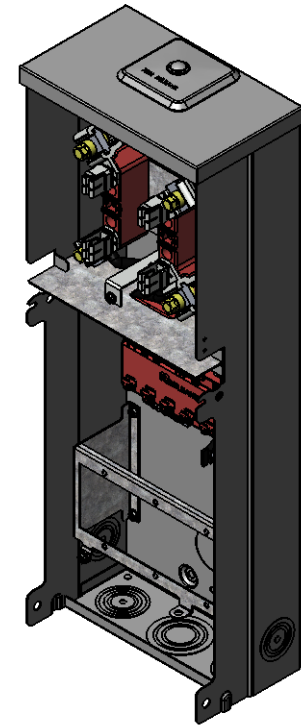
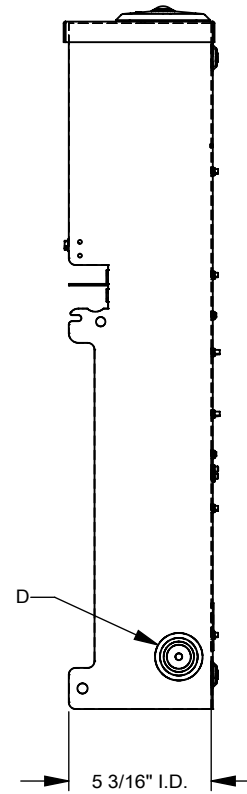
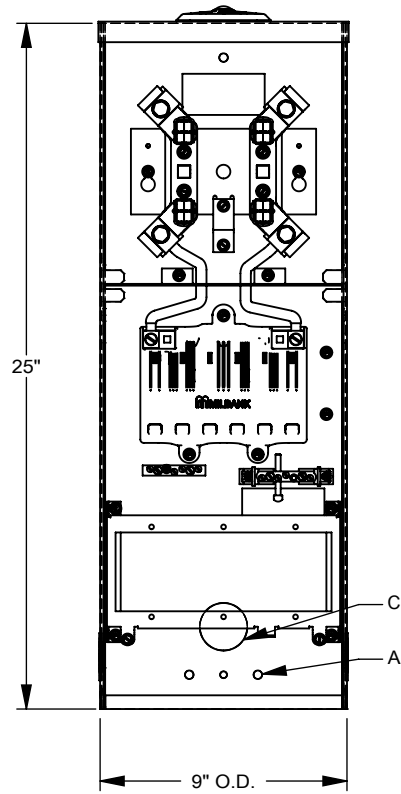
Catalog Number: U5100-XL-75
Item Description: 125A RT MTR P/O
UPC Code: 784572258846

Brand Name: Milbank
Type: Ring Type Metered Power Supply Unit
Special Features: 4 Terminal, Small Closing Plate, Ground Bar, No Bypass, Single Power Head, 6 Branch Circuits
Application: RV Power
Standard: UL Listed
Voltage Rating: Up to 240 Volts Alternating Current
Amperage Rating: 125 Ampere Continuous
Wattage: Not Applicable
Frequency Rating: 60 Hertz
Phase: 1 Phase
Number of Receptacles: 3
Receptacle Configuration: NEMA 14-50, NEMA TT30, NEMA 5-20 Ground Fault Receptacle
Control: Single Pole 20 Ampere Breaker, Single Pole 30 Ampere Breaker, Double Pole 50 Ampere Breaker, No Main Breaker
Material: G90 Galvanized Steel with Powder Coat Finish
Mounting: Surface Mount
Cable Size: 6 AWG to 250 KCMIL
Enclosure: Type 3R



Utility requirements may vary. Always consult the serving utility for their requirements prior to ordering or installing this equipment. This product must always be installed by a licensed electrician. Installation of this equipment may require local electrical inspector approval.

FEATURE TABLE		
ITEM	QTY	DESCRIPTION
A	3	U/L MNTG.EMBOSS
B	2	¼ SOLID K.O.
C	1	1¼ SOLID K.O.
D	2	½, ¾, 1, 1¼ CONC. K.O.
E	2	½, ¾, 1, 1¼, 1½ CONC. K.O.
F	1	¾, 1, 1¼, 1½, 2 CONC. K.O.



Version:

1

All dimensions are +/- 1/16".
Drawing views are not to scale.

Utility requirements for this equipment may vary. Always consult the serving utility for their requirements prior to ordering or installing this equipment. This product must be installed by a licensed electrician. Installation of this equipment may require local electrical inspector approval.