



Catalog Number: M400-APS-BS  
Item Description: 320A 4T RT OH LOAD CENTER  
UPC Code: 784572325234

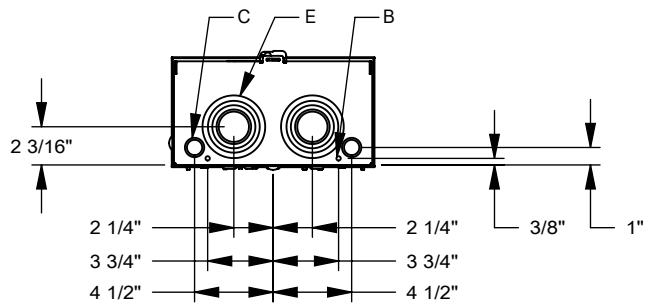
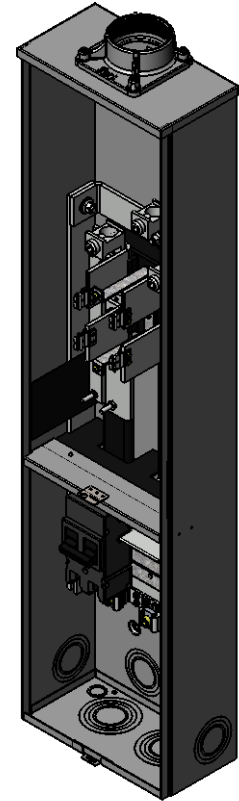
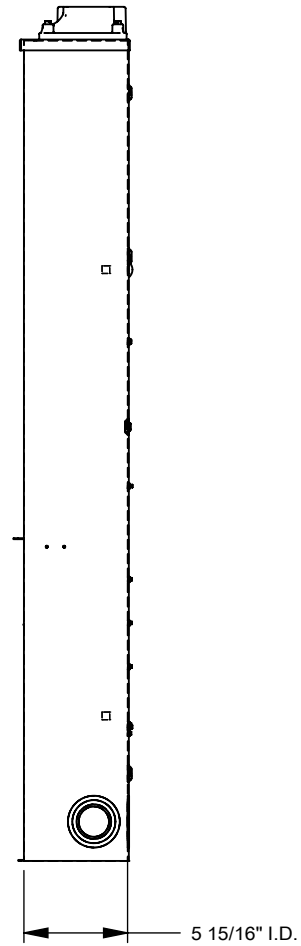
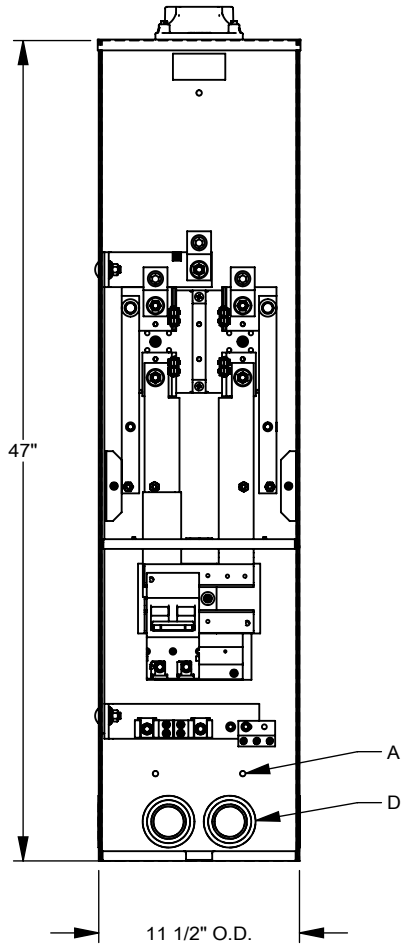
Brand Name: Milbank  
Type: Ring Type Meter Socket  
Application: Meter Socket With Main  
Standard: UL Listed  
Voltage Rating: Up to 240 Volts Alternating Current  
Amperage Rating: 320 Continuous Ampere  
Phase: 1 Phase  
Frequency Rating: 60 Hertz  
Number Of Cutouts: 1  
Cutout Size: 200 Ampere Main Breaker  
Cable Entry: Overhead  
Terminal: Single Mechanical Line Side and Single Mechanical Load Side  
Mounting: Surface Mount  
Enclosure: Type 3R, G90 Galvanized Steel with Powder Coat Finish

Additional Specifications: AIC or SCCR Rating: Please Contact Factory



*Utility requirements may vary. Always consult the serving utility for their requirements prior to ordering or installing this equipment. This product must always be installed by a licensed electrician. Installation of this equipment may require local electrical inspector approval.*

FEATURE TABLE		
ITEM	QTY	DESCRIPTION
A	3	STD. MNTG. EMBOSS
B	2	¼ SOLID K.O.
C	2	½, ¾ CONC. K.O.
D	4	1¼, 1½, 2, 2½ CONC. K.O.
E	2	1, 1¼, 1½, 2, 2½, 3 CONC. K.O.



Version:

1

All dimensions are +/- 1/16".  
Drawing views are not to scale.

Utility requirements for this equipment may vary. Always consult the serving utility for their requirements prior to ordering or installing this equipment. This product must be installed by a licensed electrician. Installation of this equipment may require local electrical inspector approval.