



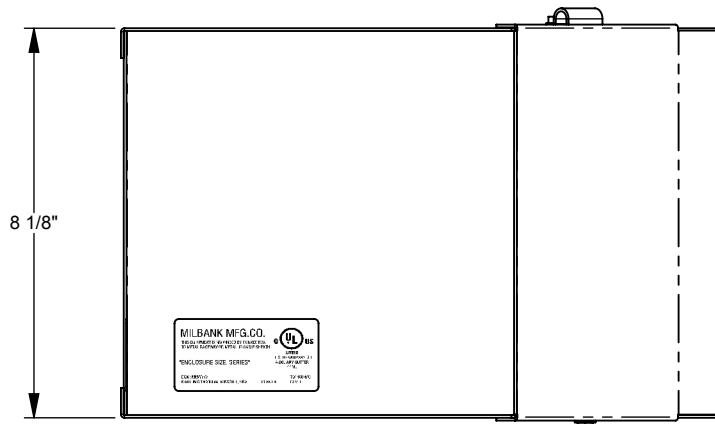
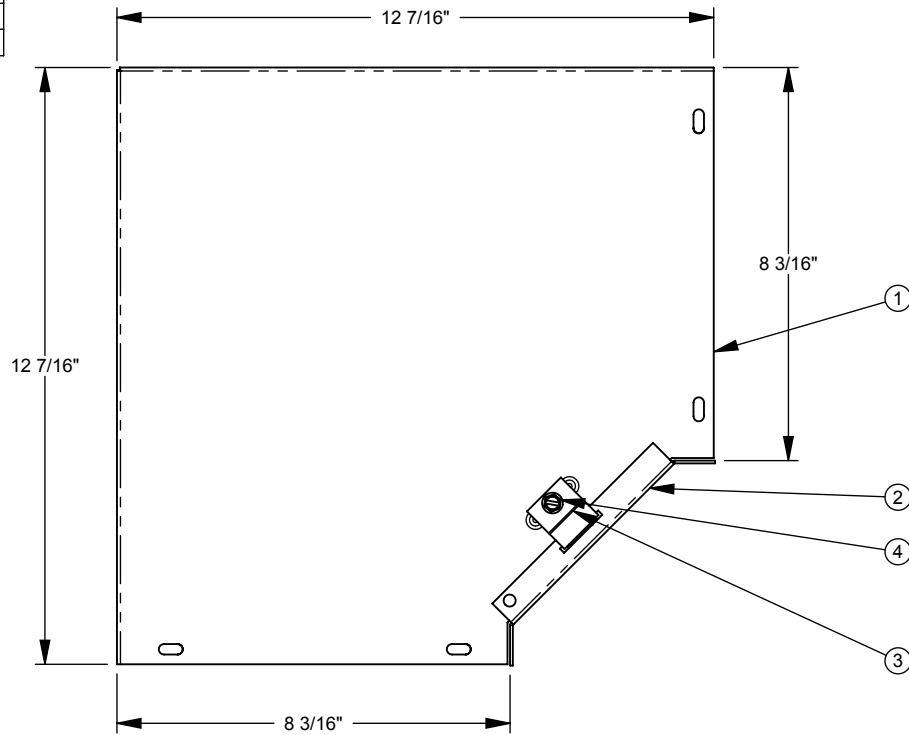
Catalog Number: 88GFL90IS
Item Description: WIREWAY ACCESSORY
UPC Code: 784572109834

Brand Name: Milbank
Type: Wireway 90 Degree Inside Opening Elbow
Application: Wireway Accessory
Standard: UL Listed, Type 1
Cover Type: Hinge Cover
Enclosure: Indoor Enclosure
Nominal Cross Section: 8x8
Material: Steel with Powder Coat Finish
Finish: ANSI 61 Gray
Knockouts: False

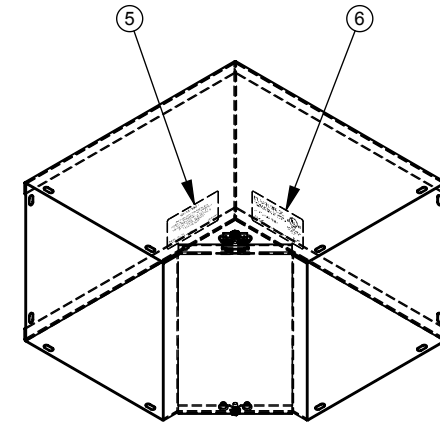


Utility requirements may vary. Always consult the serving utility for their requirements prior to ordering or installing this equipment. This product must always be installed by a licensed electrician. Installation of this equipment may require local electrical inspector approval.

PREFIX	LABEL NO.
NONE	1002943
RC-	1125051



ITEM	QTY.	PART NUMBER	DESCRIPTION
1	1	(SEE CHART)	ELBOW WELDMENT
2	1	(SEE CHART)	COVER
3	1	1003198	HINGE
4	2	1001290	SCREW, 10-32 X 5/16
5	1	1002913	LABEL, RATING
6	1	(SEE CHART)	UL LABEL, WIREWAY
7	0.5	1002968	CARTON 2-PER (NOT SHOWN)




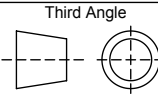
NOTES:

- 1.) APPLY LABELS TO INSIDE OF ELBOW.

SUFFIX	FINISH	WELDMENT NO.	COVER NO.
NONE	MILBANK LIGHT GRAY	1163078	1123287
-NP	NONE	1163079	1163077

NEMA DWG.: #547

REV.	DATE	DESCRIPTION	BY
A2	1/31/13	REDRAW INTO SOLIDWORKS (ECO #23487)	D.F.

Material:	16 GA. GALV. STEEL		 <p>General Offices: Kansas City, MO</p>
Shear/ Die#:			
Finish:	SEE CHART		Title:
Part Wt.:			90° ELBOW TYPE 1 HINGE COVER WIREWAY
Tolerances:			Catalog No.:
Unless Specified Otherwise X.X ±.1 X.XX ±.03 X.XXX ±.015 X" ±2"			Customer:
Scale:	NTS	Checked By:	Drawing No.:
Drawn By:	D.F.	Approved By:	1004810
Date:	1/31/13	Sheet	1 of 1