

Power Outlets - Surface



<p>(2) 5-20R2</p>	<p>6-50R</p>	<p>6-50R 5-20R2</p>	<p>6-50R 5-20R2</p>	<p>14-60R</p>	<p>14-50R 5-20R2</p>
A U361G	B U501	C U511C	D U511G	E U546	F U550F

<p>(2) R32U (2) BR32U</p>	<p>10-30R (2) 5-20R2GFCI</p>	<p>L6-30R (2) L5-20R</p>	<p>14-50R R32U</p>	<p>14-50R</p>
G U614C U614CB6	H U666C010	U870G	J M058C R058C	K M354C

Temp Power /
Power Outlets

Surface - Unmetered

FIG.	UL	MODEL NUMBER	RECEPTACLES	CIRCUIT PROTECTION	AMP	VOLTS	WIRE RANGE*	CABINET SIZE	HUB OPENING	LOAD & NEUTRAL BAR	UNIT WT.	STD. PKG.
A	Y	U361G	(2) 5 20R2	GF 120	70	120/240	K	6 X 14	Y	LC33N7	9	4
B	Y	U501	6 50R		50	240	P	5 X 7	Y		5	4
C	Y	U511C	6 50R 5 20R2	CB250 CB120	70	120/240	K	6 X 14	Y	LC33N7	10	4
D	Y	U511G	6 50R 5 20R2	CB250 GF 120	70	120/240	K	6 X 14	Y	LC33N7	10	4
E	N	U546	14 60R		60	120/240	G	6 X 9	Y		5	4
F	Y	U550F	14 50R 5 20R2	F 2	50	120/240	M	6 X 14	Y		6	4
G	Y	U614C ¹ &	(2) R32U (2) BR32U	(4) CB130 SPACE CB120	100	120/240	V	14 X 21	Y	LC55N1	30	1
H	Y	U666C010	10 30R (2) 5 20R2GFCI	CB230 (2) CB120 SPACE CB120	70	120/240	U	9 X 17	Y	LC55N1	16	1
I	Y	U870G	L6 30R (2) L5 20R	CB230 (2) GF 120 SPACE CB120	100	120/240	Q	9 X 17	Y	LC55N1	16	1

Surface - Metered

FIG.	UL	MODEL NUMBER	RECEPTACLES	CIRCUIT PROTECTION	AMP	VOLTS	WIRE RANGE*	CABINET SIZE	HUB OPENING	LOAD & NEUTRAL BAR	UNIT WT.	STD. PKG.
J	Y	R058C ¹ +	14 50R R32U	CB250 CB130	80	120/240	AD	9 X 30	Y	LC33N1	25	1
K	Y	M354C	14 50R	CB250 SPACE (3) CB120	100	120/240	AD	9 X 30	Y	LC55N1	25	1

¹ Model Number is also suitable for use as Temporary Site Service Equipment when installed in accordance with the N.E.C.

& Available as Back-to-Back Earth Burial Pedestal, Model Number U614CB6

+ Also Available in Ring Type Meter Socket - Order M058C

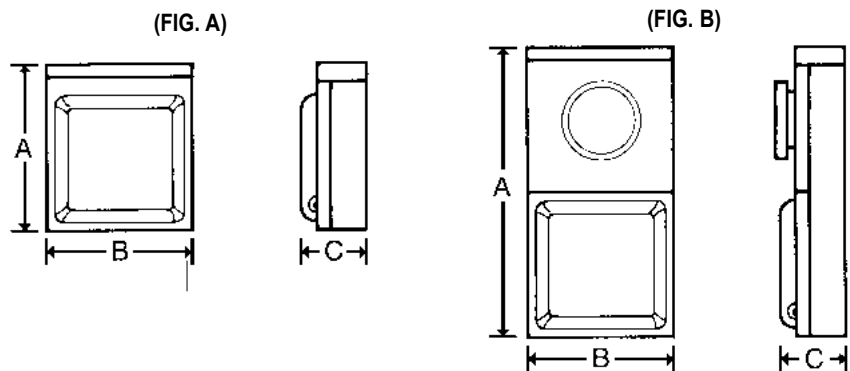
* Wire Range Table on pages 54-55

Technical Data

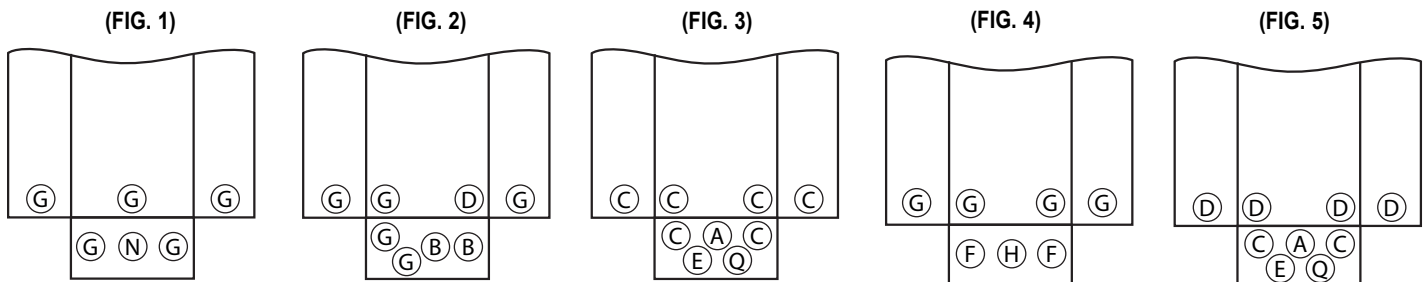
MODEL NUMBER	REPLACEMENT PARTS		CABINET SIZE	ENCLOSURE STYLE page 65	CABINET DIMENSIONS			KNOCKOUT FIGURE page 65
	METER SOCKET	POST LUGS			HEIGHT	WIDTH	DEPTH	
					A	B	C	
U061CB6		LT100B250	6PT		See page 66			
U061CP6		LT100S250	6PT		See page 66			
U061CTL			9 X 17	A	17 3/8"	9 3/4"	5 3/16"	2
U070C			9 X 17	A	17 3/8"	9 3/4"	5 3/16"	2
U075C			9 X 17	A	17 3/8"	9 3/4"	5 3/16"	2
U132CB6		LT100B250	6PT		See page 66			
U132CP6		LT100S250	6PT		See page 66			
U132CTL			9 X 17	A	17 3/8"	9 1/4"	5 3/16"	2
U154F			14 X 21	A	21 3/8"	14 1/4"	6 7/16"	3
U239G			14 X 21	A	21 3/8"	14 1/4"	6 7/16"	3
U361G			6 X 14	A	14 3/8"	7 1/4"	5 3/16"	1
U501			5 X 7	A	7 1/8"	5 3/4"	5 3/16"	4
U511C			6 X 14	A	14 3/8"	7 1/4"	5 3/16"	1
U511G			6 X 14	A	14 3/8"	7 1/4"	5 3/16"	1
U546			6 X 9	A	9 1/8"	7 1/4"	5 3/16"	1
U550F			6 X 14	A	14 3/8"	7 1/4"	5 3/16"	1
U614C			14 X 21	A	21 3/8"	14 3/4"	6 7/16"	3
U666C010			9 X 17	A	17 3/8"	9 3/4"	5 3/16"	2
U870G			9 X 17	A	17 3/8"	9 3/4"	5 3/16"	2
T1010GRP/T2010GRP			5 X 7	A	7 1/8"	5 3/4"	5 3/16"	4
T3010GRP/ T4010GRP			5 X 7	A	7 1/8"	5 3/4"	5 3/16"	4
T5010GRP			5 X 7	A	7 1/8"	5 3/4"	5 3/16"	4

Temp Power / Power Outlets

Enclosure Style & Cabinet Dimensions



Knockout Configurations



A= 1-1/2", 2", 2-1/2"
B= 1", 1-1/4", 1-1/2"

C= 1-1/4", 1-1/2", 2"
D= 3/4", 1", 1-1/4"

E= 3/4"
F= 1/2", 3/4"

G= 1/2", 3/4", 1"
H= 1/2", 3/4", 1", 1-1/4"

N= 1/2", 3/4", 1", 1-1/4", 1-1/2"
Q= 1"