

Unmetered

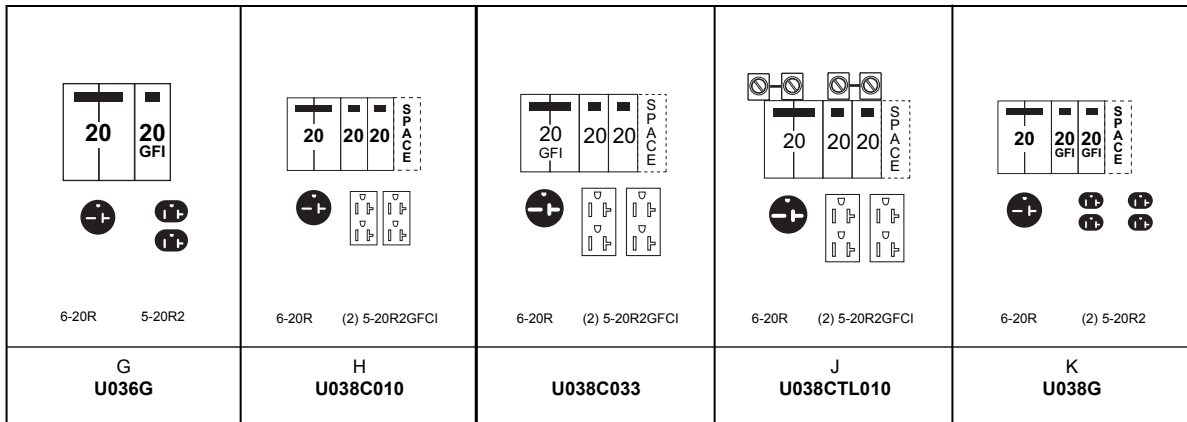
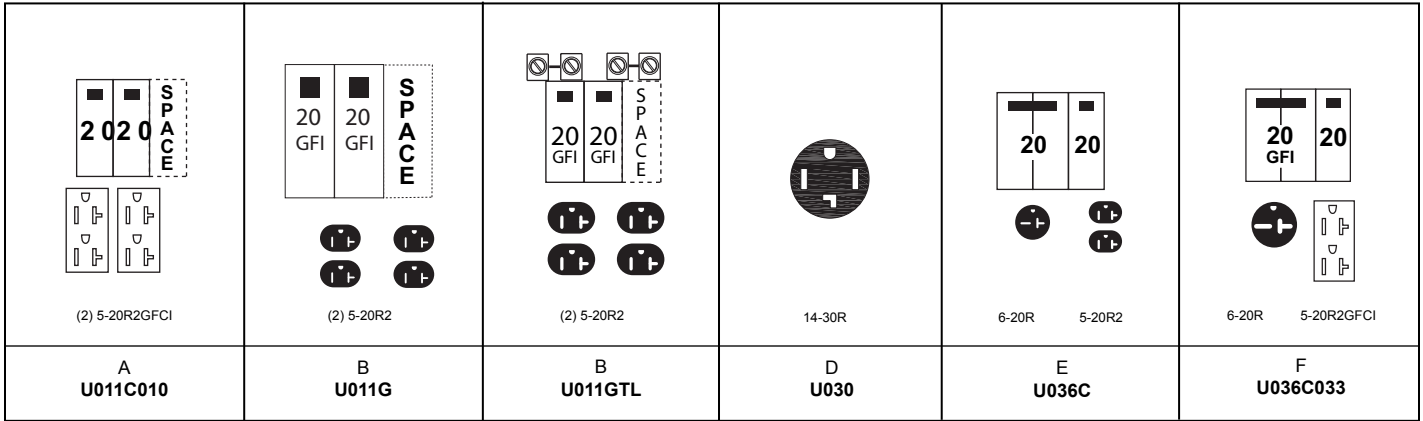
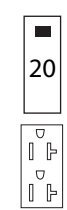

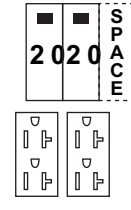
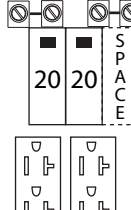
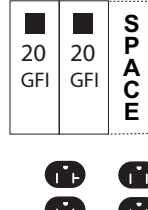
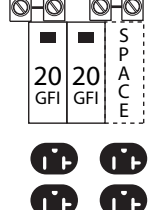
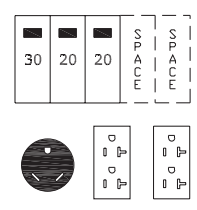
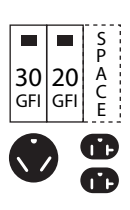
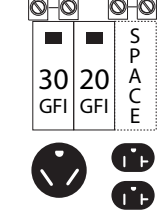
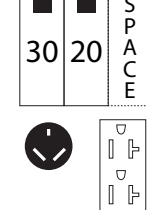
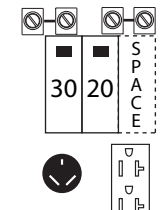
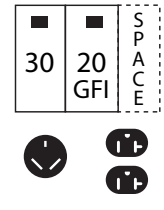


FIG.	UL	MODEL NUMBER	RECEPTACLES	CIRCUIT PROTECTION	AMP	VOLTS	WIRE RANGE*	CABINET SIZE	HUB OPENING	LOAD & NEUTRAL BAR	UNIT WT.	STD. PKG.
A	Y	U011C010	(2) 5 20R2GFC	(2) CB120 SPACE CB120	70	120/240	K	6 X 14	Y	LC33N7	10	4
B	Y	U011G	(2) 5 20R2	(2) GF 120 SPACE CB120	70	120/240	K	6 X 14	Y	LC33N7	10	4
C	Y	U011GTL	(2) 5 20R2	(2) GF 120 SPACE CB120	100	120/240	U	9 X 17	Y	LC33N1T	14.5	4
D	Y	U030	14 30R		30	120/240	G	5 X 7	Y		4.5	1
E	Y	U036C010	6 20R 5 20R2GFC	CB220 CB120	40	120 /240	K	6 X 14	Y	LC33N7	10	4
F	Y	U036C033	6 20R 5 20R2GFC	GF 230 CB120	40	120/240	K	6 X 14	Y	LC33N7	10	4
G	Y	U036G	6 20R 5 20R2	CB220 GF 120	40	120/240	K	6 X 14	Y	LC33N7	10	4
H	Y	U038C010	6 20R (2) 5 20R2GFC	CB220 (2) CB120	100	120/240	AA	9 X 17	Y	LC55N1	15	1
I	Y	U038C033	6 20R (2) 5 20R2GFC	GF 220 (2) CB120 SPACE CB120	100	120/240	AA	9 X 17	Y	LC55N1	15	1
J	Y	U038CTL010 %	6 20R (2) 5 20R2GFC	CB220 (2) CB120 SPACE CB120	100	120/240	AA	9 X 17	Y	LC55N1T	16	1
K	Y	U038G	6 20R (2) 5 20R2	CB220 (2) GF 120 SPACE CB120	100	120/240	U	9 X 17	Y	LC55N1	15	1

% Also available with GFI dual-pole breaker in place of GFI Receptacle replace "010" with "033"

* Wire Range Table on page 54

 <p>5-20R2GFCI</p>	 <p>5-20R2</p>	 <p>(2) 5-20R2GFCI</p>	 <p>(2) 5-20R2GFCI</p>	 <p>(2) 5-20R2</p>	 <p>(2) 5-20R2</p>
A U010C010	B U010G	C U011C010	D U011CTL010	E U011G	F U011GTL

 <p>R32U (2) 5-20R2GFCI</p>	 <p>R32U 5-20R2</p>	 <p>BR32U 5-20R2</p>	 <p>R32U 5-20R2GFCI</p>	 <p>BR32U 5-20R2GFCI</p>	 <p>R32U 5-20R2</p>
G U031C010	H U040G	I U040GTL	J U041C010	K U041CTL010	L U041G

RV Products

FIG.	UL	LUG TYPE	MODEL NUMBER	RECEPTACLES	CIRCUIT PROTECTION	AMP	VOLTS	WIRE RANGE*	CABINET SIZE	HUB OPENING	LOAD & NEUTRAL BAR	UNIT WT.	STD. PKG.
A	Y	STANDARD	U010C010	5 20R2GFC	CB120	20	120	B	6 X 9	Y		7	4
B	Y	STANDARD	U010G	5 20R2	GF 120	20	120	B	6 X 9	Y		7	4
C	Y	STANDARD	U011C010	(2) 5 20R2GFC	(2) CB120 SPACE CB120	70	120/240	P	6 X 14	Y	LC33N7	10	4
D	Y	LOOP FEED	U011CTL010	(2) 5 20R2GFC	(2) CB120 SPACE CB120	100	120/140	W	9 X 17	Y	LC33N1T	14	1
E	Y	STANDARD	U011G	(2) 5 20R2	(2) GF 120 SPACE CB120	70	120/240	P	6 X 14	Y	LC33N7	10	4
F	Y	LOOP FEED	U011GTL	(2) 5 20R2	(2) GF 120 SPACE CB120	100	120/240	W	9 X 17	Y	LC33N1T	14	1
G	Y	STANDARD	U031C010	R32U (2) 5 20R2GFC	CB130 (2) CB120 SPACE (2) CB120	100	120/240	AA	9 X 17	Y	LC55N1	16	1
H	Y	STANDARD	U040G	R32U 5 20R2	GF 130 GF 120 SPACE CB120	70	120/240	P	6 X 14	Y	LC33N7	10	4
I	Y	LOOP FEED	U040GTL	BR32U 5 20R2	GF 130 GF 120 SPACE CB120	100	120/240	W	9 X 17	Y	LC33N1T	14	1
J	Y	STANDARD	U041C010	R32U 5 20R2GFC	CB130 CB120 SPACE CB120	70	120/240	P	6 x 14	Y	LC33N7	10	4
K	Y	LOOP FEED	U041CTL010	BR32U 5 20R2GFC	CB130 CB120 SPACE CB120	100	120/240	W	9 x 17	Y	LC33N1T	14	1
L	Y	STANDARD	U041G	R32U 5 20R2	CB130 GF 120 SPACE CB120	70	120/240	P	6 x 14	Y	LC33N7	10	4

* Wire Range Table on page 92