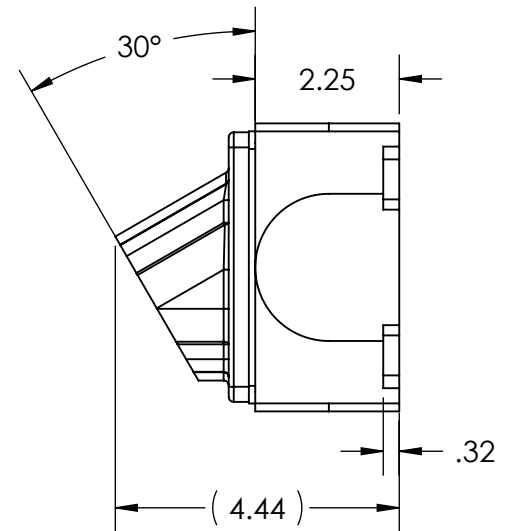
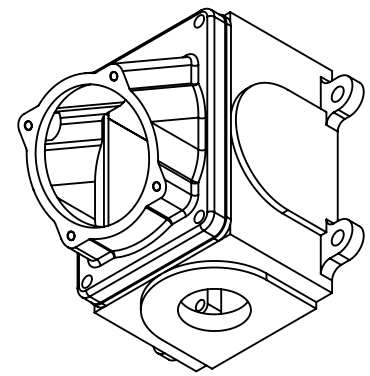
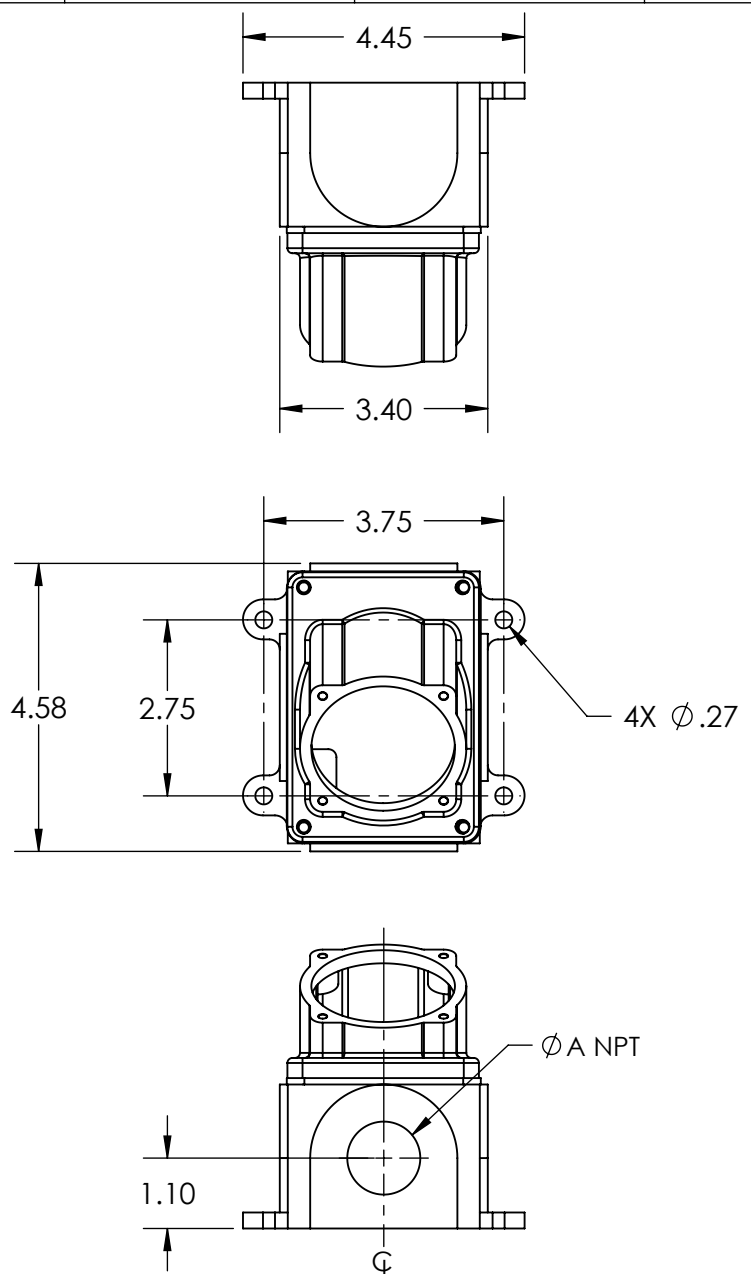


This drawing is the property of MELTRIC Corporation, Franklin (Milwaukee) Wisconsin, USA. Any unauthorized copying of this drawing by any means, ENG/RD/06 REV: 20 ISSUED DATE: 1/15/11 or disclosure of its contents to any person not authorized by MELTRIC Corporation or its agents to receive it, is strictly prohibited.



NPT "A"	PART #
1/2" NPT	61-3A053-080-12
3/4" NPT	61-3A053-080-34
1" NPT	61-3A053-080-1
1 1/4" NPT	61-3A053-080-114

TOLERANCES UNLESS OTHERWISE SPECIFIED

MACHINED SURFACES  $\sqrt[125]{\text{MAX}}$

GROUND SURFACES  $\sqrt[32]{\text{MAX}}$

ANGLE TOLERANCE  $\pm 1^\circ$

REMOVE BURRS & SHARP EDGES TO .015 MAX.

DIMENSIONS SHOWN IN OVALS ARE INSPECTION DIMENSIONS.

**ENGLISH**

0.X  $\pm 0.05$

0.XX  $\pm 0.01$

0.XXX  $\pm 0.005$

**MELTRIC CORPORATION**

DRAWN	APPROVED	DRAWING TITLE:	
DATE:		SCALE	MATERIAL:
SHEET:		PART NUMBER	
1 OF 1		REVISION	

**METAL BOX/POLY ANGLE COMBO**

PAINTED METAL AND BLUE POLY

61-3A053-080-xxx