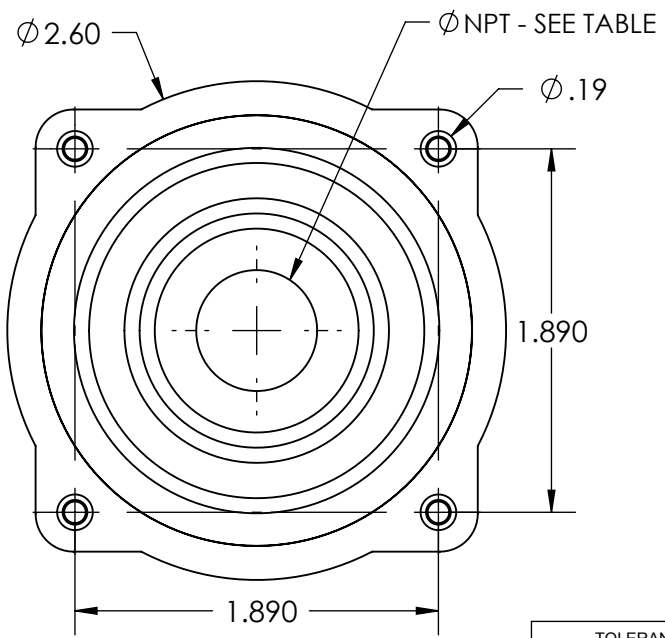
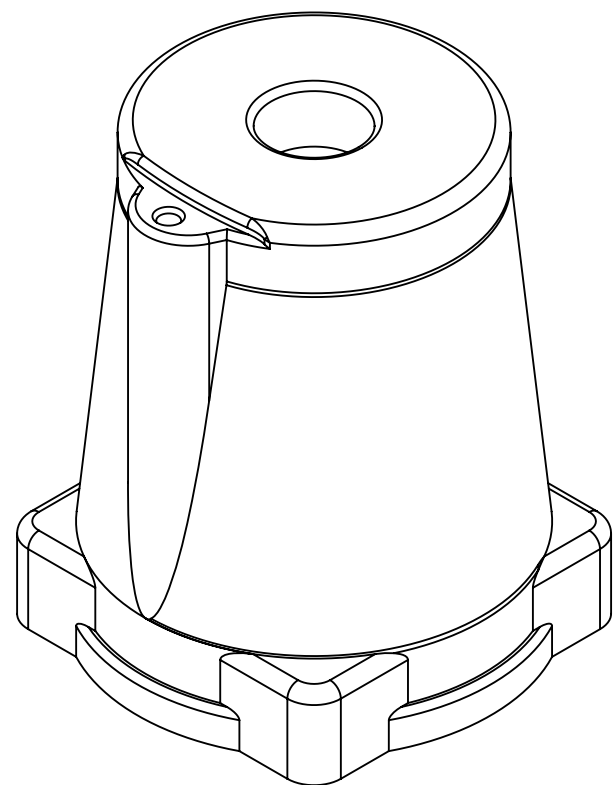
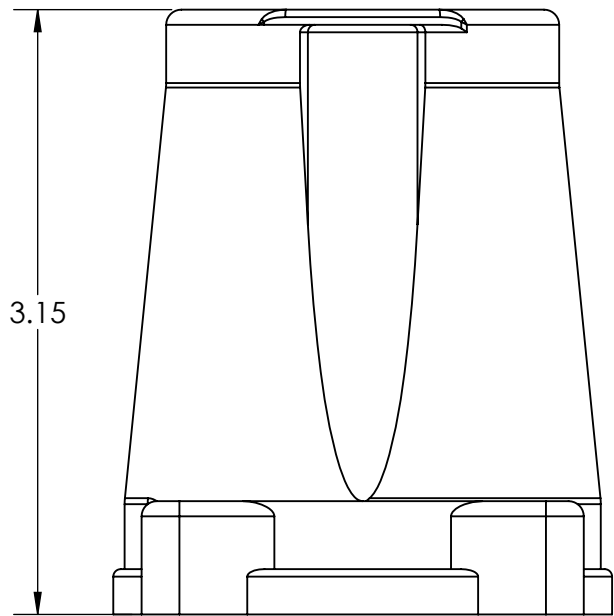


This drawing is the property of MELTRIC Corporation, Franklin, Wisconsin, USA. Any unauthorized copying of this drawing by any means, or disclosure of its contents to any person not authorized by MELTRIC Corporation or its agents to receive it, is strictly prohibited.



DSN PART NUMBER	THREAD SIZE
61-3A013-12	1/2" NPT
61-3A013-34	3/4" NPT
61-3A013-1	1" NPT
61-3A013-114	1 1/4" NPT

REV.	DATE	CHANGED BY	REMARKS	ECN#

TOLERANCES UNLESS OTHERWISE SPECIFIED

MACHINED SURFACES $\sqrt[125]{\text{MAX}}$

GROUND SURFACES $\sqrt[32]{\text{MAX}}$

ANGLE TOLERANCE $\pm 1^\circ$

REMOVE BURRS & SHARP EDGES TO .015 MAX.

ENGLISH

0.X ± 0.05

0.XX ± 0.01

0.XXX ± 0.005

DIMENSIONS SHOWN IN OVALS ARE INSPECTION DIMENSIONS.

MELTRIC CORPORATION

DRAWN	APPROVED	DRAWING TITLE:	
		30 A THEADED HANDLE	
DATE:	SCALE	MATERIAL:	
	NTS	BLUE POLYAMIDE	
PROJECT NUMBER	PART NUMBER		SHEET:
	61-3A013-XX		1 OF 1