

# COUNTERMAX<sup>®</sup> STARSTRAND<sup>®</sup>

C o u n t e r , A c c e n t & T a s k L i g h t i n g S o l u t i o n s



**MAXIM**<sup>®</sup>  
L I G H T I N G





Maxim Lighting's CounterMax<sup>®</sup> full line of under cabinet lighting fixtures and StarStrand<sup>®</sup> LED Tape Lighting Systems cast the perfect light throughout the home. In kitchens, granite countertops sparkle under the direct beam and food preparation becomes safer and more enjoyable. In bathrooms and studies, they brighten the room with a warm indirect glow. They even eliminate unwanted shadows in wet bars, curio cabinets, and bookcases with sleek profiles that conceal so discreetly you will never see the source of the gentle light.

## COUNTERMAX<sup>®</sup>

<b>MX-FD Series</b>	<b>10</b>
Direct Wire Fluorescent Under Cabinet Lighting	
<b>MX-L Series</b>	<b>5</b>
LED Under Cabinet Lighting	
<b>MX-L120DC Series</b>	<b>3</b>
LED Under Cabinet Lighting	
<b>MX-LD Series</b>	<b>13</b>
LED Discs	
<b>MX-LD-R Series</b>	<b>11</b>
LED Discs	
<b>MX-L-LPC Series</b>	<b>4</b>
LED Under Cabinet Lighting	
<b>MX-LMC Series</b>	<b>15</b>
LED Mini Channel	
<b>MX-X12 Series</b>	<b>7</b>
12V Xenon Under Cabinet Lighting	
<b>MX-X120 Series</b>	<b>9</b>
120V Xenon Under Cabinet Lighting	
<b>MX-X120c Series</b>	<b>8</b>
Linkable 120V Xenon Under Cabinet Lighting	
<b>MX-X12-LX Series</b>	<b>6</b>
12V Xenon Under Cabinet Lighting	
<b>Series Details</b>	<b>17</b>

## STARSTRAND<sup>®</sup>

<b>Aqua Star 24</b>	<b>29</b>
<b>Basic Star</b>	<b>33</b>
<b>Channel Star 24</b>	<b>35</b>
<b>Color Flex Star 24</b>	<b>25</b>
<b>Elite Star 24</b>	<b>21</b>
<b>Rainbow Aqua Star 24</b>	<b>31</b>
<b>Rainbow Channel Star 24</b>	<b>37</b>
<b>Rainbow Star 24</b>	<b>27</b>
<b>Solar Star 24</b>	<b>23</b>
<b>Ultima Star 24</b>	<b>19</b>
<b>Maximum Run Chart</b>	<b>39</b>
<b>Drivers</b>	<b>40</b>
<b>Controllers</b>	<b>43</b>
<b>Layout Diagrams</b>	<b>45, 47</b>
<b>Installation and Design Guidelines</b>	<b>46, 47</b>
<b>Kits</b>	<b>48</b>
<b>Displays</b>	<b>50</b>

With a sleek profile and direct wiring, this fully dimmable state-of-the-art LED under cabinet light, powered by 3000 K LED manufactured by CREE®, easily installs under the cabinet and emits a crisp white light which illuminates without shadows. The hinged top gives easy access for installation and wiring. Cabinets stay cool and safe with LED light output.



CounterMax® MX-L120DC uses LED made by



### Features:

- Warm white 3000 K light
- Cool to touch
- CRI 85, 120° beam spread
- 50,000 life hours
- Multiple, full size knock outs
- Dimmable using a Lutron® C.L™ dimmer
- Linkable with or without cord using MXInterLink4



### 7" 2-Light LED Under Cabinet

**89912MB** Metallic Bronze  
**89912SN** Satin Nickel  
**89912WT** White  
 7"L x 4"W x 1"H  
 4.88w  
 200 Rated Lumens



### 13" 4-Light LED Under Cabinet

**89913MB** Metallic Bronze  
**89913SN** Satin Nickel  
**89913WT** White  
 13"L x 4"W x 1"H  
 9.76w  
 471 Rated Lumens



### 21" 6-Light LED Under Cabinet

**89914MB** Metallic Bronze  
**89914SN** Satin Nickel  
**89914WT** White  
 21"L x 4"W x 1"H  
 14.93w  
 715 Rated Lumens



Metallic Bronze



Satin Nickel



White



### 30" 8-Light LED Under Cabinet

**89916MB** Metallic Bronze  
**89916SN** Satin Nickel  
**89916WT** White  
 30"L x 4"W x 1"H  
 19.52w  
 964 Rated Lumens



**MXInterLink4 Direct Wire Box**  
**87885WT** White  
**87885BK** Black  
 5"W x 1"H x 2.25"L



**MXInterLink4 Power Cord**  
**87880WT** White  
**87880BK** Black  
 72"



**Plastic Wire Clip**  
**53255**  
 .5"W x .25"H x 1"L



**MXInterLink4 Connector Cord**  
 9" **87876WT** White    24" **87878WT** White  
 9" **87876BK** Black    24" **87878BK** Black  
 18" **87877WT** White  
 18" **87877BK** Black



The CounterMax MX-L-LPC series, a state-of-the-art low profile LED under cabinet light, installs easily under the cabinet and emits a crisp white light which illuminates without shadows. Dimmable using a wall dimmer and cabinets stay cool and safe with LED light output. CounterMax MX-L-LPC series is connectable with or without cords using MXInterLink5 technology, making this series convenient as well as beautiful.

### Features:

- CREE® LED
- Available in three sizes: 12", 18" and 24"
- Available in three colors: White, Bronze and Aluminum
- Built in driver. No external driver required
- 3000 K color temperature
- Linkable with or without cord using MXInterLink5
- Dimmable using a Lutron® C.L™ dimmer
- CRI 85 and 120° beam spread



### OPTIONAL COMPONENTS



**MXInterLink5 Power Cord**  
**89954WT** White  
**89954BK** Black  
 72"  
 Includes on/off switch



**MXInterLink5 Direct Wire Box**  
**89958WT** White  
**89958BK** Black  
 2.75"W x 1"H x 6.5"L



**MXInterLink5 Connector Cord**  
 9" **89951WT** White  
 9" **89951BK** Black  
 18" **89952WT** White  
 18" **89952BK** Black  
 24" **89953WT** White  
 24" **89953BK** Black



**Plastic Wire Clip**  
**53255**  
 .5"W x .25"H x 1"L

### 12" 4-Light LED Under Cabinet

**89941AL** Brushed Aluminum  
**89941BRZ** Anodized Bronze  
**89941WT** White  
 12"L x 3"W x .55"H  
 9.89w  
 461 Rated Lumens

### 18" 6-Light LED Under Cabinet

**89942AL** Brushed Aluminum  
**89942BRZ** Anodized Bronze  
**89942WT** White  
 18"L x 3"W x .55"H  
 14.74w  
 640 Rated Lumens

### 24" 8-Light LED Under Cabinet

**89943AL** Brushed Aluminum  
**89943BRZ** Anodized Bronze  
**89943WT** White  
 24"L x 3"W x .55"H  
 18.97w  
 903 Rated Lumens

Patent Pending

# MX-L SERIES LED Under Cabinet Lighting

# COUNTERMAX®

This state-of-the-art LED light bar raises under cabinet lighting to a whole new level. The crisp white light illuminates without shadows, and its direct wire plug in and easy clip installation make it convenient as well as beautiful.

## Features

- Uses 80% less power than incandescent
- 50,000 life hours
- Cool to touch
- Linkable up to 30 LEDs
- Warm white 3000 K light



87906MB  
Shown in Bronze



87904WT  
Shown in White



87902SA  
Shown in Satin Aluminum

## 10" LED Light Kit

**87902WT** White  
**87902SA** Satin Aluminum  
**87902MB** Bronze  
10"L x 2"W x 1"H  
2 x 1w  
160 Rated Lumens

## 20" LED Light Kit

**87904WT** White  
**87904SA** Satin Aluminum  
**87904MB** Bronze  
20"L x 2"W x 1"H  
4 x 1w  
320 Rated Lumens

## 30" LED Light Kit

**87906WT** White  
**87906SA** Satin Aluminum  
**87906MB** Bronze  
30"L x 2"W x 1"H  
6 x 1w  
480 Rated Lumens

## OPTIONAL COMPONENTS

### MXInterLink2 Power Cord

**87817WT** White  
**87817BK** Black  
72"L



### MXInterLink2 Connector Cord

18" **87819WT** White  
18" **87819BK** Black  
9" **87818WT** White  
9" **87818BK** Black



### MXInterLink2 Direct Wire Box

**87803WT** White  
**87803BK** Black  
4"W x 1"H x 2"L



### MXInterLink2 Coupler

**87820WT** White  
**87820BK** Black  
2"W x .375"H x .5"L



### MXInterLink2 Cord Coupler

**87823WT** White  
**87823BK** Black  
2.125"W x .375"H x .625"L



### Plastic Wire Clip

**53255**  
.5"W x .25"H x 1"L



## Includes

- MX-L LED Under Cabinet Light
- One 18" MXInterLink2 Connector Cord
- One MXInterLink2 Coupler
- One MXInterLink2 Direct Wire Box
- Installation Hardware



Strength, durability and beautiful finish are features that set the CounterMax MX-X12-LX Series apart with its extruded aluminum housing. These xenon under cabinet lights conceal long-lasting, low-voltage Xelogen bulbs that distribute a crisp bright light. Hinged tops allow for convenient bulb replacement, and push-in wire connectors in the junction box make either direct wire or plug-in installation quick and simple.

## Features

- Airflow design keeps cabinets cool
- Hi-Low-Off adjustable light level switch
- Linkable without or with cord using MXInterLink4
- 12V, long lasting Xelogen bulbs included
- Strong and durable extruded aluminum housing
- Captured screws for quick and easy installation



Xelogen



Brushed Aluminum



Anodized Bronze



White



## Starter Kit Includes

- One MXInterLink4 Direct Wire Box
- One MXInterLink4 Connector Cord

### 7" 1-Light 12V Xenon Starter Kit

**87459AL** Brushed Aluminum

**87459BRZ** Anodized Bronze

**87459WT** White

7"L x 5"W x 1"H

1 x 18w Xenon Bulb (Included)

264 Rated Lumens

### 13" 2-Light 12V Xenon Starter Kit

**87461AL** Brushed Aluminum

**87461BRZ** Anodized Bronze

**87461WT** White

13"L x 5"W x 1"H

2 x 18w Xenon Bulbs (Included)

528 Rated Lumens

### 21" 3-Light 12V Xenon Starter Kit

**87462AL** Brushed Aluminum

**87462BRZ** Anodized Bronze

**87462WT** White

21"L x 5"W x 1"H

3 x 18w Xenon Bulbs (Included)

729 Rated Lumens

### 30" 4-Light 12V Xenon Starter Kit

**87463AL** Brushed Aluminum

**87463BRZ** Anodized Bronze

**87463WT** White

30"L x 5"W x 1"H

4 x 18w Xenon Bulbs (Included)

1056 Rated Lumens

## ADD-ONS



### 7" 1-Light 12V Xenon Add-On

**87449AL** Brushed Aluminum

**87449BRZ** Anodized Bronze

**87449WT** White

7"L x 5"W x 1"H

1 x 18w Xenon Bulb (Included)

264 Rated Lumens

### 13" 2-Light 12V Xenon Add-On

**87451AL** Brushed Aluminum

**87451BRZ** Anodized Bronze

**87451WT** White

13"L x 5"W x 1"H

2 x 18w Xenon Bulbs (Included)

528 Rated Lumens

### 30" 4-Light 12V Xenon Add-On

**87453AL** Brushed Aluminum

**87453BRZ** Anodized Bronze

**87453WT** White

30"L x 5"W x 1"H

4 x 18w Xenon Bulbs (Included)

1056 Rated Lumens

### 21" 3-Light 12V Xenon Add-On

**87452AL** Brushed Aluminum

**87452BRZ** Anodized Bronze

**87452WT** White

21"L x 5"W x 1"H

3 x 18w Xenon Bulbs (Included)

729 Rated Lumens

## ACCESSORIES

### MXInterLink4 Connector Cord

24" **87878WT** White

24" **87878BK** Black

18" **87877WT** White

18" **87877BK** Black

9" **87876WT** White

9" **87876BK** Black



### MXInterLink4 Power Cord

**87880WT** White

**87880BK** Black

72"L

### MXInterLink4 Direct Wire Box

**87885WT** White

**87885BK** Black

2.25"L x 5"W x 1"H



### Plastic Wire Clip

**53255**

.5"W x .25"H x 1"L



# MX-X12 SERIES 12V Xenon Under Cabinet Lighting

# COUNTERMAX®

This ultra low-profile design conceals long-lasting, low-voltage Xelogen bulbs that distribute a crisp bright light. Hinged tops allow for convenient bulb replacement, and push-in wire connectors in the junction box make either direct wire or plug-in installation quick and simple.



## Features

- Airflow design keeps cabinets cool
- Hi-Low adjustable light level switch
- Linkable with or without cord using MXInterLink3
- 12V, Xelogen bulbs included



### Starter Kit Includes:

- One MXInterLink3 Direct Wire Box
- One 18" MXInterLink3 Connector Cord

### 7" 1-Light 12V Xenon Starter Kit

**87849WT** White  
**87849MB** Bronze  
 7"L x 5"W x 1.125"H  
 1 x 18w Xenon Bulb (Included)  
 264 Rated Lumens

### 13" 2-Light 12V Xenon Starter Kit

**87851WT** White  
**87851MB** Bronze  
 13"L x 5"W x 1.125"H  
 2 x 18w Xenon Bulb (Included)  
 528 Rated Lumens

### 21" 3-Light 12V Xenon Starter Kit

**87852WT** White  
**87852MB** Bronze  
 21"L x 5"W x 1.125"H  
 3 x 18w Xenon Bulb (Included)  
 792 Rated Lumens

### 30" 4-Light 12V Xenon Starter Kit

**87853WT** White  
**87853MB** Bronze  
 30"L x 5"W x 1.125"H  
 4 x 18w Xenon Bulb (Included)  
 1056 Rated Lumens

## ADD-ONS



Slim 1.125" Profile



We use 10,000 life hour Xelogen Xenon Bulbs

### 7" 1-Light 12V Xenon Add-On

**87859WT** White  
**87859MB** Bronze  
 7"L x 5"W x 1.125"H  
 1 x 18w Xenon Bulb (Included)  
 264 Rated Lumens

### 13" 2-Light 12V Xenon Add-On

**87861WT** White  
**87861MB** Bronze  
 13"L x 5"W x 1.125"H  
 2 x 18w Xenon Bulb (Included)  
 528 Rated Lumens

### 21" 3-Light 12V Xenon Add-On

**87862WT** White  
**87862MB** Bronze  
 21"L x 5"W x 1.125"H  
 3 x 18w Xenon Bulb (Included)  
 792 Rated Lumens

### 30" 4-Light 12V Xenon Add-On

**87863WT** White  
**87863MB** Bronze  
 30"L x 5"W x 1.125"H  
 4 x 18w Xenon Bulb (Included)  
 1056 Rated Lumens

## OPTIONAL COMPONENTS



**MXInterLink3 Power Cord**  
**87860WT** White  
**87860BK** Black  
 72"L



**MXInterLink3 Connector Cord**  
 24" **87858WT** White  
 24" **87858BK** Black  
 18" **87857WT** White  
 18" **87857BK** Black  
 9" **87856WT** White  
 9" **87856BK** Black



**Plastic Wire Clip**  
**53255**  
 .5"W x .25"H x 1"L



# COUNTERMAX<sup>®</sup> MX-X120c SERIES Linkable 120V Xenon Under Cabinet Lighting

With a sleek profile, linkability and direct wiring, this unit installs easily under the cabinet and emits a warm light. The hinged top gives easy access to the long-lasting Xenon bulbs and wiring. Cabinets stay cool and safe due to the unique airflow design that limits heat transfer.

## Features

- Xenon 120V
- Full-size, 1/2" knock outs
- Push-in wire connectors
- Direct wire installation
- Linkable with or without cord using MXInterLink3



Bronze



White

**7" 1-Light 120V Xenon**  
**87840WT** White  
**87840MB** Bronze  
 7"L x 5"W x 1.25"H  
 1 x 20w Xenon Bulb (Included)  
 225 Rated Lumens

**13" 2-Light 120V Xenon**  
**87841WT** White  
**87841MB** Bronze  
 13"L x 5"W x 1.25"H  
 2 x 20w Xenon Bulb (Included)  
 450 Rated Lumens

**21" 3-Light 120V Xenon**  
**87842WT** White  
**87842MB** Bronze  
 21"L x 5"W x 1.25"H  
 3 x 20w Xenon Bulb (Included)  
 675 Rated Lumens

**30" 4-Light 120V Xenon**  
**87843WT** White  
**87843MB** Bronze  
 30"L x 5"W x 1.25"H  
 4 x 20w Xenon Bulb (Included)  
 900 Rated Lumens

**40" 5-Light 120V Xenon**  
**87844WT** White  
**87844MB** Bronze  
 40"L x 5"W x 1.25"H  
 5 x 20w Xenon Bulb (Included)  
 1125 Rated Lumens

With a sleek profile and direct wiring, this unit installs easily under the cabinet and emits a warm light. The hinged top gives easy access to the long-lasting Xenon bulbs and wiring. Cabinets stay cool and safe due to the unique airflow design that limits heat transfer.



**Features**

- Xenon 120V
- Multiple, full-size, 1/2" knock outs
- Push-in wire connectors
- Direct wire installation



Bronze



White



**40" 5-Light 120V Xenon**

**87834WT** White

**87834MB** Bronze

40"L x 5"W x 1.25"H

5 x 20w Xenon Bulb (Included)

1125 Rated Lumens

**7" 1-Light 120V Xenon**

**87830WT** White

**87830MB** Bronze

7"L x 5"W x 1.25"H

1 x 20w Xenon Bulb (Included)

225 Rated Lumens

**13" 2-Light 120V Xenon**

**87831WT** White

**87831MB** Bronze

13"L x 5"W x 1.25"H

2 x 20w Xenon Bulb (Included)

450 Rated Lumens

**21" 3-Light 120V Xenon**

**87832WT** White

**87832MB** Bronze

21"L x 5"W x 1.25"H

3 x 20w Xenon Bulb (Included)

675 Rated Lumens

**30" 4-Light 120V Xenon**

**87833WT** White

**87833MB** Bronze

30"L x 5"W x 1.25"H

4 x 20w Xenon Bulb (Included)

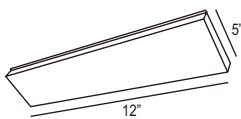
900 Rated Lumens

# COUNTERMAX<sup>®</sup> MX-FD SERIES Direct Wire Fluorescent Under Cabinet Lighting

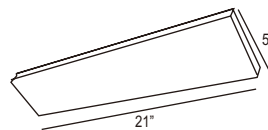
This direct wire collection of fluorescent under cabinet lights boasts T-5 high lumen technology in sizes from 12" to 43" in length. Full size knock outs allow for easy installation in any application.

## Features

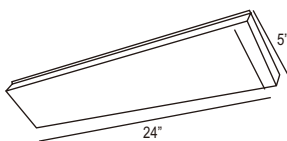
- T-5 high lumen technology
- 3100 K color temperature
- Full size knock outs
- Long life fluorescent lamps



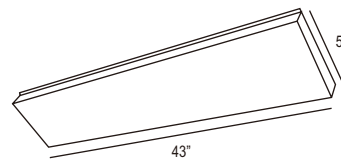
**12" 1-Light Fluorescent**  
**87805WT** White  
12"L x 5"W x 1.25"H  
1 F8 T5 (Included) | 400 Lumens | 7,500 Hours



**21" 1-Light Fluorescent**  
**87806WT** White  
21"L x 5"W x 1.25"H  
1 F13 T5 (Included) | 870 Lumens | 7,500 Hours



**24" 1-Light Fluorescent**  
**87807WT** White  
24"L x 5"W x 1.25"H  
1 F16 T5 (Included) | 1360 Lumens | 7,500 Hours



**43" 1-Light Fluorescent**  
**87809WT** White  
43"L x 5"W x 1.25"H  
1 F26 T5 (Included) | 2700 Lumens | 7,500 Hours

The versatile CounterMax MX-LD-R LED disc features two piece aluminum construction that allows for both surface mounting or recessed installation. Each disc operates at a fraction of the cost of halogen or xenon discs by consuming less than 1 watt of electricity and being cool to the touch. This combination of safety and energy efficiency make the CounterMax MX-LD-R series the smart choice for disc lighting.

### Features:

- Surface or recessed installation
- Available in a White, anodized Aluminum or anodized Bronze finish
- Warm white 3000 K color temperature
- 12V low voltage lighting system
- Two piece aluminum construction
- Frosted diffuser
- Up to six discs can be on a single driver
- Installation hardware included
- White 36" connecting cord for White discs, black 36" connecting cord for Aluminum and Bronze discs



### Starter Kit Includes:

- Three CounterMax MX-LD-R discs
- One 6-outlet distributor with 48" input cord and mounting tabs
- One 110V/220V input, 12V 2A output driver with 72" output cord
- Installation hardware

### Starter Kit

**53853AL** Brushed Aluminum

**53853BRZ** Anodized Bronze

**53853WT** White

Each Disc 2.75"W x .5"H

Each Disc: 1 x .6w LED (Included)

660 Total Rated Lumens



Anodized Bronze



Brushed Aluminum



White



Distributor

3.25"L x 1"W x .5"H

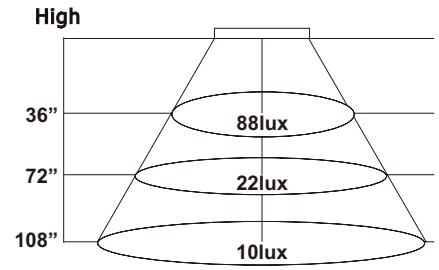
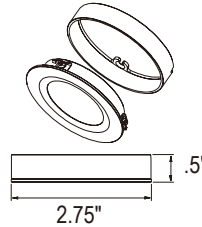


Driver

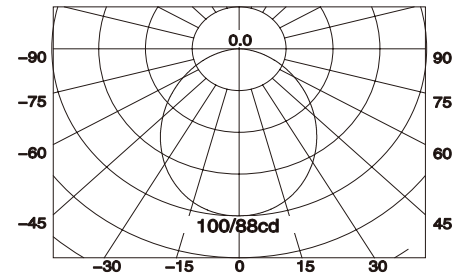
1.2"D x 1.75"W x 3.25"H



3000 K Warm White



Angular Displacement Degree



**Add On Pucks**

- 53850AL** Brushed Aluminum
- 53850BRZ** Anodized Bronze
- 53850WT** White
- 2.75"W x .5"H
- 1 x .6w LED (Included)
- 220 Rated Lumens



Recessed



Surface



**Motion Sensor**

**53812BK** Black  
1"D x 2.25"L x 1.15"W

- Turns CounterMax MX-LD-R system on and off by infrared sensor
- Once the sensor, with a range of 20', detects motion through body heat, it will turn the system on
- After 15 minutes of no motion detected, the sensor will turn the system off.
- Installed between driver and distributor
- Includes one 6" input cord and two 24" output cords



**Touch Dimmer**

**53811WT** White  
**53811BK** Black  
3"L x 1.2"W x .6"H

- Dims CounterMax MX-LD-R system and turns the system on or off
- A tap turns the system on or off, a continuous hold for full range dimming.
- Installed between driver and distributor
- Includes one 10" input cord and one 45" output cord



**Extension Cords**

Used to extend distance between distributor and LED disc.  
A maximum of 84" can be used between distributor and an LED disc.

- 24" **53807WT** White
- 24" **53807BK** Black
- 48" **53809WT** White
- 48" **53809BK** Black



**Plastic Wire Clip**  
**53255**

.5"W x .25"H x 1"L

Maxim LED discs mount easily under any cabinet and can link up to 30 discs without additional hardware. The energy efficient LED disc uses only 1.7 watts, requires no additional driver, and stays cool to the touch making it safer than both halogen and xenon. The warm white color lasts long and compliments any room.



## Features

- Easy to install
- 3.125" diameter x .875 height
- 1.7 watts per disc
- Cool to the touch polycarbonate housing
- 3500 K color temperature
- Requires no additional driver
- Expand up to 30 discs



### Kit Includes:

- > Three MX-LD LED Discs
- > On/Off Switch
- > Installation Hardware
- > One 72" MXInterLink2 Power Cord
- > Two 18" MXInterLink2 Cords

**3-Light Disc Kit**  
**87883WT** White  
**87883SV** Silver  
**87883BK** Black  
5.1w Total  
390 Rated Lumens



**Silver**  
White Accessories



**White**  
White Accessories



**Black**  
Black Accessories



**1-Light Disc Add-On**  
**87881WT** White  
**87881SV** Silver  
**87881BK** Black  
 3.125"W x .875"H  
 1 x 1.7w  
 130 Rated Lumens  
 Includes One 18" MXInterLink2 Cord  
 and Installation Hardware



OPTIONAL COMPONENTS



**MXInterLink2 Power Cord**  
**87817WT** White  
**87817BK** Black  
 72"L



**MXInterLink2 Coupler**  
**87820WT** White  
**87820BK** Black  
 2"W x .375"H x .5"L



**MXInterLink2 Connector Cord**  
 18" **87819WT** White  
 18" **87819BK** Black  
 9" **87818WT** White  
 9" **87818BK** Black



**MXInterLink2 Cord Coupler**  
**87823WT** White  
**87823BK** Black  
 2.125"W x .375"H x .625"L



**MXInterLink2 Direct Wire Box**  
**87803WT** White  
**87803BK** Black  
 4"W x 1"H x 2"L



**Plastic Wire Clip**  
**53255**  
 .5"W x .25"H x 1"L

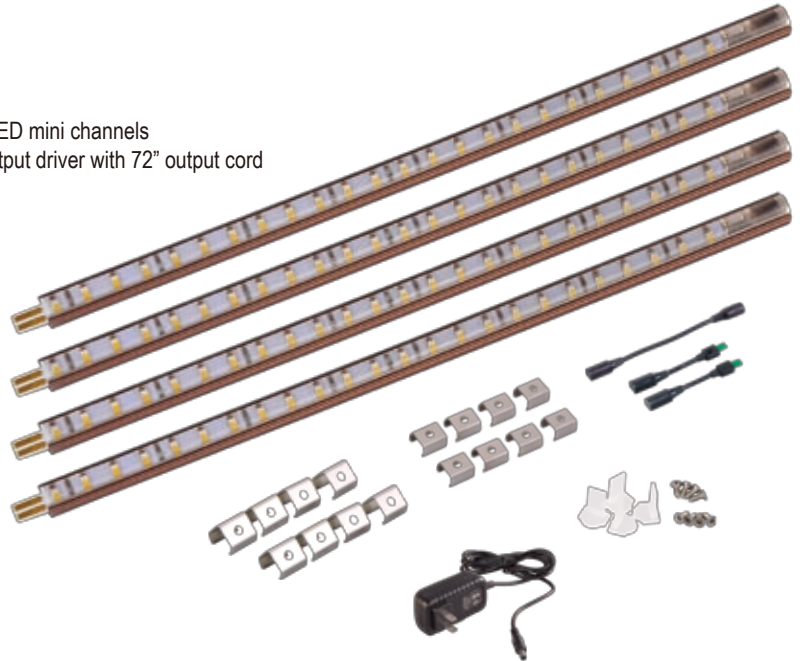
CounterMax MX-LMC LED mini channel is designed for illuminating drawers and cabinets. At just over 1/4" wide it is as easy to conceal as it is to install. Both flat and 45° angle mounting clips are included and provide for easy do-it-yourself installation. The channel is aluminum and is finished in a rich anodized Bronze which coordinates well with most wood finishes. The optical lens focuses the light where needed and the warm white 3000 K LED provides ample light without heat, and is efficient in consuming only 2w per foot. Optional motion sensor allows for automatic control, perfect for cabinet installation.



**Starter Kit  
53800BRZ**

Includes:

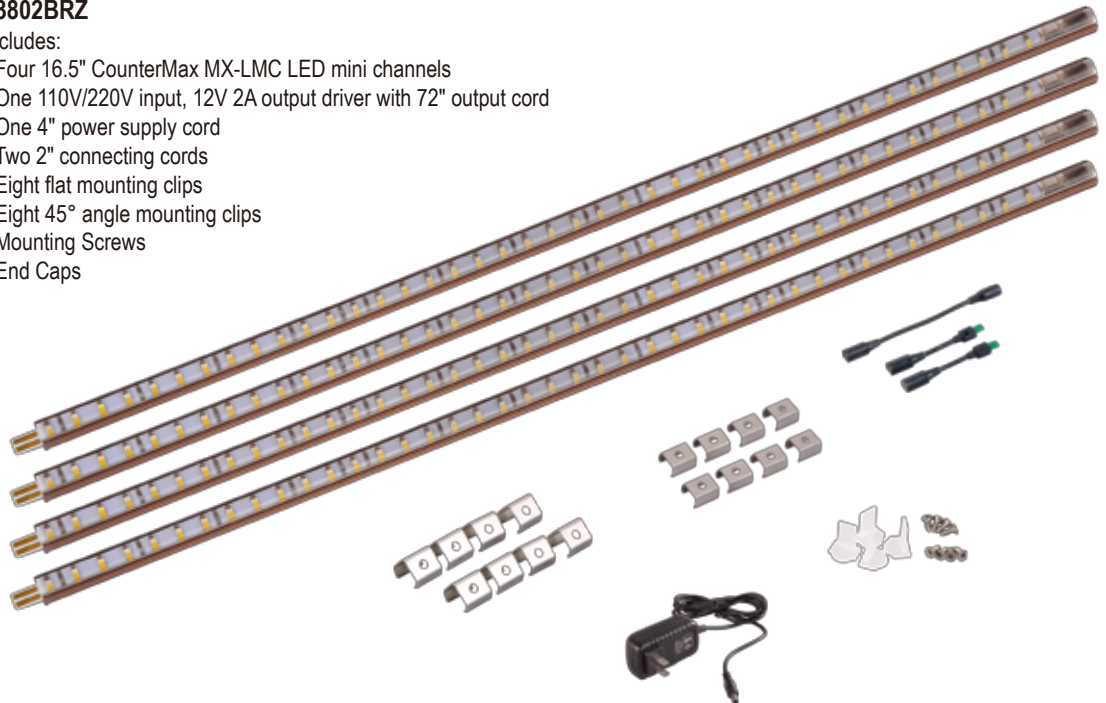
- Four 10" CounterMax MX-LMC LED mini channels
- One 110V/220V input, 12V 2A output driver with 72" output cord
- One 4" power supply cord
- Two 2" connecting cords
- Eight flat mounting clips
- Eight 45° angle mounting clips
- Mounting Screws
- End Caps



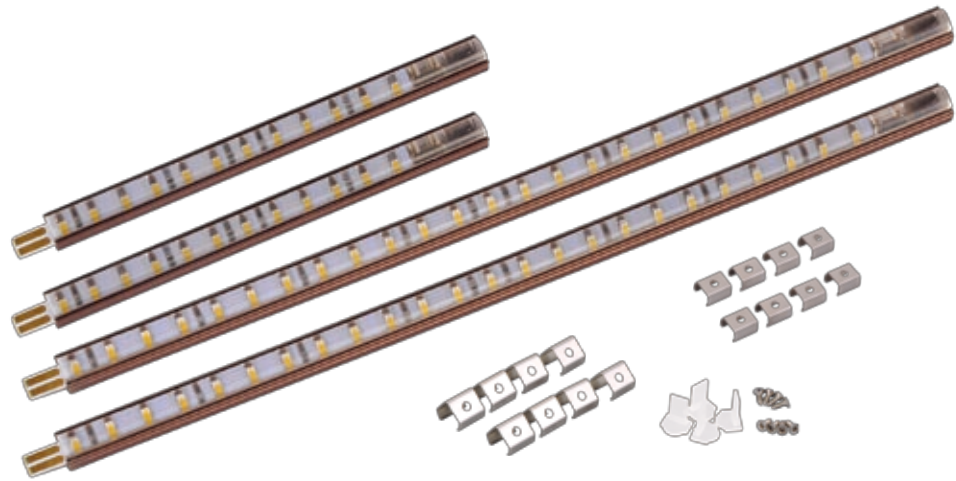
**Starter Kit  
53802BRZ**

Includes:

- Four 16.5" CounterMax MX-LMC LED mini channels
- One 110V/220V input, 12V 2A output driver with 72" output cord
- One 4" power supply cord
- Two 2" connecting cords
- Eight flat mounting clips
- Eight 45° angle mounting clips
- Mounting Screws
- End Caps



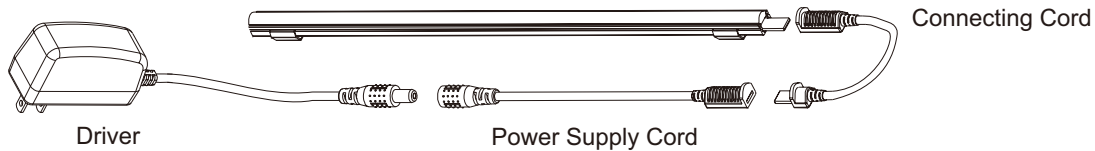
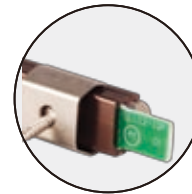




**Add-On Kit  
53804BRZ**

One Add-On kit can be used with either starter kit and Includes:

- Two 10" CounterMax MX-LMC LED mini channels
- Two 5" CounterMax MX-LMC LED mini channels
- Eight flat mounting clips
- Eight 45° angle mounting clips
- Mounting Screws



Length	Diodes	Wattage	Lumens	Beam	Voltage	Color Temp.
5"	12	0.96	65	70°	12V	3000 K
10"	24	1.92	130	70°	12V	3000 K
16.5"	42	3.36	227	70°	12V	3000 K



**Motion Sensor**

**53812BK** Black  
1"D x 2.25"L x 1.15"W

- Turns CounterMax MX-LMC system on and off by infrared sensor
- Once the sensor, with a range of 20', detects motion through body heat, it will turn the system on
- After 15 minutes of no motion detected, the sensor will turn the system off.
- Installed between driver and distributor
- Includes one 6" input cord and two 24" output cords



**Touch Dimmer**

**53811WT** White  
**53811BK** Black  
3"L x 1.2"W x .6"H

- Dims CounterMax MX-LMC system and turns the system on or off
- A tap turns the system on or off, a continuous hold for full range dimming.
- Installed between driver and distributor
- Includes one 10" input cord and one 45" output cord



**Plastic Wire Clip**

**53255**  
.5"W x .25"H x 1"L

# SERIES DETAILS

Series	Item	Measurements	Lamping	Lumens	Color Temp	Life Hours	Installation	Replacement Bulb
MX-FD	87805	5"W x 1.25"H x 12"L	1 x 8w Mini Bi Pin T5	400	3100	7500	DW	BUFT508011
	87806	5"W x 1.25"H x 21"L	1 x 13w Mini Bi Pin T5	870	3100	7500	DW	BUFT513012
	87807	5"W x 1.25"H x 24"L	1 x 16w Mini Bi Pin T5	1360	3100	7500	DW	BUFT516013
	87809	5"W x 1.25"H x 43"L	1 x 26w Mini Bi Pin T5	2700	3100	7500	DW	BUFT526015
MX-L	87902	2"W x 1"H x 10"L	2 x 1w LED	160	3000	50000	CP2, DW2, IL2	
	87904	2"W x 1"H x 20"L	4 x 1w LED	320	3000	50000	CP2, DW2, IL2	
	87906	2"W x 1"H x 30"L	6 x 1w LED	480	3000	50000	CP2, DW2, IL2	
MX-L120DC	89912	4"W x 1"H x 7"L	4.88w LED	200	3000	50000	DW, CP4, DW4, IL4	
	89913	4"W x 1"H x 13"L	9.76w LED	471	3000	50000	DW, CP4, DW4, IL4	
	89914	4"W x 1"H x 21"L	14.93w LED	715	3000	50000	DW, CP4, DW4, IL4	
	89916	4"W x 1"H x 30"L	19.52w LED	964	3000	50000	DW, CP4, DW4, IL4	
MX-LD	Single Disc	3.125"W x 0.875"H	24 x .07w LED	130	3500	30000	CP2, DW2, IL2	
MX-LD-R	Single Disc	2.75"W x .5"H	1 x .6w LED	220	3000	30000	CP	
MX-L-LPC	89941	3"W x 0.55"H x 12"L	9.89w LED	461	3000	50000	CP5, DW5, IL5	
	89942	3"W x 0.55"H x 18"L	14.74w LED	640	3000	50000	CP5, DW5, IL5	
	89943	3"W x 0.55"H x 24"L	18.97w LED	903	3000	50000	CP5, DW5, IL5	
MX-LMC	5" Section	.37"W x .35"H x 5"L	12 x .08w LED	65	3000	30000	CP	
	10" Section	.37"W x .35"H x 10"L	24 x .08w LED	130	3000	30000	CP	
	16.5" Section	.37"W x .35"H x 16.5"L	42 x .08w LED	227	3000	30000	CP	
MX-X12	87849/87859	5"W x 1.125"H x 7"L	1 x 18w Wedge T5 Xelogen	264	2800	10000	CP3, DW3, IL3	BUX20023
	87851/87861	5"W x 1.125"H x 13"L	2 x 18w Wedge T5 Xelogen	528	2800	10000	CP3, DW3, IL3	BUX20023
	87852/87862	5"W x 1.125"H x 21"L	3 x 18w Wedge T5 Xelogen	792	2800	10000	CP3, DW3, IL3	BUX20023
	87853/87863	5"W x 1.125"H x 30"L	4 x 18w Wedge T5 Xelogen	1056	2800	10000	CP3, DW3, IL3	BUX20023

## SERIES DETAILS

Series	Item	Measurements	Lamping	Lumens	Color Temp	Life Hours	Installation	Replacement Bulb
MX-X120	87830	5"W x 1.25"H x 7"L	1 x 20w G8	225	2900	3500	DW	BUX20016
	87831	5"W x 1.25"H x 13"L	2 x 20w G8	450	2900	3500	DW	BUX20016
	87832	5"W x 1.25"H x 21"L	3 x 20w G8	675	2900	3500	DW	BUX20016
	87833	5"W x 1.25"H x 30"L	4 x 20w G8	900	2900	3500	DW	BUX20016
	87834	5"W x 1.25"H x 40"L	5 x 20w G8	1125	2900	3500	DW	BUX20016
MX-X120c	87840	5"W x 1.25"H x 7"L	1 x 20w G8	225	2900	3500	DW, CP3, DW3, IL3	BUX20016
	87841	5"W x 1.25"H x 13"L	2 x 20w G8	450	2900	3500	DW, CP3, DW3, IL3	BUX20016
	87842	5"W x 1.25"H x 21"L	3 x 20w G8	675	2900	3500	DW, CP3, DW3, IL3	BUX20016
	87843	5"W x 1.25"H x 30"L	4 x 20w G8	900	2900	3500	DW, CP3, DW3, IL3	BUX20016
	87844	5"W x 1.25"H x 40"L	5 x 20w G8	1125	2900	3500	DW, CP3, DW3, IL3	BUX20016
MX-X12-LX	87449/87459	5"W x 1"H x 7"L	1 x 18w Wedge T5 Xelogen	264	2800	10000	CP4, DW4, IL4	BUX20023
	87451/87461	5"W x 1"H x 13"L	2 x 18w Wedge T5 Xelogen	528	2800	10000	CP4, DW4, IL4	BUX20023
	87452/87462	5"W x 1"H x 21"L	3 x 18w Wedge T5 Xelogen	729	2800	10000	CP4, DW4, IL4	BUX20023
	87453/87463	5"W x 1"H x 30"L	4 x 18w Wedge T5 Xelogen	1056	2800	10000	CP4, DW4, IL4	BUX20023

### Cord and Plug

CP - Cord/Plug  
 CP2 - MXInterLink2 Cord/Plug  
 CP3 - MXInterLink3 Cord/Plug  
 CP4 - MXInterLink4 Cord/Plug  
 CP5 - MXInterLink5 Cord/Plug

### Direct Wire

DW - Direct Wire  
 DW2 - MXInterLink2 Direct Wire Box  
 DW3 - MXInterLink3 Direct Wire Box  
 DW4 - MXInterLink4 Direct Wire Box  
 DW5 - MXInterLink5 Direct Wire Box

### Link Connector

IL2 - MXInterLink2 Connector Cord  
 IL3 - MXInterLink3 Connector Cord  
 IL4 - MXInterLink4 Connector Cord  
 IL5 - MXInterLink5 Connector Cord

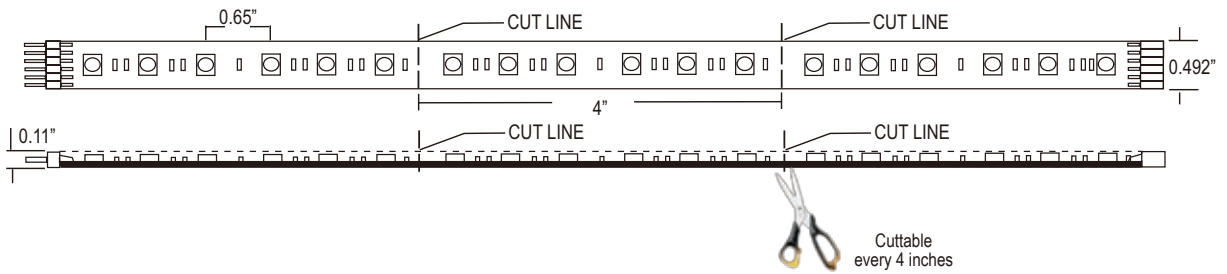
# StarStrand® Ultima Star 24

## Features

- Highest StarStrand lumen light output
- Long runs up to 100 feet
- Plastic covered to reduce static failure
- Multiple lengths with soldered connectors for trouble free installation
- UL approved for damp locations
- Highly flexible material that is backed with 3M adhesive tape for easy installation
- Field cuttable every 4 inches

## Applications

- Office task lighting
- Under cabinet lighting
- Closets
- Work areas
- Display counters
- Steps and railings



Item	Length	Diodes	Wattage	Lumens	Color Temp	CRI	PC Board	Beam	Voltage	Current
53450	4"	6	1.23	85	3500 K	70-75	White	120°	24V	51mA
53451	12"	18	3.7	254	3500 K	70-75	White	120°	24V	154mA
53455	20"	30	6.17	423	3500 K	70-75	White	120°	24V	257mA
53452	60"	90	18.5	1270	3500 K	70-75	White	120°	24V	771mA
53453	120"	180	37	2540	3500 K	70-75	White	120°	24V	1.5A
53454	240"	360	74	5080	3500 K	70-75	White	120°	24V	3.1A

Model Number	Wattage	Maximum Run	Maximum Run Using 2 Output Cords	Wiring Diagram
53311, 53313, 55318	60 Watts	13'	.....	1
53286	96 Watts	22'	.....	1
53314	100 Watts	22'	.....	1
53287	150 Watts	32'	.....	1
53288	320 Watts	50'	70'	.....
53289	480 Watts	50'	100'	.....

Wiring Diagram on page 45

3500 K 120°	
Distance	Foot Candles
12in	51.47
24in	14.47
36in	6.65
48in	3.85

Shown using 1 foot section of Ultima Star 24



## 6-Pin 4-Way Connector



- 53350** 1.5"L x 1.5"W x .25"H
- Creates a power block for branching between Ultima Star 24, 24V Driver or 24V Dimming Controller
  - Includes two 6-Pin Male End Caps and one 6-Pin Male/Male Adapter

## 24V Dimming Controller



- 53393** 5"L x 2.5"W x 1"H
- Full range dimming and on/off
  - RF remote included
  - Installs between 24V Driver and Ultima Star 24
  - 4" 6-Pin power input cord, 72" 6-Pin signal output cord
  - Compatible with drivers 53313 and 53318

## 6-Pin Connecting Cords



- 53465** 5"L x .75"W x .25"H  
**53467** 13"L x .75"W x .25"H  
**53468** 73"L x .75"W x .25"H
- Extend distance between Ultima Star 24, 24V Driver or 24V Dimming Controller

## 6-Pin 90° Connector



- 53464** 1.25"L x 1.25"W x .25"H
- For 90° corners
  - Reversible for left or right
  - Includes 3M adhesive for easy mounting

## Flexible Aluminum Channel



- 53254** 36"L x .5"W x .6"H
- Creates valance to conceal tape
  - Irregular surfaces installation
  - Includes screws for installation

## 6-Pin Male/Male Adapter



- 53342** .5"L x .5"W x .25"H
- Changes female end to male
  - Package of 6

## 6-Pin Male Extender



- 53341** .5"L x .5"W x .25"H
- Used to connect 6-Pin 4-Way Connector to 6-Pin Connecting Cords and the 6-Pin output cords on 24V drivers and 24V Dimming Controller
  - Package of 6
  - One included with 53350

## Drivers

(See page 41-42 for detailed driver information)

- 53311** 24V 60w Class II Dimmable Driver  
**53313** 24V 60w Plug-In Driver  
**53318** 24V 60w Class II Driver  
**53286** 24V 96w Class II Driver

- 53314** 24V 100w Class II Dimmable Driver  
**53287** 24V 150w Driver  
**53288** 24V 320w Driver  
**53289** 24V 480w Driver

## Plastic Wire Clip



- 53255** 1"L x .5"W x .25"H
- Secures to surface connecting cords and input/output cords of drivers and controllers
  - Backed with 3M adhesive
  - Package of 10

## 6-Pin Rough-In Terminal Block



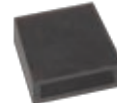
- 53258** 4"L x .75"W x .5"H
- Rough in for new installation construction between Ultima Star 24, 24V Driver or 24V Dimming Controller
  - Female connector on one end with two wire quick connector on opposite end
  - Includes one 6-Pin Male/Male Adapter and installation screw

## 6-Pin Mounting Clip



- 53273** .5"W x .25"H x .5"L
- Use on irregular surfaces when adhesive backing is not sufficient
  - Recommended interval is every 12"
  - Package of 20

## 6-Pin Silicone End Cap



- 53469** .75"L x .5"W x .1"H
- Placed on run termination
  - Protects against dust and damage
  - Package of 10

## Heat Shrink Wrap



- 53256** 3"L x 1"W x .25"H
- Secure connections when in walls
  - Waterproof for damp locations
  - Heat gun required for installation
  - Package of 10

## 6-Pin Male End Cap



- E53344** .5"L x .5"W x .25"H
- Placed on female end of run termination
  - Protects against dust and damage
  - Package of 6

## Adjustable 6-Pin Connector



- 53462** 1.18"W x .25"H x 2.3"L
- Used for irregular turns on a flat surface
  - Adjusts from 90° to 180°
  - Great for radius turn alcoves

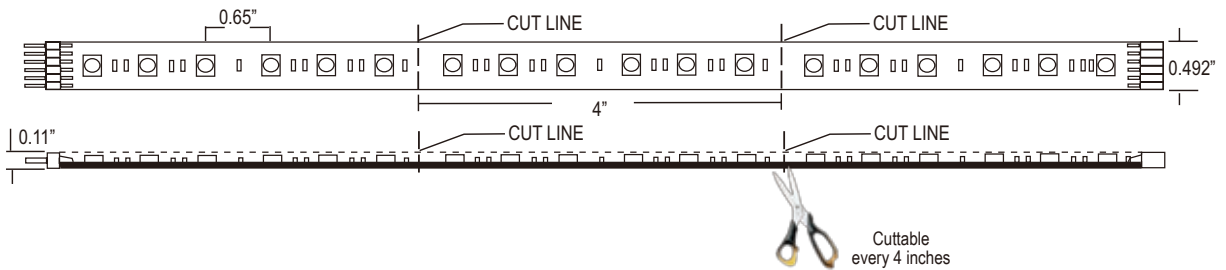
# StarStrand® Elite Star 24

## Features

- High lumen light output
- Long runs up to 150 feet
- Plastic covered to reduce static failure
- Multiple lengths with soldered connectors for trouble free installation
- UL approved for damp locations
- Highly flexible material that is backed with 3M adhesive tape for easy installation
- Field cuttable every 4 inches

## Applications

- Cove and toe kick accent lighting
- Outdoor covered porch and patio
- Under cabinet lighting
- Step lighting
- Restaurants and lounges
- Boats and RV



Item	Length	Diodes	Wattage	Lumens	Color Temp	CRI	PC Board	Beam	Voltage	Current
53430	4"	6	0.9	43	3500 K	70-75	Black	120°	24V	38mA
53431	12"	18	2.7	130	3500 K	70-75	Black	120°	24V	113mA
53432	60"	90	13.5	650	3500 K	70-75	Black	120°	24V	563mA
53433	120"	180	27	1300	3500 K	70-75	Black	120°	24V	1.1A
53434	240"	360	54	2600	3500 K	70-75	Black	120°	24V	2.3A

### Maximum Run Using

Model Number	Wattage	Maximum Run	2 Output Cords	Wiring Diagram
53311, 53313, 53318	60 Watts	20'	.....	1
53286	96 Watts	33'	.....	1
53314	100 Watts	33'	.....	1
53287	150 Watts	50'	.....	1
53288	320 Watts	75'	105'	.....
53289	480 Watts	75'	150'	.....

Wiring Diagram on page 45

3500 K 120°	
Distance	Foot Candles
12in	23.78
24in	6.77
36in	3.12
48in	1.83

Shown using 1 foot section of Elite Star 24

## 6-Pin 4-Way Connector



- 53350** 1.5"L x 1.5"W x .25"H
- Creates a power block for branching between Elite Star 24, 24V Driver or 24V Dimming Controller
  - Includes two 6-Pin Male End Caps and one 6-Pin Male/Male Adapter

## 24V Dimming Controller



- 53393** 5"L x 2.5"W x 1"H
- Full range dimming and on/off
  - RF remote included
  - Installs between 24V Driver and Elite Star 24
  - 4" 6-Pin power input cord, 72" 6-Pin signal output cord
  - Compatible with drivers 53313 and 53318

## 6-Pin Connecting Cords



- 53465** 5"L x .75"W x .25"H  
**53467** 13"L x .75"W x .25"H  
**53468** 73"L x .75"W x .25"H
- Extend distance between Elite Star 24, 24V Driver or 24V Dimming Controller

## 6-Pin 90° Connector



- 53464** 1.25"L x 1.25"W x .25"H
- For 90° corners
  - Reversible for left or right
  - Includes 3M adhesive for easy mounting

## Flexible Aluminum Channel



- 53254** 36"L x .5"W x .6"H
- Creates valance to conceal tape
  - Irregular surfaces installation
  - Includes screws for installation

## 6-Pin Male/Male Adapter



- 53342** .5"L x .5"W x .25"H
- Changes female end to male
  - Package of 6

## 6-Pin Male Extender



- 53341** .5"L x .5"W x .25"H
- Used to connect 6-Pin 4-Way Connector to 6-Pin Connecting Cords and the 6-Pin output cords on 24V drivers and 24V Dimming Controller
  - Package of 6
  - One included with 53350

## Plastic Wire Clip



- 53255** 1"L x .5"W x .25"H
- Secures to surface connecting cords and input/output cords of drivers and controllers
  - Backed with 3M adhesive
  - Package of 10

## 6-Pin Rough-In Terminal Block



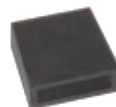
- 53258** 4"L x .75"W x .5"H
- Rough in for new installation construction between Elite Star 24, 24V Driver or 24V Dimming Controller
  - Female connector on one end with two wire quick connector on opposite end
  - Includes one 6-Pin Male/Male Adapter and installation screw

## 6-Pin Mounting Clip



- 53273** .5"W x .25"H x .5"L
- Use on irregular surfaces when adhesive backing is not sufficient
  - Recommended interval is every 12"
  - Package of 20

## 6-Pin Silicone End Cap



- 53469** .75"L x .5"W x .1"H
- Placed on run termination
  - Protects against dust and damage
  - Package of 10

## Heat Shrink Wrap



- 53256** 3"L x 1"W x .25"H
- Secure connections when in walls
  - Waterproof for damp locations
  - Heat gun required for installation
  - Package of 10

## 6-Pin Male End Cap



- E53344** .5"L x .5"W x .25"H
- Placed on female end of run termination
  - Protects against dust and damage
  - Package of 6

## Adjustable 6-Pin Connector



- 53462** 1.18"W x .25"H x 2.3"L
- Used for irregular turns on a flat surface
  - Adjusts from 90° to 180°
  - Great for radius turn alcoves

## Drivers

(See page 41-42 for detailed driver information)

<b>53311</b>	24V 60w Class II Dimmable Driver
<b>53313</b>	24V 60w Plug-In Driver
<b>53318</b>	24V 60w Class II Driver
<b>53286</b>	24V 96w Class II Driver

<b>53314</b>	24V 100w Class II Dimmable Driver
<b>53287</b>	24V 150w Driver
<b>53288</b>	24V 320w Driver
<b>53289</b>	24V 480w Driver

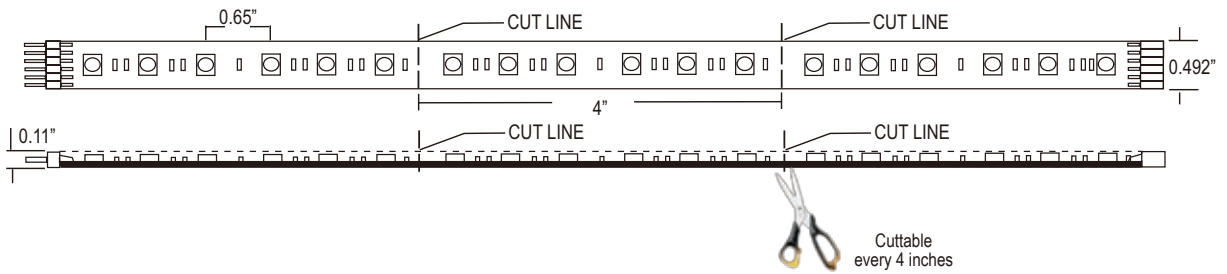
# StarStrand® Solar Star 24

## Features

- 2700 K Color Temperature
- Long runs up to 100 feet
- Plastic covered to reduce static failure
- Multiple lengths with soldered connectors for trouble free installation
- UL approved for damp locations
- Highly flexible material that is backed with 3M adhesive tape for easy installation
- Field cuttable every 4 inches

## Applications

- Office task lighting
- Under cabinet lighting
- Closets
- Work areas
- Display counters
- Steps and railings



Item	Length	Diodes	Wattage	Lumens	Color Temp	CRI	PC Board	Beam	Voltage	Current
53470	4"	6	1.23	80	2700 K	70-75	Black	120°	24V	51mA
53471	12"	18	3.7	239	2700 K	70-75	Black	120°	24V	154mA
53472	60"	90	18.5	1195	2700 K	70-75	Black	120°	24V	770mA
53473	120"	180	37	2390	2700 K	70-75	Black	120°	24V	1.5A
53474	240"	360	74	4780	2700 K	70-75	Black	120°	24V	3.1A

Model Number	Wattage	Maximum Run	Maximum Run Using 2 Output Cords	Wiring Diagram
53311, 53313, 55318	60 Watts	13'	.....	1
53286	96 Watts	22'	.....	1
53314	100 Watts	22'	.....	1
53287	150 Watts	32'	.....	1
53288	320 Watts	50'	70'	.....
53289	480 Watts	50'	100'	.....

Wiring Diagram on page 45

2700 K 120°	
Distance	Foot Candles
12in	51.47
24in	14.47
36in	6.65
48in	3.85

Shown using 1 foot section of Solar Star 24

## 6-Pin 4-Way Connector



- 53350** 1.5"L x 1.5"W x .25"H
- Creates a power block for branching between Solar Star 24, 24V Driver or 24V Dimming Controller
  - Includes two 6-Pin Male End Caps and one 6-Pin Male/Male Adapter

## 24V Dimming Controller



- 53393** 5"L x 2.5"W x 1"H
- Full range dimming and on/off
  - RF remote included
  - Installs between 24V Driver and Solar Star 24
  - 4" 6-Pin power input cord, 72" 6-Pin signal output cord
  - Compatible with drivers 53313 and 53318

## 6-Pin Connecting Cords



- 53465** 5"L x .75"W x .25"H  
**53467** 13"L x .75"W x .25"H  
**53468** 73"L x .75"W x .25"H
- Extend distance between Solar Star 24, 24V Driver or 24V Dimming Controller

## 6-Pin 90° Connector



- 53464** 1.25"L x 1.25"W x .25"H
- For 90° corners
  - Reversible for left or right
  - Includes 3M adhesive for easy mounting

## Flexible Aluminum Channel



- 53254** 36"L x .5"W x .6"H
- Creates valance to conceal tape
  - Irregular surfaces installation
  - Includes screws for installation

## 6-Pin Male/Male Adapter



- 53342** .5"L x .5"W x .25"H
- Changes female end to male
  - Package of 6

## 6-Pin Male Extender



- 53341** .5"L x .5"W x .25"H
- Used to connect 6-Pin 4-Way Connector to 6-Pin Connecting Cords and the 6-Pin output cords on 24V drivers and 24V Dimming Controller
  - Package of 6
  - One included with 53350

## Plastic Wire Clip



- 53255** 1"L x .5"W x .25"H
- Secures to surface connecting cords and input/output cords of drivers and controllers
  - Backed with 3M adhesive
  - Package of 10

## 6-Pin Rough-In Terminal Block



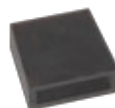
- 53258** 4"L x .75"W x .5"H
- Rough in for new installation construction between Solar Star 24, 24V Driver or 24V Dimming Controller
  - Female connector on one end with two wire quick connector on opposite end
  - Includes one 6-Pin Male/Male Adapter and installation screw

## 6-Pin Mounting Clip



- 53273** .5"W x .25"H x .5"L
- Use on irregular surfaces when adhesive backing is not sufficient
  - Recommended interval is every 12"
  - Package of 20

## 6-Pin Silicone End Cap



- 53469** .75"L x .5"W x .1"H
- Placed on run termination
  - Protects against dust and damage
  - Package of 10

## Heat Shrink Wrap



- 53256** 3"L x 1"W x .25"H
- Secure connections when in walls
  - Waterproof for damp locations
  - Heat gun required for installation
  - Package of 10

## 6-Pin Male End Cap



- 53344** .5"L x .5"W x .25"H
- Placed on female end of run termination
  - Protects against dust and damage
  - Package of 6

## Adjustable 6-Pin Connector



- 53462** 1.18"W x .25"H x 2.3"L
- Used for irregular turns on a flat surface
  - Adjusts from 90° to 180°
  - Great for radius turn alcoves

## Drivers

(See page 41-42 for detailed driver information)

<b>53311</b>	24V 60w Class II Dimmable Driver
<b>53313</b>	24V 60w Plug-In Driver
<b>53318</b>	24V 60w Class II Driver
<b>53286</b>	24V 96w Class II Driver

<b>53314</b>	24V 100w Class II Dimmable Driver
<b>53287</b>	24V 150w Driver
<b>53288</b>	24V 320w Driver
<b>53289</b>	24V 480w Driver



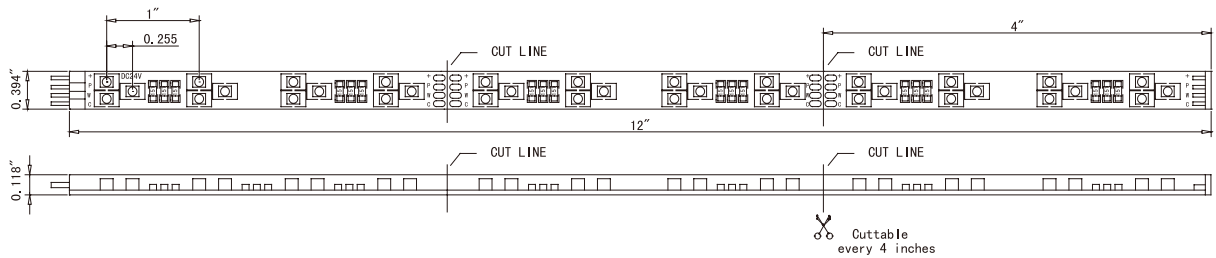
# StarStrand® Color Flex Star 24

## Features

- Adjustable color temperature from 2900 K to 5000 K
- Plastic covered to reduce static failure
- Multiples lengths with soldered connectors for trouble free installation
- Suitable for damp locations
- Highly flexible material that is backed with 3M tape for easy installation

## Applications

- Cove and toe kick accent lighting
- Outdoor covered porch and patio
- Under cabinet lighting
- Display case
- Restaurants and lounges
- Bathroom lighting



Item	Length	Diodes	Wattage	Lumens	Color Temp	CRI	PC Board	Beam	Voltage	Current
53550	4"	6	0.96	15-16.5	2900-5000 K	70-75	White	120°	24V	40mA
53551	12"	18	2.88	45-50	2900-5000 K	70-75	White	120°	24V	120mA
53552	60"	90	14.4	225-250	2900-5000 K	70-75	White	120°	24V	600mA
53553	120"	180	28.8	450-500	2900-5000 K	70-75	White	120°	24V	1.2A
53554	240"	360	57.6	900-1000	2900-5000 K	70-75	White	120°	24V	2.4A

Model Number	Wattage	Maximum Run	Wiring Diagram
53313	60W	20'	6
53318	60W	20'	6

Wiring Diagram on page 45

## Drivers

(See page 41 for detailed driver information)

- 53313 24V 60w Plug-In Driver
- 53318 24V 60w Class II Driver

## 4-Pin Mounting Clip



- 53272** .5"W x .25"H x .5"L
- Use on irregular surfaces when adhesive backing is not sufficient
  - Recommended interval is every 12"
  - Package of 20

## 24V Color Flex Controller



- 53398** 4"L x 4"W x 2"H
- Required to control up to 20' of Color Flex Star 24
  - RF remote control and wall controller are included
  - Adjusts color temperature from 2900 K to 5500 K
  - 4" 6-Pin power input cord, 72" 4-pin signal output cord

## Heat Shrink Wrap



- 53256** 3"L x 1"W x .25"H
- Secure connections when in walls
  - Waterproof for damp locations
  - Heat gun required for installation
  - Package of 10

## 6-Pin 4-Way Connector



- 53350** 1.5"L x 1.5"W x .25"H
- Creates a power block for branching between 24V Driver and 24V Color Flex Controller or 24V Amplifier
  - Includes two 6-Pin Male End Caps and one 6-Pin Male/Male Adapter

## 45° Angle Mounting Channel



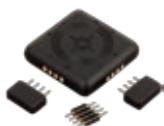
- 53374** 48"L x 1"W x .75"H
- Surface mount to angle tape for accent lighting
  - Aluminum screws included

## 6-Pin Rough-In Terminal Block



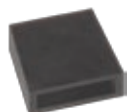
- 53258** 4"L x .75"W x .5"H
- Rough in for new installation construction between 24V Driver and 24V Color Flex Controller or 24V Amplifier
  - Female connector on one end with two wire quick connector on opposite end
  - Includes one 6-Pin Male/Male Adapter and installation screw

## 4-Pin 4-Way Connector



- 53263** 1.5"L x 1.5"W x .25"H
- Allows for L, T and X installations between 24V Color Flex Controller or 24V Amplifier and Color Flex Star 24
  - Includes two 4-Pin Male End Caps and one 4-Pin Male/Male Adapter

## 4-Pin Silicone End Cap



- 53269** .75"L x .5"W x .1"H
- Placed on run termination
  - Protects against dust and damage
  - Package of 10

## 4-Pin Male End Cap



- 53264** .5"L x .5"W x .25"H
- Placed on female end of run termination
  - Protects against dust and damage
  - Package of 10

## 6-Pin Connecting Cords



- 53465** 5"L x .75"W x .25"H  
**53467** 13"L x .75"W x .25"H  
**53468** 73"L x .75"W x .25"H
- Extend distance between 24V Driver and 24V Color Flex Controller or 24V Amplifier

## 24V Amplifier



- 53386** 4"L x 2.5"W x .8"H
- Synchronizes additional runs up to 20' of Color Flex Star 24 to one 24V Color Flex Controller.
  - Maximum 27 amplifiers per controller.
  - Requires an additional 24V Driver
  - 6" 6-Pin power input cord, 6" 4-Pin signal input cord, 6" 4-Pin signal output cord

## Flexible Aluminum Channel



- 53254** 36"L x .5"W x .6"H
- Creates valance to conceal tape
  - Irregular surfaces installation
  - Includes screws for installation

## Plastic Wire Clip



- 53255** 1"L x .5"W x .25"H
- Secures to surface connecting cords and input/output cords of drivers and controllers
  - Backed with 3M adhesive
  - Package of 10

## Aluminum Channel



- 53373** 60"L x .75"W x .75"H
- Can be recessed or surface mount
  - Aluminum screws included

## 4-Pin Rough-In Terminal Block



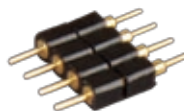
- 53383** 4"L x .75"W x .5"H
- Rough in for new installation construction between 24V Color Flex Controller or 24V Amplifier and Color Flex Star 24
  - Female connector on one end with four wire quick connector on opposite end
  - Includes one 4-Pin Male/Male Adapter and installation screw

## 4-Pin Connecting Cords



- 53265** 3"L x .5"W x .25"H    **53266** 7"L x .5"W x .25"H  
**53267** 13"L x .5"W x .25"H    **53268** 73"L x .5"W x .25"H
- Extend distance between 24V Color Flex Controller or 24V Amplifier and Color Flex Star 24
  - Connect sections of Color Flex Star 24 together

## 4-Pin Male/Male Adapter



- 53262** .5"L x .5"W x .25"H
- Changes female end of Color Flex Star 24 to male end
  - Package of 10

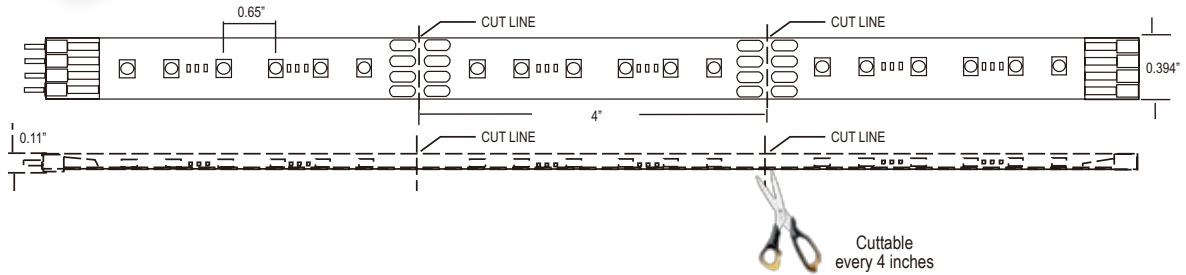
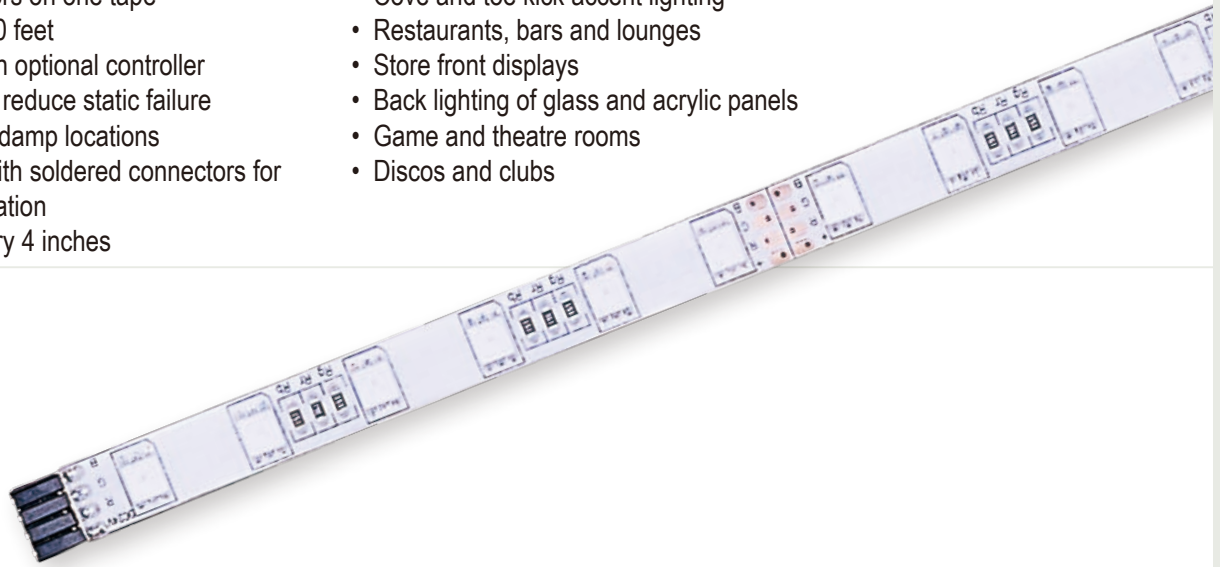
# StarStrand® Rainbow Star 24

## Features

- Thousands of colors on one tape
- Long runs up to 30 feet
- DMX interface with optional controller
- Plastic covered to reduce static failure
- ETL approved for damp locations
- Multiple lengths with soldered connectors for trouble free installation
- Field cuttable every 4 inches

## Applications

- Cove and toe kick accent lighting
- Restaurants, bars and lounges
- Store front displays
- Back lighting of glass and acrylic panels
- Game and theatre rooms
- Discos and clubs



Item	Length	Diodes	Wattage	Lumens	PC Board	Beam	Voltage	Current
53530	4"	6	1.44	R:18 G:30 B:9	White	120°	24V	60mA
53531	12"	18	4.32	R:54 G:90 B:27	White	120°	24V	180mA
53533	60"	90	21.6	R:270 G:450 B:135	White	120°	24V	900mA
53534	120"	180	43.2	R:540 G:900 B:270	White	120°	24V	1.8A
53535	240"	360	86.4	R:1080 G:1800 B:540	White	120°	24V	3.6A

Model Number	Wattage	Maximum Run	Wiring Diagram
53313, 53318	60 Watts	13'	3
53286	96 Watts	22'	3
53287	150 Watts	30'	3

Wiring Diagram on page 45

## Drivers

(See page 41-42 for detailed driver information)

- 53313 24V 60w Plug-In Driver
- 53318 24V 60w Class II Driver
- 53286 24V 96w Class II Driver
- 53287 24V 150w Driver



## 24V RGB Controller



- 53385** 2.5"W x 1"H x 6"L
- Controls up to 30' of Rainbow Star 24 using included RF remote control
  - 4" 6-Pin power input cord, 72" 4-Pin signal output cord

## 24V DMX512 Interface/Decoder & Standalone RGB Controller



- 53387** 4.5"W x 1.5"H x 7.5"L
- Controls up to 30' of Rainbow Star 24 using included RF remote control
  - Meets DMX512 protocol and can be used as a DMX decoder
  - 4" 6-Pin power input cord, 72" 4-Pin signal output cord
- (See page 44 for detailed controller information)*

## 24V Amplifier



- 53386** 2.5"W x .8"H x 4"L
- Synchronizes additional runs up to 30' of Rainbow Star 24 to one 24V RGB Controller.
  - Requires an additional 24V Driver
  - 6" 6-Pin power input cord, 6" 4-Pin signal input cord, 6" 4-Pin signal output cord
  - Maximum 27 amplifiers per controller.

## 4-Pin Silicone End Cap



- 53269** .5"W x .1"H x .75"L
- Placed on run termination
  - Protects against dust and damage
  - Package of 10

## 4-Pin Connecting Cords



- 53265** 3"L x .5"W x .25"H **53266** 7"L x .5"W x .25"H  
**53267** 13"L x .5"W x .25"H **53268** 73"L x .5"W x .25"H
- Extend distance between 24V RGB Controller or 24V Amplifier and Rainbow Star 24
  - Connect sections of Rainbow Star 24 together

## 4-Pin 4-Way Connector



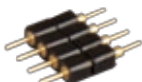
- 53263** 1.5"W x .25"H x 1.5"L
- Allows for L, T and X installations between 24V RGB Controller or 24V Amplifier and Rainbow Star 24
  - Includes two 4-Pin Male End Caps and one 4-Pin Male/Male Adapter

## 45° Angle Mounting Channel



- 53374** 1"W x .75"H x 48"L
- Surface mount to angle tape for accent lighting
  - Aluminum screws included

## 4-Pin Male/Male Adapter



- 53262** .5"W x .25"H x .5"L
- Changes female end of Rainbow Star 24 to male end
  - Package of 10

## Heat Shrink Wrap



- 53256** 1"W x .25"H x 3"L
- Secure connections when in walls
  - Waterproof for damp locations
  - Heat gun required for installation
  - Package of 10

## Plastic Wire Clip



- 53255** .5"W x .25"H x 1"L
- Secures to surface connecting cords and input/output cords of drivers, controllers and amplifiers
  - Backed with 3M adhesive
  - Package of 10

## Rainbow Dial Controller



- 53600** 9"W x 1.8"H
- Controls up to 30' of Rainbow Star 24 using included RF remote control
  - 4" 6-Pin power input cord, 72" 4-Pin signal output cord

## 4-Pin Rough-In Terminal Block



- 53383** .75"W x .5"H x 4"L
- Rough in for new installation construction between 24V RGB Controller or 24V Amplifier and Rainbow Star 24
  - Female connector on one end with four wire quick connector on opposite end
  - Includes one 4-Pin Male/Male Adapter and stallation screw

## 6-Pin Rough-In Terminal Block



- 53258** .75"W x .5"H x 4"L
- Rough in for new installation construction between 24V Driver and 24V RGB Controller or 24V Amplifier
  - Female connector on one end with two wire quick connector on opposite end
  - Includes one 6-Pin Male/Male Adapter and installation screw

## Flexible Aluminum Channel



- 53254** .5"W x .6"H x 36"L
- Creates valance to conceal tape
  - Irregular surfaces installation
  - Includes screws for installation

## 4-Pin Mounting Clip



- 53272** .5"W x .25"H x .5"L
- Use on irregular surfaces when adhesive backing is not sufficient
  - Recommended interval is every 12"
  - Package of 20

## 6-Pin 4-Way Connector



- 53350** 1.5"W x .25"H x 1.5"L
- Creates a power block for branching between 24V Driver and 24V RGB Controller or 24V Amplifier
  - Includes two 6-Pin Male End Caps and one 6-Pin Male/Male Adapter

## Aluminum Channel



- 53373** .75"W x .75"H x 60"L
- Can be recessed or surface mount
  - Aluminum screws included

## 6-Pin Connecting Cords



- 53465** 5"L x .75"W x .25"H **53467** 13"L x .75"W x .25"H  
**53468** 73"L x .75"W x .25"H
- Extend distance between 24V Driver and 24V RGB Controller or 24V Amplifier

## 4-Pin Male End Cap



- 53264** .5"W x .25"H x .5"L
- Placed on female end of run termination
  - Protects against dust and damage
  - Package of 10

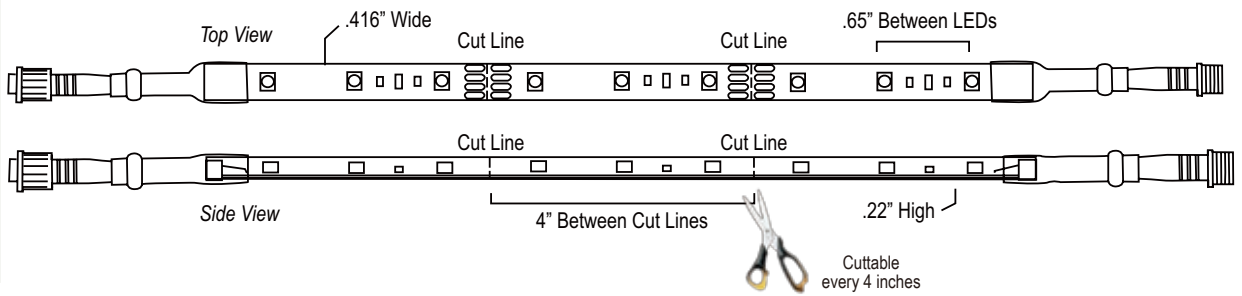
# StarStrand® Aqua Star 24

## Features

- Waterproof IP68 LED tape
- Chemical and UV resistant plastic cover
- Long runs up to 50'
- Installs into aluminum channel or plastic mouting clips
- High lumen double chip LED
- Multiple lengths with watertight IP68 connectors
- Field cuttable every 4 inches

## Applications

- Swimming pools and fountains
- Outdoor decks
- Step and stairs
- Landscape lighting
- Outdoor building accent lighting
- Driveway and sidewalk illumination



Item	Length	Diodes	Wattage	Lumens	Color Temp	CRI	PC Board	Beam	Voltage	Current
53441	24"	36	5.4	256	3500 K	70-75	Black	120°	24V	225mA
53442	60"	90	13.5	640	3500 K	70-75	Black	120°	24V	563mA
53443	120"	180	27	1280	3500 K	70-75	Black	120°	24V	1.1A
53445	300"	450	67.5	3200	3500 K	70-75	Black	120°	24V	2.8A

Model Number	Wattage	Maximum Run	Wiring Diagram
53380	60 Watts	21'	2
53316	100 Watts	30'	2
53381	150 Watts	50'	2

Wiring Diagram on page 45

3500 K 120°	
Distance	Foot Candles
12in	29.54
24in	8.42
36in	3.86
48in	2.2

Shown using 1 foot section of Aqua Star 24

## 24V Outdoor Connecting Cords



- 53364** 48"L x .75"W
- 53365** 144"L x .75"W
- Extend distance between 24V Weatherproof Driver and Aqua Star 24
- Extend distance between two sections of Aqua Star 24
- IP68 rated for underwater application up to 10'

## Aluminum Channel



- 53373**
- 60"L x .75"W x .75"
- Can be recessed or surface mount
- Aluminum screws included

## 45° Angle Mounting Channel



- 53374**
- 48"L x 1"W x .75"
- Surface mount to angle tape for accent lighting
- Aluminum screws included

## Silicone End Cap Kit



- 53368**
- .75"L x .5"W x .1"H
- Placed on run termination
- Protects against water and damage

## Mounting Clip



- 53370**
- .5"L x .5"W x .25"H
- Use to secure Aqua Star 24 to surface
- Stainless steel screws included
- Clear polycarbonate plastic
- Package of 6

## Drivers

*(See page 42 for detailed driver information)*

- 53380** 24V 60w Weatherproof Class II Driver
- 53316** 24V 100w Weatherproof Class II Dimmable Driver
- 53381** 24V 150w Weatherproof Class II Driver

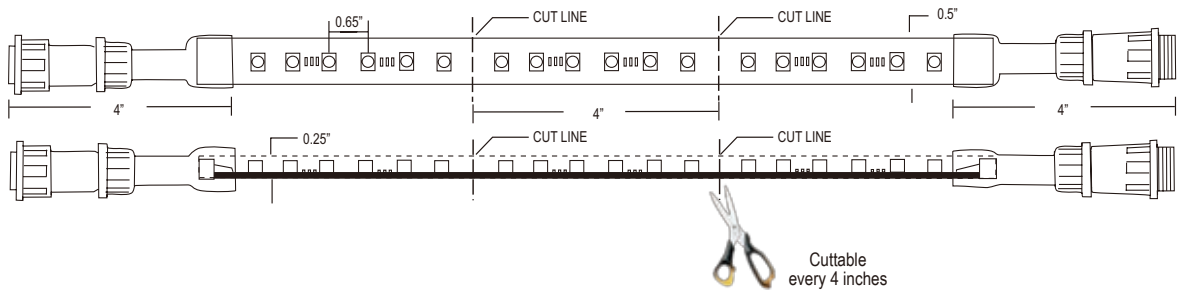
# StarStrand® Rainbow Aqua Star 24

## Features

- Waterproof IP68 color changing LED tape
- Nine modes of color and movement
- Chemical and UV resistant plastic cover
- Long runs up to 30 feet
- Installs into aluminum channel or plastic mouting clips
- Multiple lengths with watertight IP68 connectors
- Field cuttable every 4 inches

## Applications

- Swimming pools and fountains
- Outdoor living areas
- Landscape lighting
- Outdoor architectural features
- Signs
- Outdoor walkways



Item	Length	Diodes	Wattage	Lumens	PC Board	Beam	Voltage	Current
53541	24"	36	8.64	R:108 G:180 B:54	White	120°	24V	360mA
53542	60"	90	21.6	R:270 G:450 B:135	White	120°	24V	900mA
53543	120"	180	43.2	R:540 G:900 B:270	White	120°	24V	1.8A
53545	300"	450	108	R:1350 G:2250 B:675	White	120°	24V	4.5A

Model Number	Wattage	Maximum Run	Wiring Diagram
53380	60 Watts	13'	4
53381	150 Watts	30'	4

Wiring Diagram on page 45

## 24V Weatherproof RGB Controller



**53389**

5"L x 2.5"W x 1"H

- Required to control up to 30' of Rainbow Aqua Star 24
- IP65 rated (not submersible)
- RF remote control included
- 4" power input cord, 72" signal output cord

## 24V Weatherproof Amplifier



**53390**

4"L x 2.5"W x 1"H

- Synchronizes additional runs up to 30' of Rainbow Aqua Star 24 to one 24V Weatherproof RGB Controller
- Maximum 27 amplifiers per controller
- IP65 rated (not submersible)
- Requires an additional 24V Driver
- 6" power input cord, 6" signal input cord, 6" signal output cord

## 24V Outdoor Connecting Cords



**53364** 48"L x .75"W

**53365** 144"L x .75"W

- Extend distance between 24V Weatherproof Driver and Rainbow Aqua Star 24
- Extend distance between two sections of Rainbow Aqua Star 24
- IP68 rated for underwater application up to 10'

## Aluminum Channel



**53373**

60"L x .75"W x .75"H

- Can be recessed or surface mount
- Aluminum screws included

## 45° Angle Mounting Channel



**53374**

48"L x 1"W x .75"H

- Surface mount to angle tape for accent lighting
- Aluminum screws included

## Silicone End Cap Kit



**53368**

.75"L x .5"W x .1"H

- Placed on run termination
- Protects against water and damage

## Mounting Clip



**53370**

.5"L x .5"W x .25"H

- Use to secure Rainbow Aqua Star 24 to surface
- Stainless steel screws included
- Clear polycarbonate plastic
- Package of 6

## Drivers

(See page 42 for detailed driver information)

**53380** 24V 60w Weatherproof Class II Driver

**53381** 24V 150w Weatherproof Class II Driver



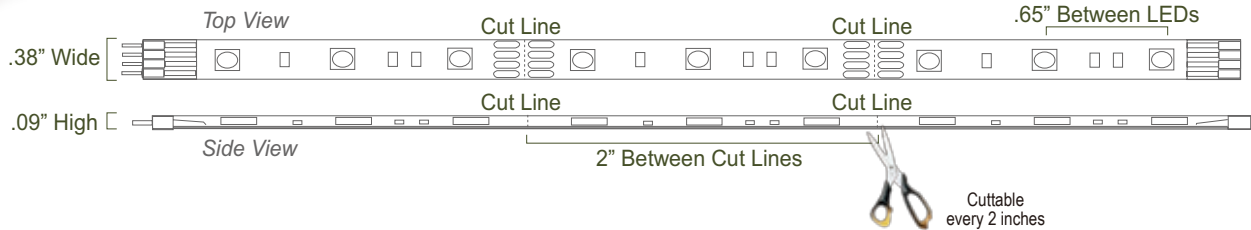
# StarStrand® Basic Star

## Features

- Low power consumption only  
1.4 watts per foot
- Warm 3500 K color
- Highly flexible material that is backed with 3M adhesive tape for easy installation
- No heat and no UV radiation
- Supplied in 16'4" continuous lengths and can be field cut every 2", and reconnected as necessary using specified accessories
- Soldered connectors supplied on each end
- Additional two power feeds and one splicer supplied.

## Applications

- Cove and toe kick accent lighting
- Cabinet lighting
- Architectural features
- Point of purchase displays
- Backlighting of signs and displays
- Wine cellars
- Closets



Item	Length	Diodes	Wattage	Lumens	Color Temp	CRI	PC Board	Beam	Voltage	Current
53201	196"	300	18.29	1258	3500 K	70-75	Copper	120°	12V	1.5A

Model Number	Wattage	Maximum Run	Wiring Diagram
53302	30 Watts	20'	7
53275, 53304, 53310	60 Watts	33'	7

*Wiring Diagram on page 47*

3500 K 120°	
Distance	Foot Candles
12in	16.55
24in	4.61
36in	2.06
48in	1.21

Shown using 1 foot section of Basic Star

## Rough In Terminal Block



- 53257**  
4"L x .75"W x .5"H
- Rough in for new installation construction between 12V Driver and Basic Star
  - Female connector on one end with four wire quick connector on opposite end
  - Includes one 4-Pin Male/Male Adapter and installation screw

## End Power Feed



- 53260**  
3"L x 1"W x .25"H
- Required if tape is cut
  - Two included with Basic Star
  - Package of 6

## Flexible Aluminum Channel



- 53254**  
36"L x .5"W x .6"H
- Creates valance to conceal tape
  - Irregular surfaces installation
  - Includes screws for installation

## 4-Pin 4-Way Connector



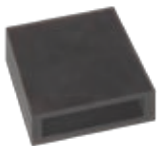
- 53263**  
1.5"L x 1.5"W x .25"H
- Allows for L, T and X installations between 12V Driver and Basic Star
  - Creates a power block for branching between 12V Drivers and Basic Star
  - Includes two 4-Pin Male End Caps and one 4-Pin Male/Male Adapter

## 45° Angle Mounting Channel



- 53374**  
48"L x 1"W x .75"H
- Surface mount to angle tape for accent lighting
  - Aluminum screws included

## 4-Pin Silicone End Cap



- 53269**  
.75"L x .5"W x .1"H
- Placed on run termination
  - Protects against dust and damage
  - Package of 10

## Flexible Connector



- 53259**  
3"L x 1"W x .25"H
- Use for corners and angles
  - Package of 6

## Drivers

(See page 40 for detailed driver information)

- 53302** 12V 30w Class II Driver  
**53275** 12V 60w Class II Plug-In Driver  
**53304** 12V 60w Class II Driver  
**53310** 12V 60w Class II Dimmable Driver

## Plastic Wire Clip



- 53255**  
1"L x .5"W x .25"H
- Secures to surface connecting cords and input/output cords of drivers, controllers and amplifiers
  - Backed with 3M adhesive
  - Package of 10

## Tape Splicer



- 53261**  
1"L x .5"W x .25"H
- Joins two sections if tape is cut
  - One included with Basic Star
  - Package of 10

## 4-Pin Connecting Cords



- 53265** 3"L x .5"W x .25"H **53266** 7"L x .5"W x .25"H  
**53267** 13"L x .5"W x .25"H **53268** 73"L x .5"W x .25"H
- Extend distance between 12V Driver and Basic Star
  - Connect sections of Basic Star together

## Heat Shrink Wrap



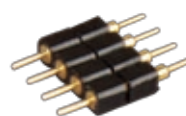
- 53256**  
3"L x 1"W x .25"H
- Secure connections when in walls
  - Waterproof for damp locations
  - Heat gun required for installation
  - Package of 10

## Aluminum Channel



- 53373**  
60"L x .75"W x .75"H
- Can be recessed or surface mount
  - Aluminum screws included

## 4-Pin Male/Male Adapter



- 53262**  
.5"L x .5"W x .25"H
- Changes female end of Basic Star to male end
  - Package of 10

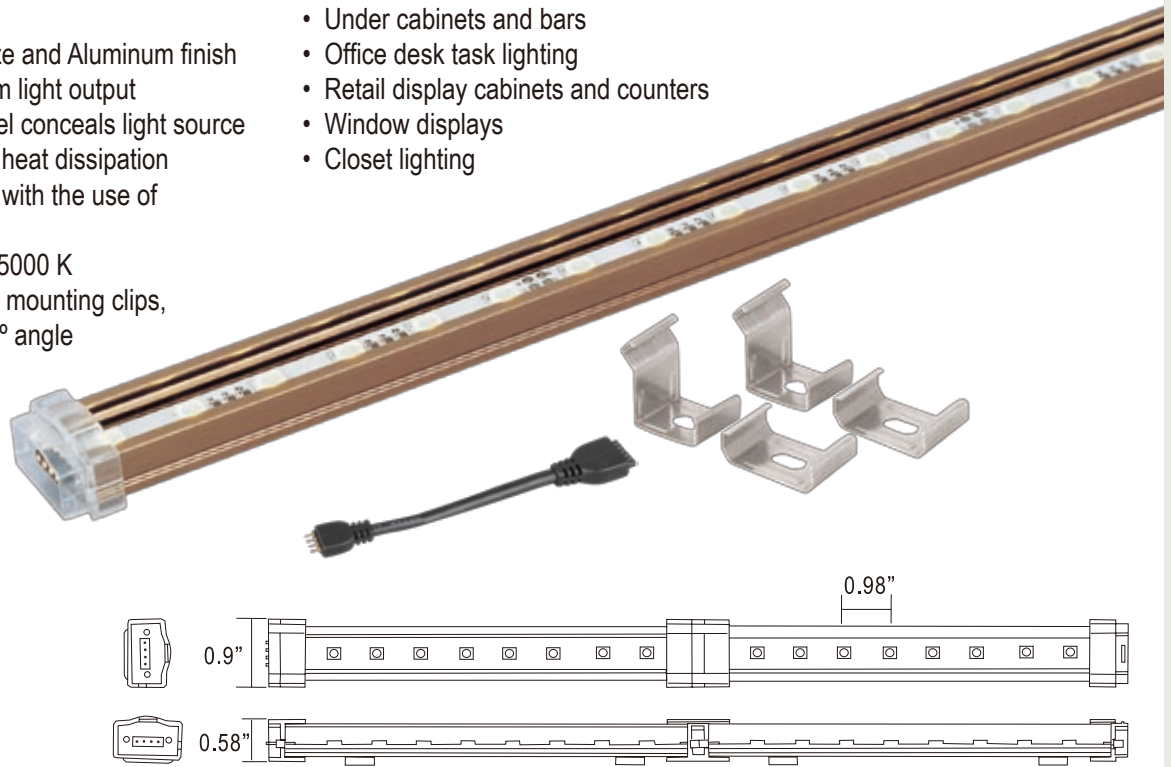
# StarStrand® Channel Star 24

## Features

- High lumen output
- Available in both Bronze and Aluminum finish
- Clear lens for maximum light output
- Rigid aluminum channel conceals light source and provides excellent heat dissipation
- Connect end to end or with the use of connecting cords
- Available in 3500 K or 5000 K
- Includes easy to install mounting clips, both downward and 45° angle

## Applications

- Under cabinets and bars
- Office desk task lighting
- Retail display cabinets and counters
- Window displays
- Closet lighting



4  
d.

24  
VOLT S



Item	Length	Diodes	Wattage	Lumens	Color Temp	CRI	Beam	Voltage	Current
53700 AL, BRZ	6"	10	1.85	111	3500 K	70 - 75	120°	24V	77mA
53701 AL, BRZ	12"	18	3.7	222	3500 K	70 - 75	120°	24V	154mA
53702 AL, BRZ	24"	36	7.4	444	3500 K	70 - 75	120°	24V	308mA
53703 AL, BRZ	36"	54	11.1	666	3500 K	70 - 75	120°	24V	463mA
53704 AL, BRZ	48"	72	14.8	888	3500 K	70 - 75	120°	24V	617mA
53710 AL, BRZ	6"	10	1.85	122	5000 K	70 - 75	120°	24V	77mA
53711 AL, BRZ	12"	18	3.7	244	5000 K	70 - 75	120°	24V	154mA
53712 AL, BRZ	24"	36	7.4	488	5000 K	70 - 75	120°	24V	308mA
53713 AL, BRZ	36"	54	11.1	732	5000 K	70 - 75	120°	24V	463mA
53714 AL, BRZ	48"	72	14.8	976	5000 K	70 - 75	120°	24V	617mA

Model Number	Wattage	Maximum Run	Wiring Diagram
53311, 53313, 53318	60 Watts	13'	5
53286	96 Watts	22'	5
53314	100 Watts	22'	5
53287	150 Watts	32'	5

Wiring Diagram on page 45

3500 K 120°	
Distance	Foot Candles
12in	43.77
24in	12.01
36in	5.46
48in	3.16

5000 K 120°	
Distance	Foot Candles
12in	63.59
24in	17.96
36in	8.27
48in	4.67

Shown using 1 foot section of Channel Star 24      Shown using 1 foot section of Channel Star 24



## 6-Pin 4-Way Connector



- 53350** 1.5"L x 1.5"W x .25"H
- Creates a power block for branching between 24V Driver and 24V Dimming Controller
  - Includes two 6-Pin Male End Caps and one 6-Pin Male/Male Adapter

## 24V Dimming Controller



- 53393** 4"L x 2.5"W x .8"H
- Full range dimming and on/off
  - RF remote included
  - Installs between 24V Driver and Channel Star 24
  - 4" 6-Pin power input cord, 72" 6-Pin signal output cord
  - Compatible with drivers 53313 and 53318

## 6-Pin Connecting Cords



- 53465** 5"L x .75"W x .25"H  
**53467** 13"L x .75"W x .25"H  
**53468** 73"L x .75"W x .25"H
- Extend distance between 24V Driver, 24V Dimming Controller and Channel Star 24

## 4-Pin 4-Way Connector



- 53263** 1.5"L x 1.5"W x .25"H
- Allows for L, T and X installations between 24V Dimming Controller and Channel Star 24 with connecting cords
  - Includes two 4-Pin Male End Caps and one 4-Pin Male/Male Adapter

## 4-Pin to 6-Pin Adapter Cord with On/Off Switch



- 53353** 6"L x 1"W x .5"H
- 6-Pin female to 4-Pin male
  - Used to turn Channel Star 24 on and off when not controlled by a 24V Dimming Controller or by a wall switch

## Mounting Clips



- 53354** 1"L x 1"W x .5"H
- Additional clips for mounting Channel Star 24 to surface
  - Package of 4

## Plastic Wire Clip



- 53255** 1"L x .5"W x .25"H
- Secures to surface connecting cords and input/output cords of drivers, controllers and amplifiers
  - Backed with 3M adhesive
  - Package of 10

## 6-Pin Rough-In Terminal Block



- 53258** 4"L x .75"W x .5"H
- Rough in for new installation construction between 24V Driver and 24V Dimming Controller
  - Female connector on one end with two wire quick connector on opposite end
  - Includes one 6-Pin Male/Male Adapter and installation screw

## 4-Pin Connecting Cords



- 53265** 3"L x .5"W x .25"H  
**53266** 7"L x .5"W x .25"H  
**53267** 13"L x .5"W x .25"H  
**53268** 73"L x .5"W x .25"H
- Connect sections of Channel Star 24 together

## Heat Shrink Wrap



- 53256** 3"L x 1"W x .25"H
- Secure connections when in walls
  - Waterproof for damp locations
  - Heat gun required for installation
  - Package of 10

## 4-Pin to 6-Pin Adapter Cord



- 53352** 6"L x 1"W x .5"H
- 6-Pin female to 4-Pin male
  - Included in every 24", 36" and 48" section of Channel Star 24

## 45° Angle Mounting Clips



- 53355** 1"L x 1"W x .75"H
- Additional clips for mounting Channel Star 24 to surface at 45° angle
  - Package of 4

## Drivers

(See page 41-42 for detailed driver information)

<b>53311</b>	24V 60w Class II Dimmable Driver	<b>53286</b>	24V 96w Class II Driver
<b>53313</b>	24V 60w Plug-In Driver	<b>53314</b>	24V 100w Class II Dimmable Driver
<b>53318</b>	24V 60w Class II Driver	<b>53287</b>	24V 150w Driver

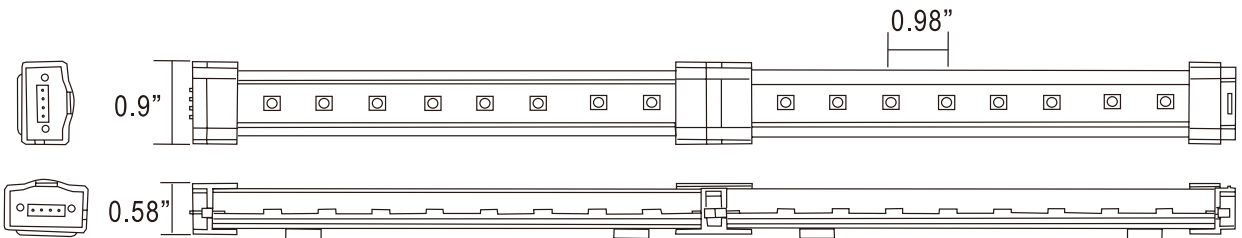
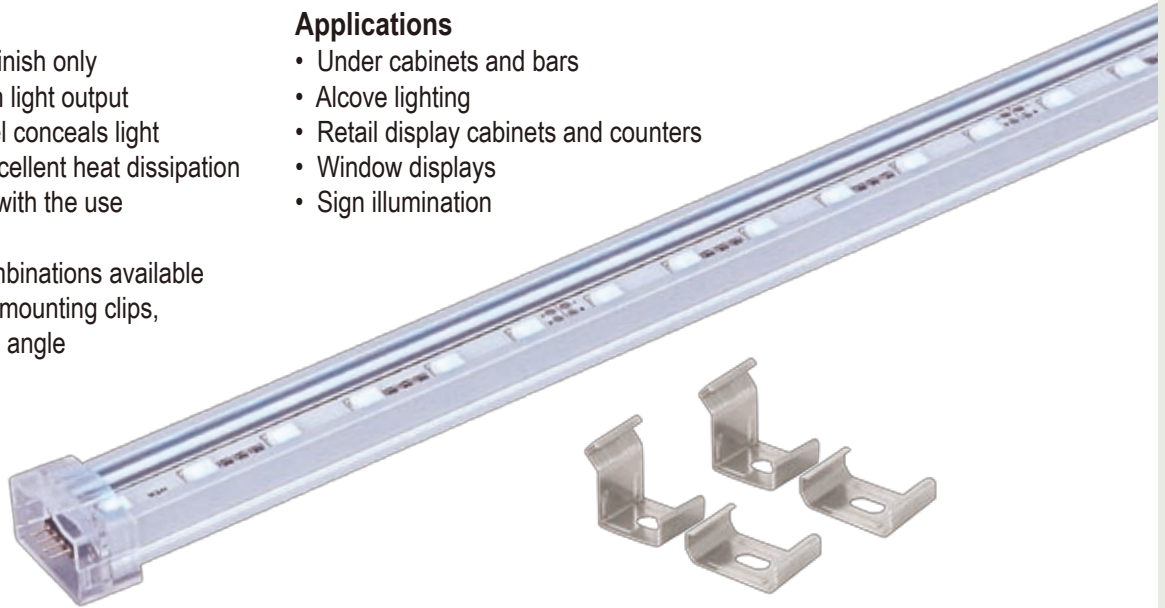
# StarStrand® Rainbow Channel Star 24

## Features

- Available in Aluminum finish only
- Clear lens for maximum light output
- Rigid aluminum channel conceals light source and provides excellent heat dissipation
- Connect end to end or with the use of connecting cords
- Thousands of color combinations available
- Includes easy to install mounting clips, both downward and 45° angle

## Applications

- Under cabinets and bars
- Alcove lighting
- Retail display cabinets and counters
- Window displays
- Sign illumination



Item	Length	Diodes	Wattage	Lumens	Beam	Voltage	Current
53720AL	6"	10	2.88	R:30 G:50 B:15	120°	24V	120mA
53721AL	12"	18	4.32	R:54 G:90 B:27	120°	24V	180mA
53722AL	24"	36	8.64	R:108 G:180 B:30	120°	24V	360mA
53723AL	36"	54	12.96	R:162 G:270 B:45	120°	24V	540mA
53724AL	48"	72	17.28	R:216 G:360 B:60	120°	24V	720mA

Model Number	Wattage	Maximum Run	Wiring Diagram
53313, 53318	60 Watts	13'	5
53286	96 Watts	22'	5
53287	150 Watts	30'	5

Wiring Diagram on page 45

## Drivers

(See page 41-42 for detailed driver information)

- 53313 24V 60w Plug-In Driver
- 53318 24V 60w Class II Driver
- 53286 24V 96w Class II Driver
- 53287 24V 150w Driver

## 24V RGB Controller



- 53385**  
4"L x 2.5"W x .8"H
- Controls up to 30' of Rainbow channel Star 24 using included RF remote control
  - 4" 6-Pin power input cord, 72" 4-Pin signal output cord

## 4-Pin Rough-In Terminal Block



- 53383**  
4"L x .75"W x .5"H
- Rough in for new installation construction between 24V RGB Controller or 24V Amplifier and Rainbow Channel Star 24
  - Female connector on one end with four wire quick connector on opposite end
  - Includes one 4-Pin Male/Male Adapter and installation screw

## 6-Pin Connecting Cords



- 53465** 5"L x .75"W x .25"H  
**53467** 13"L x .75"W x .25"H  
**53468** 73"L x .75"W x .25"H
- Extend distance between 24V Driver and 24V RGB Controller or 24V amplifier

## 4-Pin 4-Way Connector



- 53263**  
1.5"L x 1.5"W x .25"H
- Allows for L, T and X installations between 24V RGB Controller or 24V amplifier and Rainbow Channel Star 24 with connecting cords
  - Includes two 4-Pin Male End Caps and one 4-Pin Male/Male Adapter

## 24V DMX512 Interface/Decoder & Standalone RGB Controller



- 53387**  
7.5"L x 4.5"W x 1.5"H
- Controls up to 30' of Rainbow channel Star 24 using included RF remote control
  - Meets DMX512 protocol and can be used as a DMX decoder
  - 4" 6-Pin power input cord, 72" 4-Pin signal output cord

## Mounting Clips



- 53354**  
1"L x 1"W x .5"H
- Additional clips for mounting Rainbow Channel Star 24 to surface
  - Package of 4

## 6-Pin 4-Way Connector



- 53350**  
1.5"L x 1.5"W x .25"H
- Creates a power block for branching between 24V Driver and 24V RGB Controller or 24V amplifier
  - Includes two 6-Pin Male End Caps and one 6-Pin Male/Male Adapter

## Plastic Wire Clip



- 53255**  
1"L x .5"W x .25"H
- Secures to surface connecting cords and input/output cords of drivers, controllers and amplifiers
  - Backed with 3M adhesive
  - Package of 10

## 6-Pin Rough-In Terminal Block



- 53258**  
4"L x .75"W x .5"H
- Rough in for new installation construction between 24V Driver and 24V RGB Controller or 24V amplifier
  - Female connector on one end with two wire quick connector on opposite end
  - Includes one 6-Pin Male/Male Adapter and installation screw

## Heat Shrink Wrap



- 53266**  
3"L x 1"W x .25"H
- Secure connections when in walls
  - Waterproof for damp locations
  - Heat gun required for installation
  - Package of 10

## 4-Pin Connecting Cords



- 53265** 3"L x .5"W x .25"H **53266** 7"L x .5"W x .25"H  
**53267** 13"L x .5"W x .25"H **53268** 73"L x .5"W x .25"H
- Extend distance between 24V RGB controller or 24V amplifier and Rainbow Channel Star 24
  - Connect sections of Rainbow Channel Star 24 together

## 24V Amplifier



- 53386**  
4"L x 2.5"W x .8"H
- Synchronizes additional runs up to 30' of Rainbow channel Star 24 to one 24V RGB Controller
  - Requires an additional 24V Driver
  - 6" 6-Pin power input cord, 6" 4-pin signal input cord, 6" 4-pin signal output cord
  - Maximum 27 amplifiers per controller

## 45° Angle Mounting Clips



- 53355**  
1"L x 1"W x .75"H
- Additional clips for mounting Rainbow Channel Star 24 to surface at 45° angle
  - Package of 4

## Rainbow Dial Controller



- 53600**  
9"W x 1.8"H
- Controls up to 30' of Rainbow Channel Star 24 using included RF remote control
  - 4" 6-Pin power input cord, 72" 4-Pin signal output cord

# Maximum Run Chart

Series	Driver Wattage	Driver Models	Max Run	Max Run Using 2-Cord Output
Basic Star	30 Watts	53302	20 Feet	.....
	60 Watts	53275, 53304, 53310	33 Feet	.....
Color Flex Star 24	60 Watts	53313	20 Feet	.....
	60 Watts	53318	20 Feet	.....
Elite Star 24	60 Watts	53311, 53313, 53318	20 Feet	.....
	96 Watts	53286	33 Feet	.....
	100 Watts	53314	33 Feet	.....
	150 Watts	53287	50 Feet	.....
	320 Watts	53288	75 Feet	105 Feet
	480 Watts	53289	75 Feet	150 Feet
Solar Star 24	60 Watts	53311, 53313, 53318	13 Feet	.....
	96 Watts	53286	22 Feet	.....
	100 Watts	53314	22 Feet	.....
	150 Watts	53287	32 Feet	.....
	320 Watts	53288	50 Feet	70 Feet
	480 Watts	53289	50 Feet	100 Feet
Ultima Star 24	60 Watts	53311, 53313, 53318	13 Feet	.....
	96 Watts	53286	22 Feet	.....
	100 Watts	53314	22 Feet	.....
	150 Watts	53287	32 Feet	.....
	320 Watts	53288	50 Feet	70 Feet
	480 Watts	53289	50 Feet	100 Feet
Rainbow Star 24	60 Watts	53313, 53318	13 Feet	.....
	96 Watts	53286	22 Feet	.....
	150 Watts	53287	30 Feet	.....
Aqua Star 24	60 Watts	53380	21 Feet	.....
	96 Watts	53316	30 Feet	.....
	150 Watts	53381	50 Feet	.....
Rainbow Aqua Star 24	60 Watts	53380	13 Feet	.....
	150 Watts	53381	30 Feet	.....
Channel Star 24	60 Watts	53311, 53313, 53318	13 Feet	.....
	96 Watts	53286	22 Feet	.....
	100 Watts	53314	22 Feet	.....
	150 Watts	53287	32 Feet	.....
Rainbow Channel Star 24	60 Watts	53313, 53318	13 Feet	.....
	96 Watts	53286	22 Feet	.....
	150 Watts	53287	30 Feet	.....

# StarStrand® 12V Drivers

## 12V 30w Class II Driver



**53302**

5.7"L x 1.9"W x 1.2"H

- Electronic direct wire driver
- 120V-264V input
- 12V, 2.5A output
- Short circuit protection, overload protection, over voltage protection
- Constant current
- Operating temperature: -4°F to 140°F
- IP64 rated
- Includes 72" 4-Pin output cord
- Class II UL1310, UL-RU certified

## 12V 60w Class II Driver



**53304**

7.1"L x 2.4"W x 1.4"H

- Electronic direct wire driver
- 120V-264V input
- 12V, 5A output
- Short circuit protection, overload protection, over voltage protection
- Constant current
- Operating temperature: -4°F to 140°F
- IP64 rated
- Includes 72" 4-Pin output cord
- Class II UL 1310, UL-RU certified

## 12V 60w Class II Plug-In Driver



**53275**

4.75"L x 2"W x 1.25"H

- Electronic plug-in driver
- 120V-240V input
- 12V, 5A output
- Short circuit protection, overload protection, over voltage protection
- Operating temperature: 32°F to 104°F
- Includes 72" 4-Pin output cord
- Class II, UL certified

# StarStrand® 12V Dimmable Drivers

## 12V 60w Class II Dimmable Driver



**53310**

6"L x 2.5"W x 2.25"H

- Magnetic direct wire driver
- 120V input
- 12V, 5A output
- Short circuit protection, overload protection
- Operating temperature: -22°F to 140°F
- Includes 72" 4-Pin output cord
- Class II UL 2108, ETL Certified
- Requires magnetic low voltage dimmer (not included)



# StarStrand® 24V Driver

## 24V 60w Plug-In Driver



**53313**

- Electronic plug-in driver
- 120V-240V input
- 24V, 2.5A output
- Short circuit protection, overload protection, over voltage protection
- Operating temperature: 32°F to 104°F
- Includes 72" 6-Pin output cord

## 24V 96w Class II Driver



**53286**

- 8"L x 3.8"W x 1.5"H
- Electronic direct wire driver
- 120V-264V input
- 24V, 4A output
- Short circuit protection, overload protection, over temperature, over voltage protection
- Power factor control, constant current
- Operating temperature: -22°F to 122°F
- Includes 72" 6-Pin output cord
- Class II UL 1310, UL-RU certified

## 24V 60w Class II Driver



**53318**

- 7.1"L x 2.4"W x 1.4"H
- Electronic direct wire driver
- 120V-264V input
- 24V, 2.5A output
- Short circuit protection, overload protection, over voltage protection
- Constant current
- Operating temperature: -4°F to 140°F
- IP64 rated
- Includes 72" 6-Pin output cord
- Class II UL 1310, UL-RU certified

## 24V 150w Driver



**53287**

- 7.75"L x 3.75"W x 1.5"H
- Electronic direct wire driver
- 120V/240V input
- 24V, 6.5A output
- Short circuit protection, overload protection, over voltage protection
- Operating temperature: 14°F to 140°F
- Includes 72" 6-Pin output cord
- UL 1012, UL-RU certified

## 24V 480w Driver



**53289**

- 11"L x 5"W x 1.7"H
- Electronic direct wire driver
- 120V-264V input
- 24V, 20A output
- Short circuit protection, overload protection, over temperature, over voltage protection
- Power Factor Control, Constant current
- Operating temperature: -4°F to 140°F
- Includes two 72" 6-Pin output cords
- UL 60950-1, UL-RU certified

## 24V 320w Driver



**53288**

- 8.5"L x 4.5"W x 2.25"H
- Electronic direct wire driver
- 120V/240V input
- 24V, 12.5A output
- Short circuit protection, overload protection, over temperature, over voltage protection
- Operating temperature: 14°F to 140°F
- Includes two 72" 6-Pin output cords
- UL 60950-1, UL-RU certified

# StarStrand® 24V Weatherproof Drivers

## 24V 100w Weatherproof Class II Dimmable Driver



- 53316**  
6"L x 2.5"W x 2.25"H
- Magnetic direct wire driver
  - 120V input
  - 24V, 4A output
  - Short circuit protection, overload protection
  - Operating temperature: -22°F to 140°F
  - Includes 72" weatherproof output cord
  - Class II UL 2108, ETL Certified
  - Requires magnetic low voltage dimmer (not included)

## 24V 60w Weatherproof Class II Driver



- 53380**  
7.75"L x 2.5"W x 1.5"H
- Electronic direct wire driver
  - 120V-277V input
  - 24V, 2.5A output
  - Short circuit protection, overload protection, over temperature, over voltage protection
  - Power factor control, constant current
  - Operating temperature: -22°F to 158°F
  - IP67 rated
  - Includes 72" weatherproof output cord
  - Class II UL 879, 8750, 1310, UL-RU certified

## 24V 150w Weatherproof Class II Driver



- 53381**  
8.75"L x 2.75"W x 1.5"H
- Electronic direct wire driver
  - 120V-277V input
  - 24V, 6.3A output
  - Short circuit protection, overload protection, over temperature, over voltage protection
  - Power factor control, constant current
  - Operating temperature: -22°F to 158°F
  - IP67 rated
  - Includes 72" weatherproof output cord
  - Class II UL 1012, 60950-1, UL-RU certified

# StarStrand® 24V Dimmable Drivers

## 24V 60w Class II Dimmable Driver



- 53311**  
6"L x 2.5"W x 2.25"H
- Magnetic direct wire driver
  - 120V input
  - 24V, 2.5A output
  - Short circuit protection, overload protection
  - Operating temperature: -22°F to 140°F
  - Includes 72" 6-Pin output cord
  - Class II UL 2108, ETL Certified
  - Requires magnetic low voltage dimmer (not included)

## 24V 100w Class II Dimmable Driver



- 53314**  
6"L x 2.5"W x 2.25"H
- Magnetic direct wire driver
  - 120V input
  - 24V, 4A output
  - Short circuit protection, overload protection
  - Operating temperature: -22°F to 140°F
  - Includes 72" 6-Pin output cord
  - Class II UL 2108, ETL Certified
  - Requires magnetic low voltage dimmer (not included)

## 24V 100w Weatherproof Class II Dimmable Driver



- 53316**  
6"L x 2.5"W x 2.25"H
- Magnetic direct wire driver
  - 120V input
  - 24V, 4A output
  - Short circuit protection, overload protection
  - Operating temperature: -22°F to 140°F
  - Includes 72" weatherproof output cord
  - Class II UL 2108, ETL Certified
  - Requires magnetic low voltage dimmer (not included)

# StarStrand® Controllers



## 24V RGB Controller

**53385**

6"L x 2.5"W x 1"H

- Controls color, color intensity and speed
- Controls 30' of Rainbow Star 24 or Rainbow Channel Star 24
- RF remote control included
- 4" 6-Pin input cord, 72" 4-Pin output cord

### *Remote Functionality*

Six button RF remote controls include on/off, brightness up/down, speed up/down, mode choice

### *Modes - 10*

Static red, static yellow, static green, static cyan, static blue, static purple, static white, single color rotate, red-green-blue single color jump, colors gradually change in circles



## 24V Weatherproof RGB Controller

**53389**

5"L x 2.5"W x 1"H

- Controls color, color intensity and speed
- Controls 30' of Rainbow Aqua 24
- RF remote control included
- IP65 rated (not submersible)

### *Remote Functionality*

Four button RF remote controls include on/off, speed up/down, mode choice

### *Modes - 9*

Static red, static yellow, static green, static cyan, static blue, static purple, static white, single color jump, colors gradually change



## 24V Dimming Controller

**53393**

5"L x 2.5"W x 1"H

- Full range dimming
- Controls up to max run of Ultima Star 24, Solar Star 24 Elite Star 24 and Channel Star 24
- RF remote control included
- All 24V Dimming Controllers are on the same RF frequency
- Compatible with drivers 53313, & 53318

### *Remote Functionality*

Six button RF remote controls include on/off, brightness up/down

## 24V DMX512 Interface/Decoder & Standalone RGB Controller



### 53387

7.5"L x 4.5"W x 1.5"H

- Meets DMX512 protocol and can be used as DMX interface/decoder
- As a standalone controller, it can control color, color intensity and speed
- Controls 30' of Rainbow Star 24 or Rainbow Channel Star 24
- RF remote control included
- 4" 6-Pin input cord, 72" 4-Pin output cord, and 12" XLR3 connecting cord
- XLR3 male and female interface to connect multiple units together

### Modes - 33

Static red, static green, static blue, static yellow, static purple, static cyan, static white, 7-color jump, 6-color jump, 7-color flick, red/green jump, red/blue jump, green/blue jump, red/green/blue jump, red/green flick, red/blue flick, green/blue flick, red/green/blue flick, red/green/blue smooth, red/green smooth, green/blue smooth, red/green/blue gradual, red/green gradual, red/blue gradual, green/blue gradual, red gradual, green gradual, blue gradual, red dim mode, green dim mode, blue dim mode, red/green/blue mix

### Remote Functionality

Four button RF remote controls include mode choice, mode set, up and down



## Rainbow Dial Controller

### 53600

9"W x 1.8"H

- 16 color patterns
- Dimmable while on static colors
- Pause functions while doing skipping or gradual changes
- 50 levels for brightness adjustment
- 50 levels for speed adjustment
- Remote is powered with a rechargeable battery
- Charger and holder are included
- Additional Rainbow Dial RGB Controller available 53601

### Remote Functionality

Multi-Function remote where the color id displayed in the center of the dial, allowing the user to not have to be located in the view of the tape.

### Modes - 16

Static red, static green, static blue, static yellow, static purple, static cyan, static white, colors quickly change, red fades, green fades, blue fades, yellow fades, purple fades, cyan fades, white fades, colors gradually change



## 24V Color Flex Controller

### 53398

4"W x 4"L x 2"H

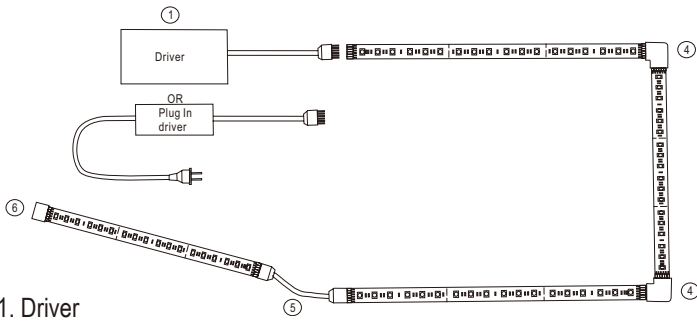
- Controls up to 20' of Color Flex Star 24 using RF remote control or wall controller, both which are included
- Adjusts color temperature from 2900 K to 5500 K
- 4" 6-Pin power input cord, 72" 4-Pin signal output cord

### Remote Functionality

Eight button RF remote controls included on/off, color temperature selection, speed up/down, brightness up/down and pause capability

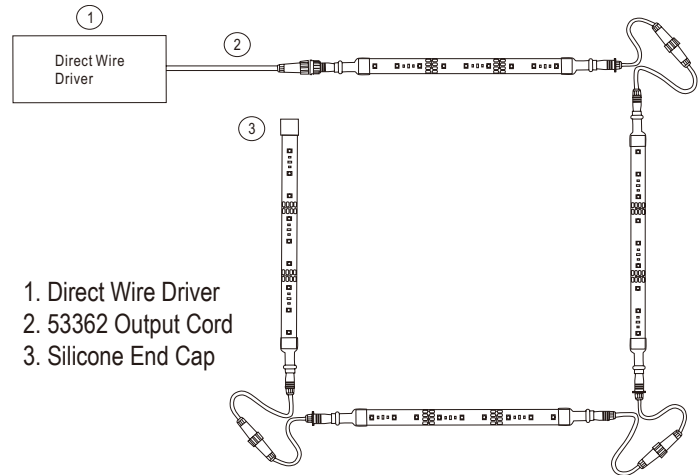
# 24V Diagram

## 1. Elite/Solar/Ultima Star 24



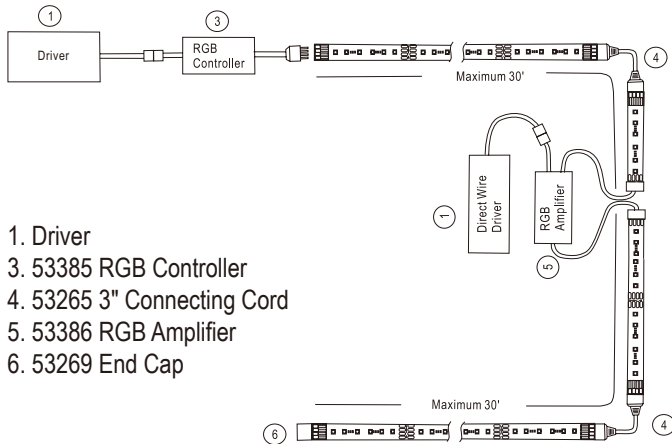
1. Driver
4. 53464 90° connector
5. 53465 5" Connector cord
6. 53469 End Cap

## 2. Aqua Star 24



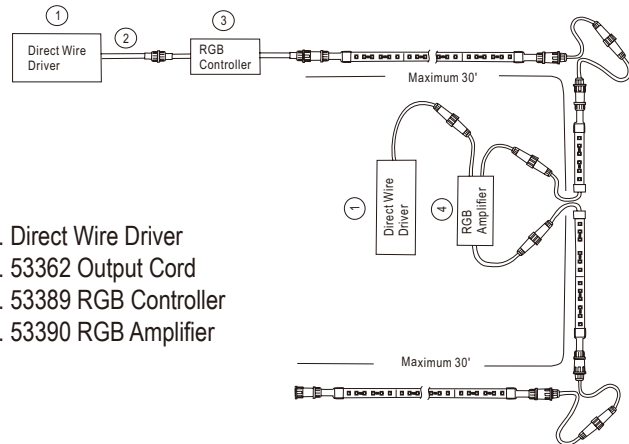
1. Direct Wire Driver
2. 53362 Output Cord
3. Silicone End Cap

## 3. Rainbow Star 24



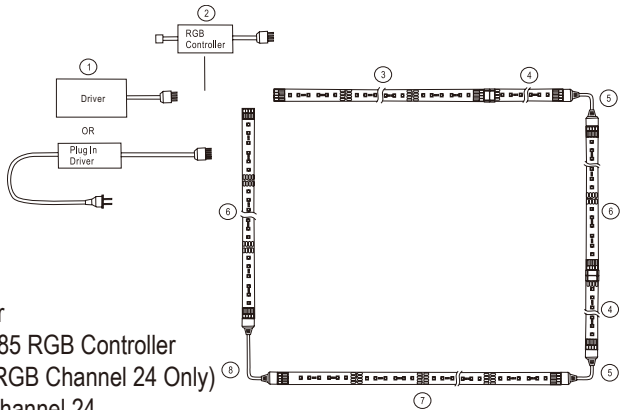
1. Driver
3. 53385 RGB Controller
4. 53265 3" Connecting Cord
5. 53386 RGB Amplifier
6. 53269 End Cap

## 4. Rainbow Aqua Star 24



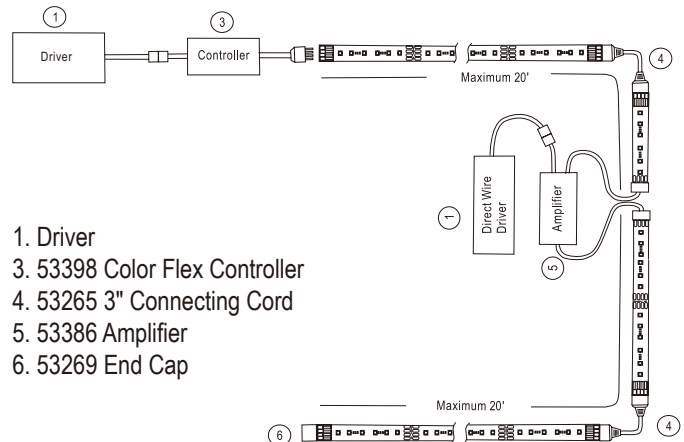
1. Direct Wire Driver
2. 53362 Output Cord
3. 53389 RGB Controller
4. 53390 RGB Amplifier

## 5. RGB Channel/Channel Star 24



1. Driver
2. E53385 RGB Controller  
(For RGB Channel 24 Only)
3. 36" Channel 24
4. 12" Channel 24
5. 53265 3" Connecting cord
6. 24" Channel 24
7. 48" Channel 24
8. 53267 13" Connecting Cord

## 6. Color Flex Star 24



1. Driver
3. 53398 Color Flex Controller
4. 53265 3" Connecting Cord
5. 53386 Amplifier
6. 53269 End Cap

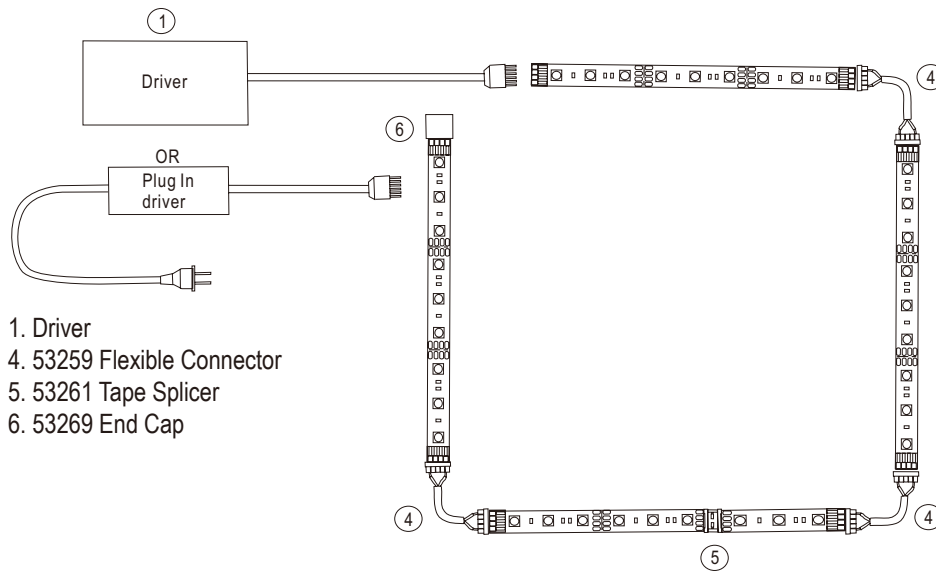


# 24V Installation and Design Guidelines

- Elite Star 24, Solar Star 24, Ultima Star 24, Aqua Star 24, Rainbow Star 24, Rainbow Aqua Star 24 and Color Flex Star 24 can be field cut every 4". Once the tape is cut you CANNOT add a power connector or rejoin to start section.
- Polarity must be maintained. Each tape has + positive pin. Connectors are marked with + symbol. Positive polarity must be maintained or a section will not light. It is recommended to install all sections and power up to make sure polarity is correct before adhering to surface.
- Use the 4-Pin 4-Way Connector or 6-Pin 4-Way Connector to get to 90 degree angles and turns. Connector Cords and the 6-Pin 90 degree Connector can also be used for corners and around obstacles. IT IS NOT RECOMMENDED TO BEND TAPE MORE THAN 45 DEGREES.
- 4-Pin 4-Way Connector or 6-Pin 4-Way Connector can also be used to power branched runs up to the maximum. Positioning of the driver is critical to limit the amount of drivers required for each installation.
- Connector Cords can be used between the driver and the first tape section, driver and controller/amplifier, controller/amplifier and first tape section, between sections, to go around corners and to extend runs.
- Channel can be used to install on irregular surfaces and also areas where tape will be visible and needs to be concealed.
- End Caps should be used at every termination whether tape is cut or not.
- 24V RGB Controller is necessary for every Rainbow Star 24 and Rainbow Channel Star 24 installation and is installed after the driver and before the first section of Rainbow Star 24 tape or Rainbow Channel Star 24. 24V RGB Controller will only work on Rainbow Star 24 or Rainbow Channel Star 24.
- 24V Weatherproof RGB Controller is necessary for every Rainbow Aqua 24 installation and is installed after the driver and before the first section of Rainbow Aqua 24 tape. 24V Weatherproof RGB Controller will only work on StarStrand Rainbow Aqua 24.
- 24V Color Flex Controller is necessary for every Color Flex Star 24 installation and is installed after the driver and before the first section of Color Flex 24 tape. 24V Weatherproof RGB Controller will only work on Color Flex Star 24.
- 24V Dimming Controller will work on Elite Star 24, Ultima Star 24 and Channel Star 24. 24V Dimming Controller is installed after the driver and before the first section of tape or channel.
- 24V 96w Direct Wire Driver, 24V 60w Dimmable Direct Wire Driver, 24V 100w Dimmable Direct Wire Driver, 24V 100w Weatherproof Dimmable Direct Wire Driver, 24V 60w Weatherproof Driver, and 24V 150w Weatherproof Driver are Class II drivers.
- 4-Pin Connector Cords, input cords and output cords are made from 22 gauge wire. 6-Pin Connector Cords, input cords and output cords are made from 20 gauge wire.
- Connector Cords are not CL2/CL3 rated. This means that the Connector Cords are not fire rated for in-wall installations.
- In order to do an in-wall installation for StarStrand, the customer will need to purchase the 4-Pin Rough In Terminal Block, 6-Pin Rough In Terminal Block or 4-Pin RGB Rough In Terminal Block and place the blocks on each side of CL2/CL3 rated low voltage wire. A sample installation would be Romex/Line > Driver > Driver Output Cord > Rough In Terminal Block > Wall > CL2/CL3 rated low voltage wire > Wall > Rough in Terminal Block > Tape
- If splicing connector cords is required, when splicing the 4-Pin connecting cords, the Red/Blue wire are Negative, the Black/Green wire are Positive. When splicing the 6-Pin connecting cords, the Blue wire is Negative, the Brown wire is Positive.
- The maximum amount of cord (driver output cord, connecting cord, controller/amplifier input cord, controller/amplifier output cord) that can be used in any StarStrand 12V or StarStrand 24V run is 24 total feet before any voltage drop will occur. Connecting cords can also be used to increase the distance between the driver and tape, driver and controller/amplifier, controller/amplifier and tape, not to exceed 24 total feet.
- StarStrand LED tape can operate in an environment between 14°F and 122°F.
- The Aqua 24 IP68 connectors are roughly .75" thick.
- Use aftermarket industrial grade silicone that meets the requirements of the climate when installing Aqua Star 24 or Rainbow Aqua Star 24

# 12V Diagram

## 7. Basic Star



## 12V Installation and Design Guidelines

- Basic Star can be field cut every 2”.
- Polarity must be maintained. Each tape has + positive pin. Connectors are marked with + symbol. Positive polarity must be maintained or a section will not light. It is recommended to install all sections and power up to make sure polarity is correct before adhering to surface.
- Use the 4-Pin 4-Way Connector and 2” sections to get to 90 degree angles and turns. Connector Cords can also be used for corners and around obstacles. IT IS NOT RECOMMENDED TO BEND TAPE MORE THAN 45 DEGREES.
- The 4-Pin 4-Way Connector can also be used to power branched runs up to the maximum. Positioning of the 12V driver is critical to limit the amount of drivers required for each installation. Position 12V driver in middle of, or corners of, runs and to power the 4-Pin 4-Way Connector.
- Connector Cords can be used between the driver and the first tape section, driver and dimming controller, between sections, to go around corners and to extend runs.
- 36” Universal Aluminum Channel can be used to install on irregular surfaces and also areas where tape will be visible and needs to be concealed.
- 4-Pin Male End Cap and 4-Pin Silicone End Cap should be used at every termination whether tape is cut or not.
- 12V Dimming Controller will work on Basic. 12V Dimming Controller is installed after the driver and before the first section of tape.
- 12V 60w Indoor Plug-In Driver, 12V 60w Direct Wire Driver, 12V 60w Dimmable Direct Wire Driver are Class II Drivers.
- 4-Pin Connector Cords, Input Cords and Output Cords are made from 22 gauge wire.
- Connector Cords are not CL2/CL3 rated. This means that the connection cords are not fire rated for in-wall installations.
- In order to do an in-wall installation for StarStrand, the customer will need to purchase the 4-Pin Rough In Terminal Block” and place the blocks on each side of CL2/CL3 rated low voltage wire. A sample installation would be Romex/Line > Driver > Driver Output Cord > Rough In Terminal Block > Wall > CL2/CL3 rated low voltage wire > Wall > Rough in Terminal Block > Tape
- If splicing connector cords is required, when splicing, the Red/Blue wire are Negative, the Black/Green wire are Positive.
- The maximum amount of cord (driver output cord, connecting cord, dimming controller input cord, dimming controller output cord) that can be used in any 12V run is 24 total feet before any voltage drop will occur. Connecting cords can also be used to increase the distance between the driver and tape, driver and dimming controller, dimming controller and tape, not to exceed 24 total feet.
- LED tape can operate in an environment between 14°F and 122°F.



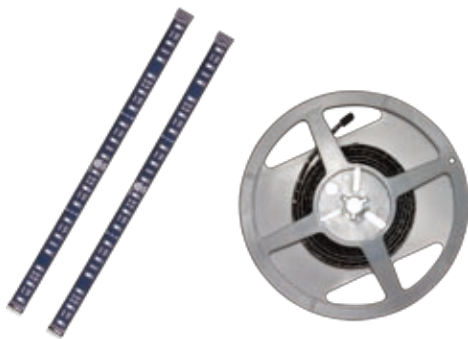
**53400**  
**12" Channel Star 24 Intro Kit**  
 7.5" W x 11.75"L x 2.5" H  
 Includes:  
 • Two 6" Channel Star 24 3500 K LED Channel  
 • One On/Off Switch  
 • One 60w 24v Plug-In Driver  
 • Installation Hardware



**53401**  
**8" Elite Star 24 Intro Kit**  
 5.25" W x 10.25"L x 2.5" H  
 Includes:  
 • Two 4" Elite Star 24 LED Tape  
 • One 60w 24v Plug-In Driver



**53402**  
**8" Ultima Star 24 Intro Kit**  
 5.25" W x 10.25"L x 2.5" H  
 Includes:  
 • Two 4" Ultima Star 24 LED Tape  
 • One 60w 24v Plug-In Driver



**53403**  
**84" Elite Star 24 Extension Kit**  
 Includes:  
 • One 60" Elite Star 24 LED Tape  
 • Two 12" Elite Star 24 LED Tape



**53404**  
**72" Elite Star 24 Starter Kit**  
 Includes:  
 • Six 12" Elite Star 24 LED Tape  
 • Two 5" Connecting Cords  
 • One 60w 24v Plug-In Driver

# StarStrand® Kits



**53406**

## 216" Elite Star 24 Starter Kit

Includes:

- Two 60" Elite Star 24 LED Tape
- Eight 12" Elite Star 24 LED Tape
- Two 5" Connecting Cords
- One 60w 24v Pug-In Driver



**53405**

## 120" Elite Star 24 Starter Kit

Includes:

- One 60" Elite Star 24 LED Tape
- Five 12" Elite Star 24 LED Tape
- Two 5" Connecting Cords
- One 60w 24v Pug-In Driver



**53407**

## 360" Elite Star 24 Starter Kit

Includes:

- One 60" Elite Star 24 LED Tape
- One 240" Elite Star 24 LED Tape
- Five 12" Elite Star 24 LED Tape
- Two 5" Connecting Cords
- One 150w 24v Direct Wire Driver



**53409**

## 360" Rainbow Aqua Star 24 Starter Kit

Includes:

- One 300" Rainbow Aqua Star 24 LED Tape
- One 60" Rainbow Aqua Star 24 LED Tape
- One 24v Weatherproof RGB Controller
- One 150w 24v Weatherproof Direct Wire Driver
- 40 Mounting Clips



**53408**

## 600" Elite Star 24 Starter Kit

Includes:

- One 60" Elite Star 24 LED Tape
- Two 240" Elite Star 24 LED Tape
- Five 12" Elite Star 24 LED Tape
- Two 5" Connecting Cords
- One 150w 24v Direct Wire Driver



# DISPLAYS & SELLING CASES



**A. CounterMax MX-L Series  
DSP022L**  
24"W x 12"H x 12"L

**F. CounterMax Display Riser  
DSP024WT**  
24"W x 6"H x 9"L

**B. CounterMax MX-L120DC Series  
DSP022L120DC**  
24"W x 12"H x 12"L

**G. CounterMax Storage Cabinet  
DSP025WT**  
24"W x 30"H x 18"L

**K. CounterMax Selling Case  
DSP016ALSV**  
27"W x 7"H x 16.5"L

**C. CounterMax MX-X12 Series  
DSP022X12**  
24"W x 12"H x 12"L

**H. CounterMax MX-LD Series  
DSP015SV**  
14"W x 12"H x 6"L

**L. CounterMax/StarStrand Selling Case  
DSP019AL**  
16.5"W x 4.75"H x 12.5"L

**D. CounterMax MX-X120 Series  
DSP022X120**  
24"W x 12"H x 12"L

**I. CounterMax MX-X120c Series  
DSP022X120C**  
24"W x 12"H x 12"L

**M. StarStrand Channel Star 24\*\*  
DSP014SV**  
14"W x 12"H x 6"L

**E. CounterMax MX-FD Series  
DSP022FD**  
24"W x 12"H x 12"L

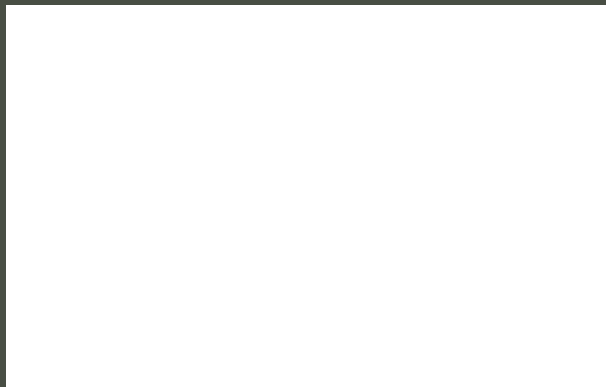
**J. StarStrand LED Tape\*  
DSP018SV**  
14"W x 12"H x 6"L

**N. CounterMax MX-L-LPC Series  
DSP022LLPC**  
24"W x 12"H x 12"L

\*Includes Basic Star, Ultima Star 24, Elite Star 24, Solar Star 24, Color Flex Star 24, Rainbow Star 24, Aqua Star 24 and Rainbow Aqua Star 24.

\*\*Includes Channel Star 24 3000 K, Channel Star 24 5000 K and Rainbow Channel Star 24.





[www.maximlighting.com](http://www.maximlighting.com)

**Maxim Lighting International**

253 North Vineland Avenue  
City of Industry, California  
91746  
USA

General Info: 626.956.4200  
Customer Service: 800.486.2946  
General Fax: 626.956.4235

Dallas Trade Mart: 214.748.8455  
Showroom: 3901  
Email: [info@maximlighting.com](mailto:info@maximlighting.com)  
Web: [www.maximlighting.com](http://www.maximlighting.com)

3M brand is a trademark and copyright of 3M.  
CounterMax, Maxim Lighting, StarStrand and  
StarChip are trademarks of Maxim Lighting  
International, Inc. All designs, logos and  
images © 2012 Maxim Lighting International,  
Inc. All Rights Re-served. LMXBRO1203 1203