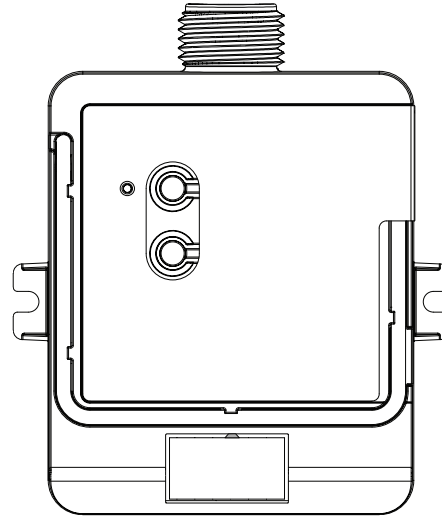


RF Relay Module with Softswitch®

The RF Relay Module with Softswitch® is a radio frequency (RF) device that uses Lutron® patented Softswitch® technology to control up to 16 A of general-purpose loads based on input from RadioRA® 2 and HomeWorks® QS systems.

- Lutron® patented Softswitch® technology prevents arcing of relay contacts, extending product lifetime.
- Various operating voltages available — refer to model number chart below for details on voltage requirements.
- Capable of switching 16 A of general-purpose loads.
- Utilizes Lutron® Clear Connect® RF Technology — refer to model number chart below for frequency band data and Lutron® system compatibility.
- Mounts to an electrical junction box through a 1/2 in or 21 mm trade-size knockout opening.
- Complies with requirements for use in a compartment handling environmental air (plenum) per NEC® 2011 300.22(C)(3) (LMJ- model only).



Models

Model Number	Region	Operating Voltage	Frequency Band	Compatible Systems
LMJ-16R-DV-B	U.S.A., Canada, Mexico	120 / 277 V~	431.0–437.0 MHz	RadioRA® 2, HomeWorks® QS
LMK-16R-DV-B	Europe, U.A.E.	220–240 V~	868.125–869.850 MHz	

NOTE: Contact Lutron for frequency band compatibility for your geographic region if it is not indicated above.

RF Relay Module with Softswitch®

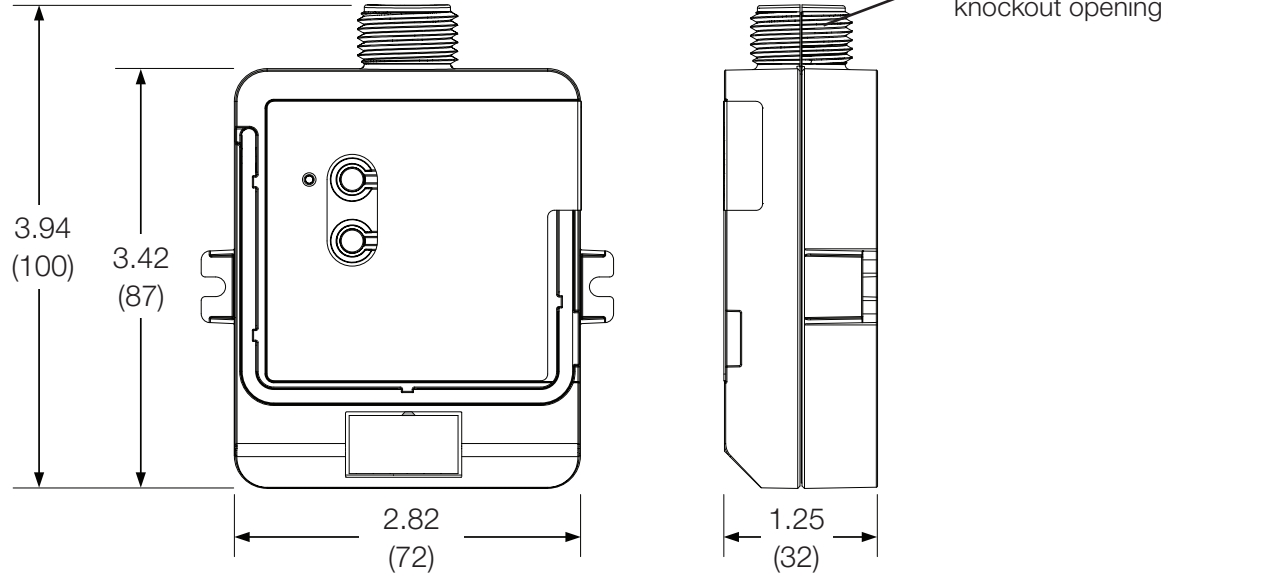
Specification

Model Number	LMJ-16R-DV-B, LMK-16R-DV-B
Power	120/277 V~ 50/60 Hz 16 A (LMJ- model) 0.5 HP at 120 V~ 1.5 HP at 277 V~ 220–240 V~ 50/60 Hz 16 A (LMK- model) motor: 6 A
Typical Power Consumption	< 1.0 W Typical power test conditions: all loads off, top LED on
Regulatory Approvals	UL®, UL 2043 Plenum Rated, FCC Approved. Complies with the limits for a Class B device, pursuant to Part 15 of the FCC rules: CSA, IC, NOM (LMJ- model) CE, TRA, CITC (LMK- model)
Environment	Ambient operating temperature: 32 °F to 131 °F (0 °C to 55 °C) Ambient operating humidity: 0% to 90% humidity, non-condensing. Indoor use only.
Communications	Operates using Clear Connect® RF Technology for reliable wireless communication; refer to model number chart on page 1 for band frequency details. RF range is 30 ft (9 m) from repeaters. Contact Lutron for applications using foil-backed or metallic ceiling tiles.
Load	Maximum load: 16 A general purpose. No minimum load requirements. Load types include, but are not limited to: Incandescent, MLV, ELV, Resistive, Inductive, Magnetic fluorescent, and Electronic fluorescent.
Surge Protection	Tested to withstand surge voltages without damage or loss of operation, in accordance with IEEE C62.41-1991 Recommended Practice on Surge Voltages in Low-Voltage AC Power Circuits.
Mounting	Mounts to an electrical junction box through a 1/2 in (21 mm) trade-size knockout opening.
Warranty	www.lutron.com/TechnicalDocumentLibrary/Warranty.pdf www.lutron.com/TechnicalDocumentLibrary/Intl_Warranty.pdf

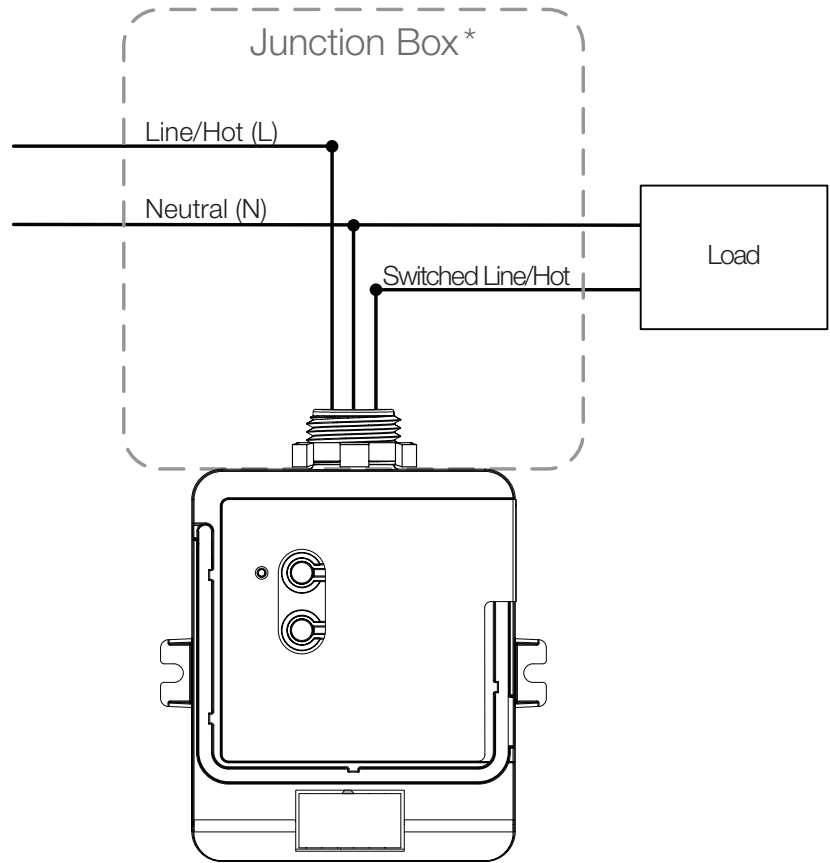
RF Relay Module with Softswitch®

Dimensions

Dimensions shown as: in (mm)



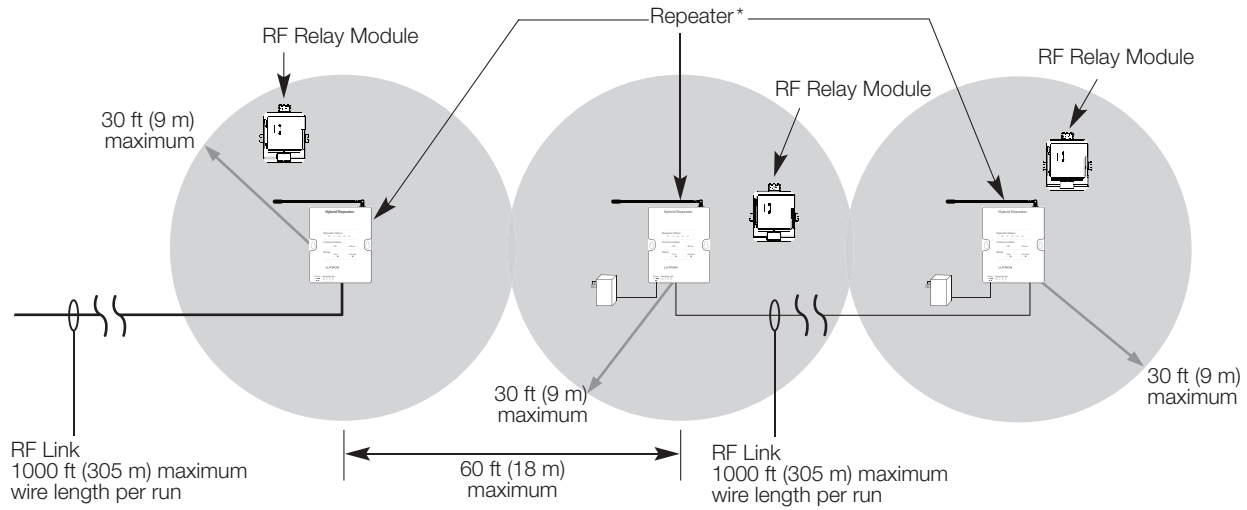
Wiring Diagram



*** NOTE:** Some applications (in USA) require the RF module to be installed inside an additional junction box. For information about how to perform this installation, please visit www.lutron.com, Application Note #423 (P/N 048423). Please consult all local and national electric codes for proper installation methods.

RF Relay Module with Softswitch® Communications

Wired and RF Configuration (RadioRA® 2 and HomeWorks® QS)



* In HomeWorks® QS systems, use Hybrid Repeaters for range extension. In RadioRA® 2, the repeater shown may be either a main repeater (1 required) or auxiliary repeater (up to 4 permitted).