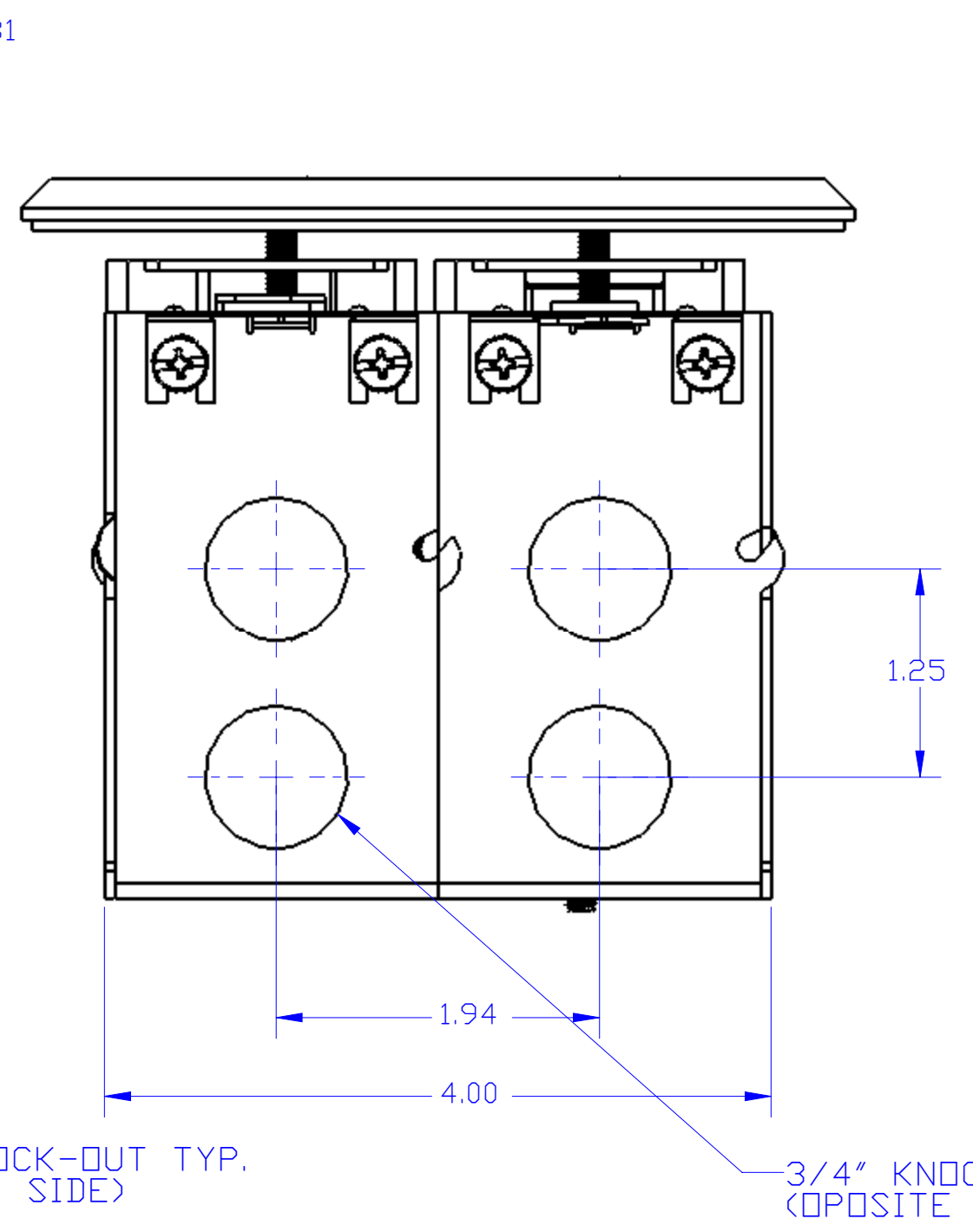
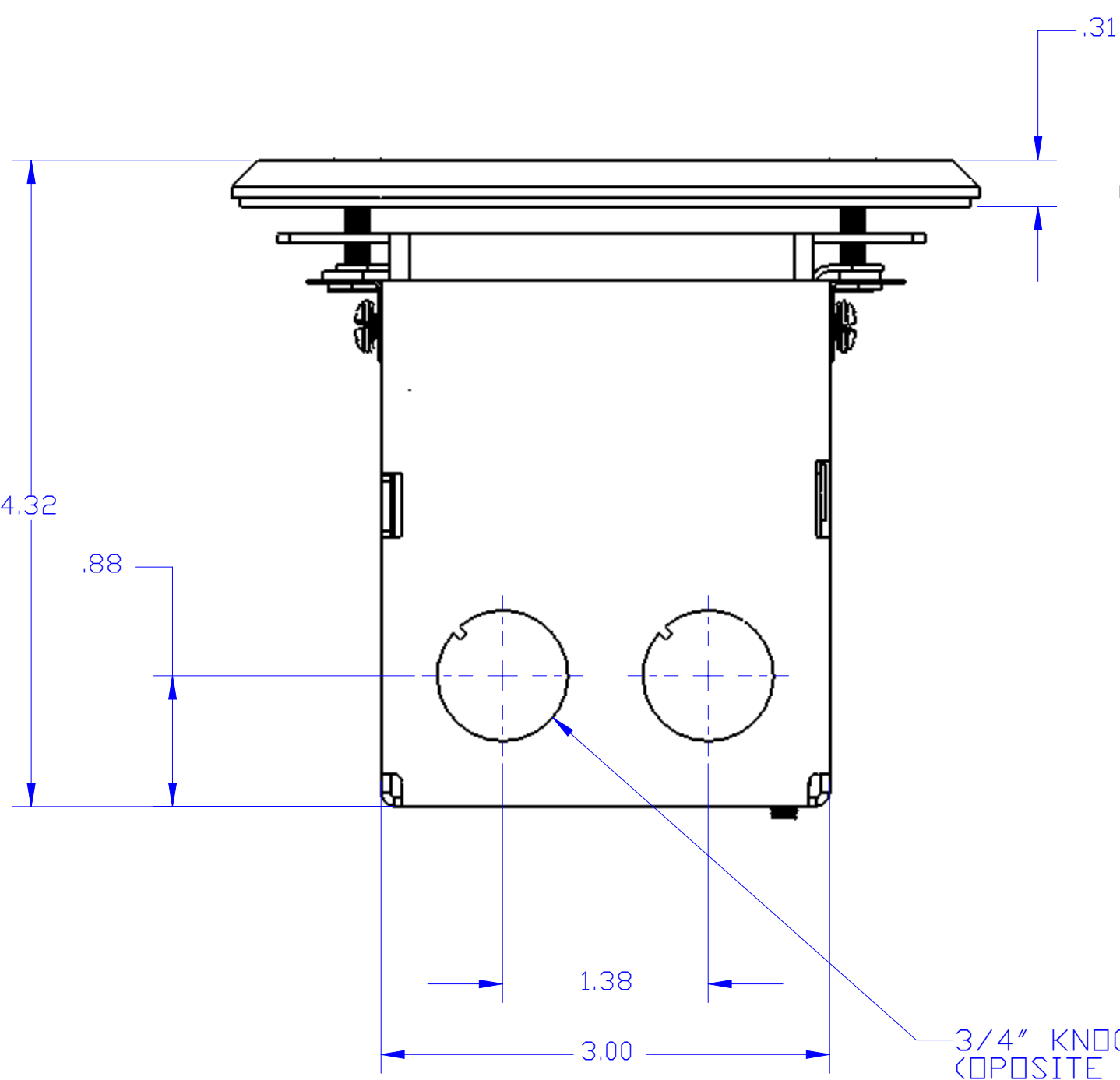
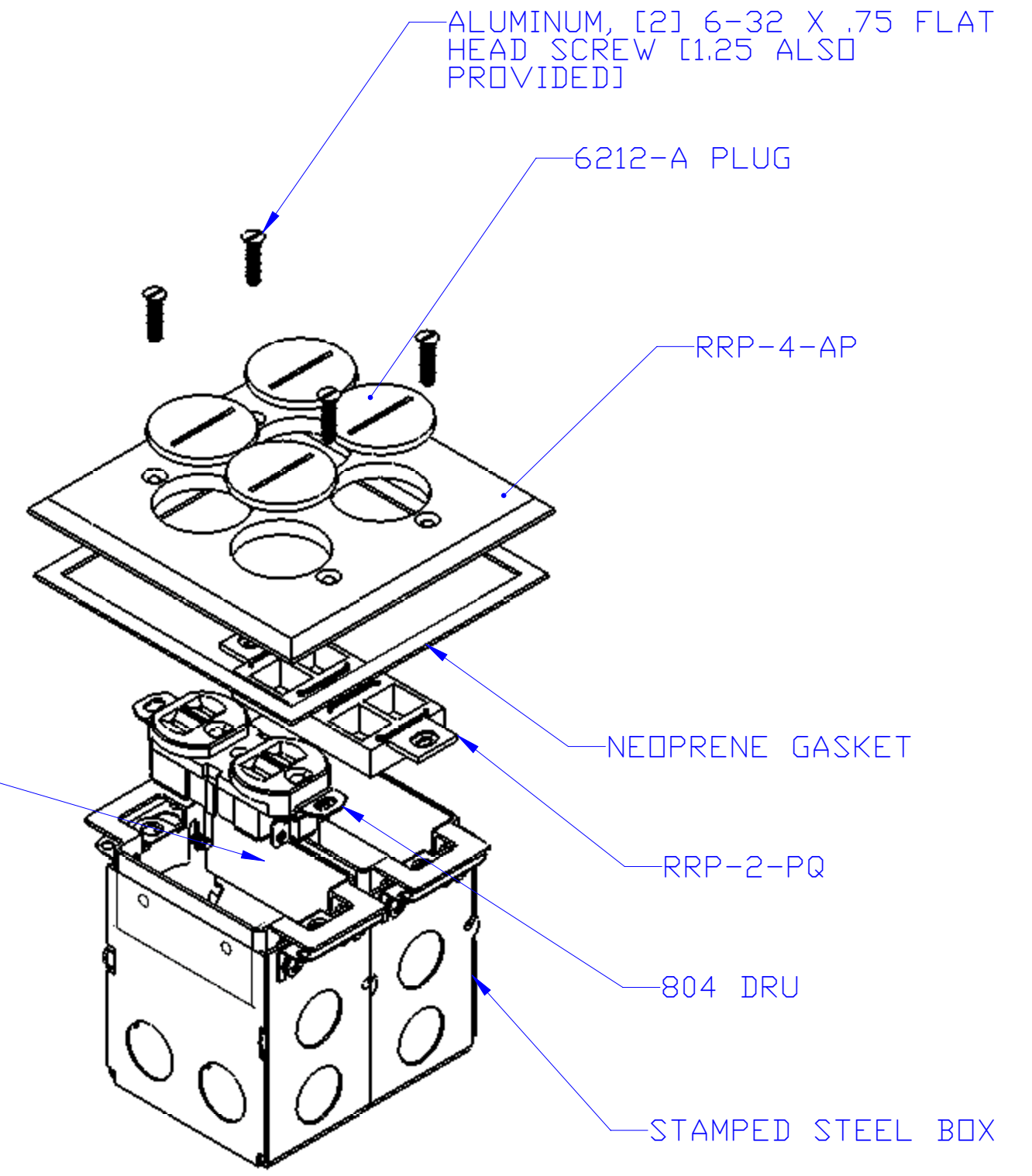
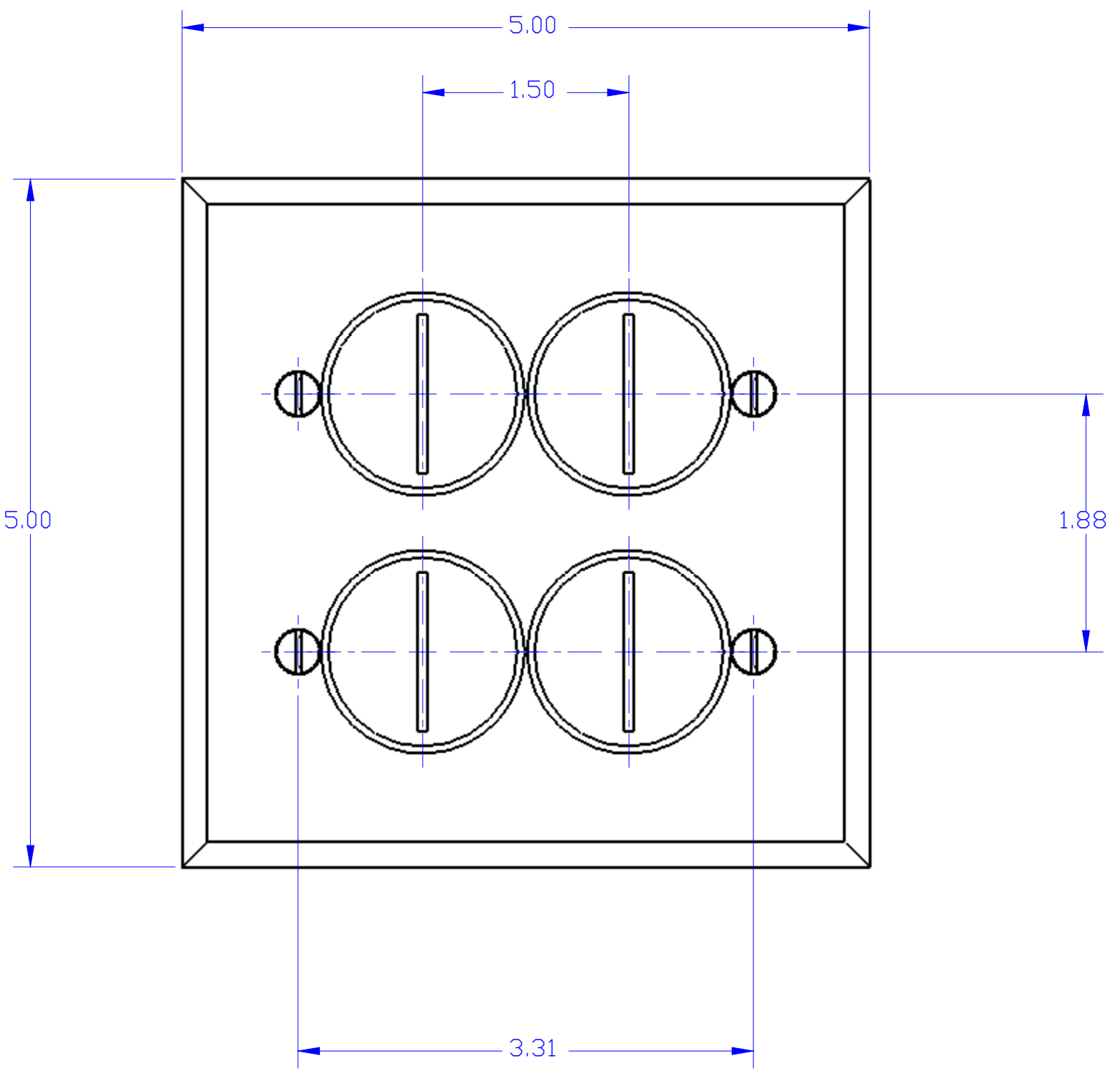
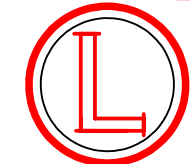


DESCRIPTION:  
 ALUMINUM, TWO GANG, DIVIDED, RECESSED,  
 FLOOR PLATE ASSEMBLY: 1 POWER & 1 QUAD  
 PORT





**LEW ELECTRIC  
 FITTINGS COMPANY**  
 SERVING THE ELECTRICAL INDUSTRY SINCE 1901  
 1801 W. St. Charles Rd. Maywood, IL 60153  
 PHONE: 708-345-2075

UNLESS OTHERWISE SPECIFIED:		NAME	DATE
DIMENSIONS ARE IN INCHES		DRAWN	PJG 2/10/2008
TOLERANCES:			
FRACTIONAL: ±			
ANGULAR: MATCH ± BEND ±			
TWO PLACE DECIMAL ±			
THREE PLACE DECIMAL ±			
INTERPRET GEOMETRIC TOLERANCING PER:			
MATERIAL		COMMENTS:	
FINISH			
DO NOT SCALE DRAWING			

TITLE:  
**SWB-4-PQ-A**

SIZE DWG. NO. REV  
**C** **A**

WEIGHT: SHEET 2 OF 16