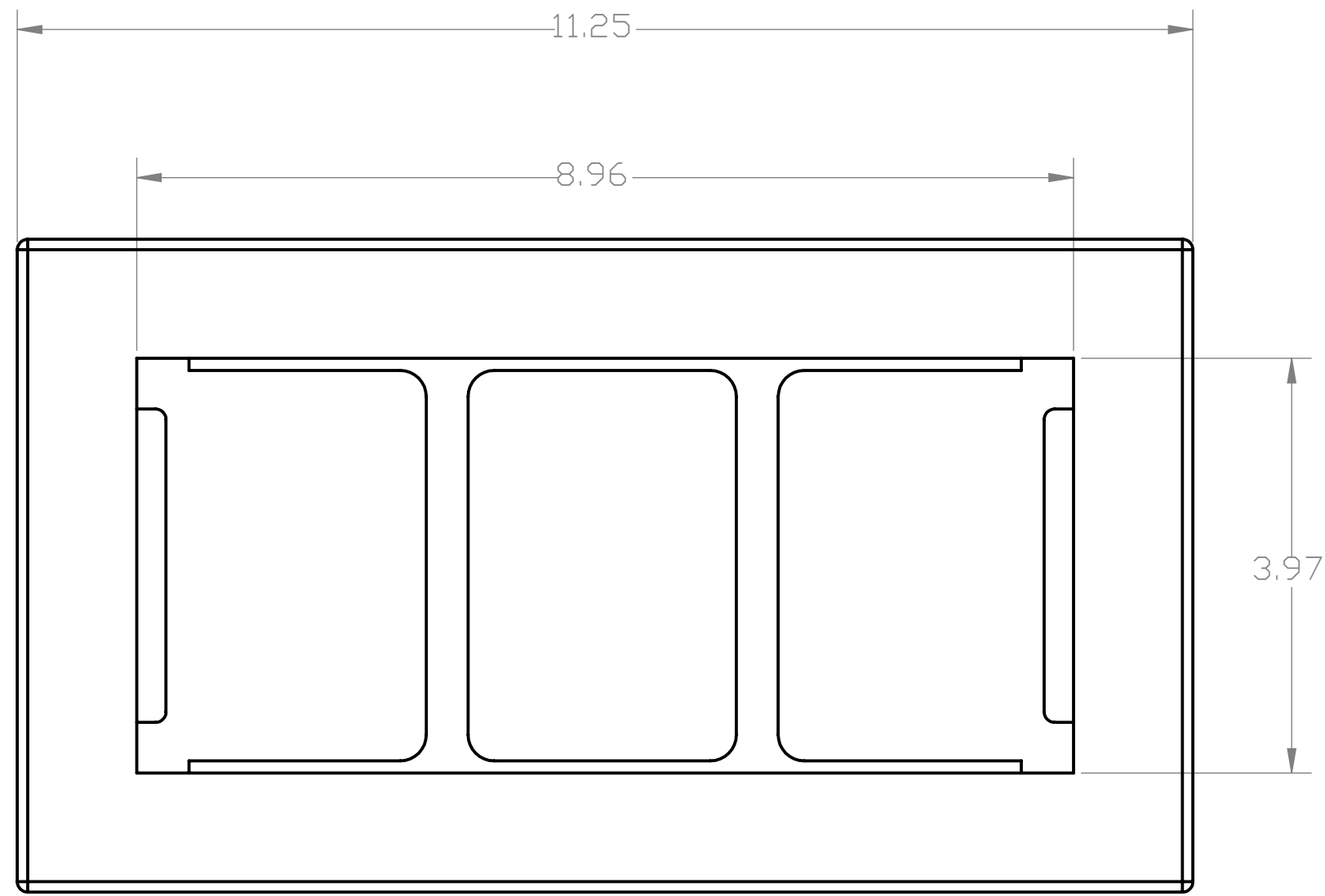
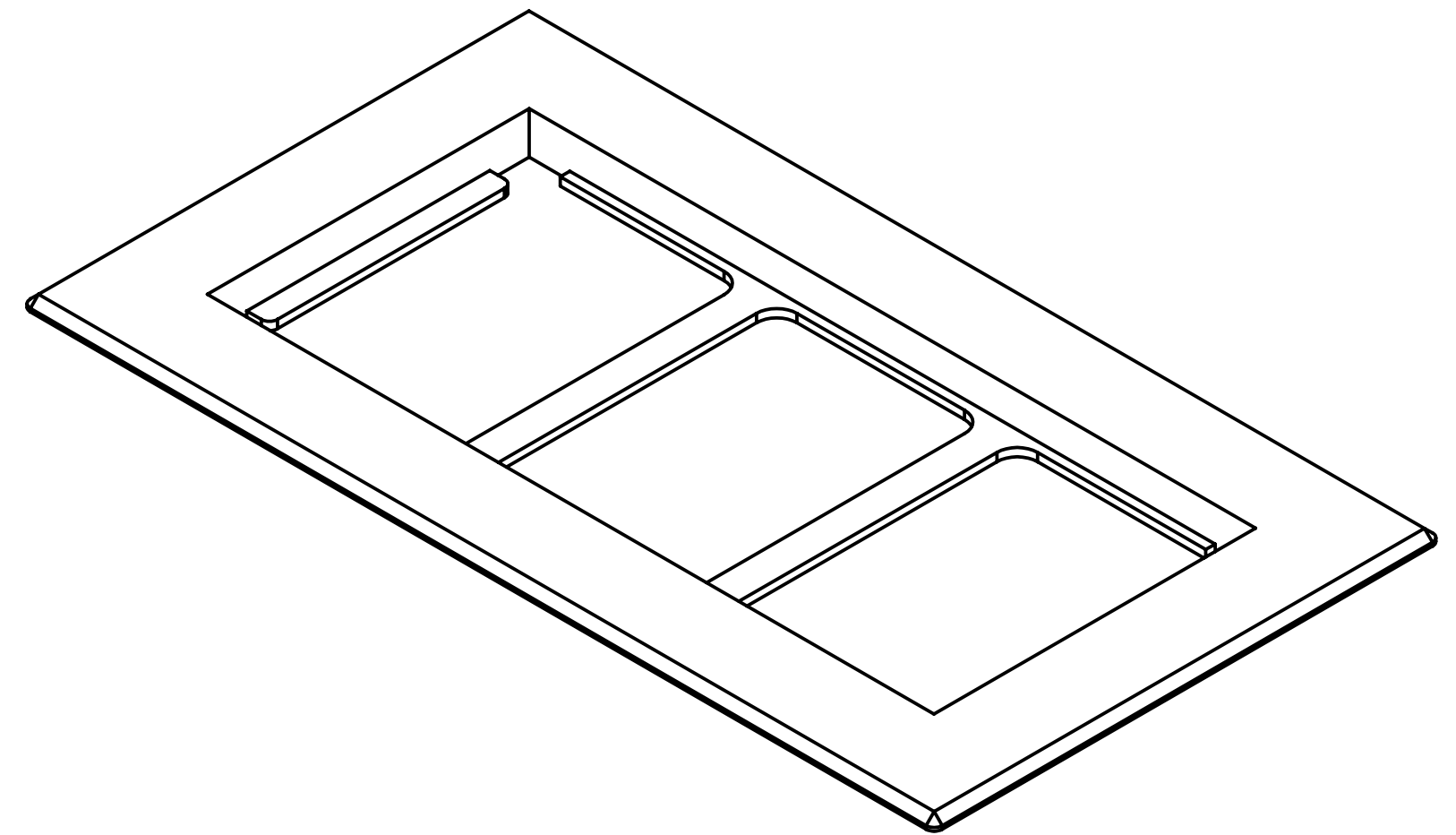


DESCRIPTION:  
 THREE GANG BRASS CARPET FLANGE, 6 1/4" X  
 11 1/2"

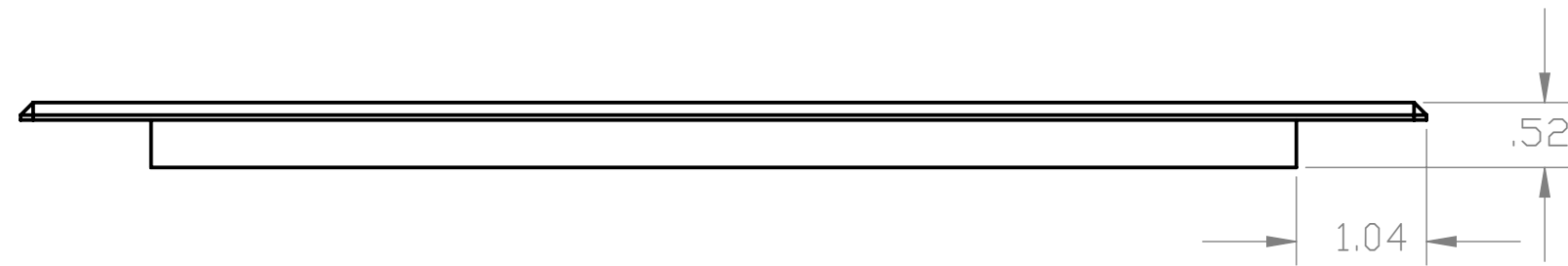
BRASS[12] 8/32 X 1.23 MOUNTING SCREWS  
 INCLUDED



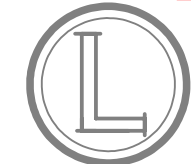
TOP VIEW



ISOMETRIC VIEW



FRONT VIEW



**LEW ELECTRIC**  
**FITTINGS COMPANY**  
 SERVING THE ELCTRICAL INDUSTRY SINCE 1901  
 1801 W. St. Charles Rd. Maywood, IL 60153  
 PHONE: 708-345-2075

UNLESS OTHERWISE SPECIFIED:	NAME	DATE	
DIMENSIONS ARE IN INCHES	DRAWN	P.J.G	2/18/2013
TOLERANCES:			
FRACTIONAL ±			
ANGULAR: MACH ± BEND ±			
TWO PLACE DECIMAL ±			
THREE PLACE DECIMAL ±			
INTERPRET GEOMETRIC TOLERANCING PER:			
MATERIAL	COMMENTS:		
FINISH			
DO NOT SCALE DRAWING			TITLE: <b>CF-1103-DFB</b>
	SIZE <b>C</b>	DWG. NO.	REV <b>A</b>
	WEIGHT:	SHEET 2 OF 8	