



A) Cat. No. SGI80-00W; B) Cat. No. SGI65-00W;
C) Cat. No. SGC65-00W; D) Cat. No. SGO99-00W

Leviton Spec-Grade Sound™ Indoor and Outdoor Speakers

Leviton Spec-Grade Sound™ Indoor and Outdoor Speakers

When the specs call for quality sound, rely on Leviton's award-winning* Spec-Grade Sound™ indoor and outdoor speaker line for exceptional technical innovation and value. Spec-Grade Sound speakers deliver features and performance comparable to higher-end brands, at a price that's right for the entire range of the residential installation and construction business.

All of Leviton Spec-Grade Sound™ indoor speakers incorporate exceptionally strong, light and rigid AeroNylon tweeters and Kevlar®-composite woofers for exceptional clarity, detail and impact, along with built-in AutoSurge™ protection to help protect the speakers from possible damage due to over driving. The outdoor/utility speaker is constructed of weather resistant materials inside and out for years of use in challenging environments.

*Electronic House Magazine "Product of the Year"

APPLICATIONS

In-Wall Speakers

In-wall speakers offer a no-compromise choice for installed systems by projecting sound directly into a listening area from a horizontal location just like a shelf or floor speaker system.

They are a perfect solution for:

1. Primary listening systems: musical applications where sound quality is most important and wall locations do not conflict with room aesthetics.
2. Installed home theater systems: as front left and right speakers, and as surround speakers.

In-Ceiling Speakers

The reality of installed audio systems in residences is that aesthetics are often the main concern with many homeowners, especially in production building where the type and location of room furnishings may not be completely known until after the system is installed. In these cases a quality, optimized in-ceiling design can deliver performance comparable to that of in-wall speakers.

Specification Bulletin

FEATURES AND BENEFITS (In-Wall and In-Ceiling Models)

- **Kevlar® composite woofer** – Woofer construction combines exceptional rigidity and lightness to provide the perfect linear movement needed to reproduce dynamic, tight bass and incisive midrange frequencies
- **AeroNylon tweeter diaphragm** – Aerospace-grade nylon tweeter diaphragm combines very low mass and high tensile strength to provide crystal-clear treble response and exceptionally accurate tracking of even the most challenging musical transients
- **AutoSurge™ circuit protection** – Built-in AutoSurge protection responds to potentially destructive power peaks automatically and resets after the event, helping prevent speaker damage
- **Advanced phase/time alignment guide** – A precise phase/time waveguide is used to properly align sound without mis-aligning the tweeters – a problem with many adjustable in-wall speakers – in order to provide extremely accurate stereo imaging
- **Precision dividing network** – The dividing network (or crossover) used in all Spec-Grade Sound speakers is made of high-spec components to ensure total audio signal electronic integrity up to the last microsecond before the signal is converted into sound
- **Inert mounting frame with “dogleg” installation points** – To eliminate any transmitted vibrations that could color in-wall or ceiling sound quality, Spec-Grade Sound speakers rely on a baffle-frame assembly incorporating higher-density plastics and a series of adjustable “doglegs” to rigidly clamp the speaker to the wall or ceiling material

SPECIFICATIONS

6.5-inch Two-Way In-Ceiling Loudspeaker (Cat. No. SGC65-00W)

- 6.5-inch Kevlar composite cone low-frequency transducer
- .5-inch AeroNylon dome high-frequency transducer
- 2-way balanced precision crossover network with AutoSurge circuit protection

| | |
|---------------------------------|-----------------------------------|
| Frequency Response: | 50-20kHz +/- 3dB |
| Sensitivity: | 87.0 dB SPL @ 1Watt/ 1 Meter |
| Power Handling: | 120W peak/60W RMS |
| Impedance: | Nominal 8 Ohms/ Minimum 6 Ohms |
| Physical Dimensions and Weight: | |
| Diameter: | 9.03 in/229.4 mm; |
| Depth: | 3.25 in/82.6 mm |
| Weight: | 6.5 lbs |

6.5-inch Two-Way In-Wall Loudspeaker (Cat. No. SGI65-00W)

- 6.5-inch Kevlar composite cone low-frequency transducer
- .5-inch AeroNylon dome high-frequency transducer with phase/time alignment guide
- 2-way balanced precision crossover network with AutoSurge circuit protection

| | |
|---------------------------------|-----------------------------------|
| Frequency Response: | 50-20kHz +/- 3dB |
| Sensitivity: | 88.0 dB SPL @ 1Watt/ 1 Meter |
| Power Handling: | 120W peak/60W RMS |
| Impedance: | Nominal 8 Ohms/ Minimum 6 Ohms |
| Physical Dimensions and Weight: | |
| Height: | 12.31 in/312.8 mm |
| Width: | 9.02 in/229 mm |
| Depth: | 3.20 in/81.28 mm |
| Weight: | 7.3 lbs |

8-Inch Two-Way In-Wall Loudspeaker (Cat. No. SGI80-00W)

- 8-inch Kevlar composite cone low-frequency transducer
- 1-inch AeroNylon dome high-frequency transducer with phase/time alignment guide
- 2-way balanced precision crossover network with AutoSurge circuit protection

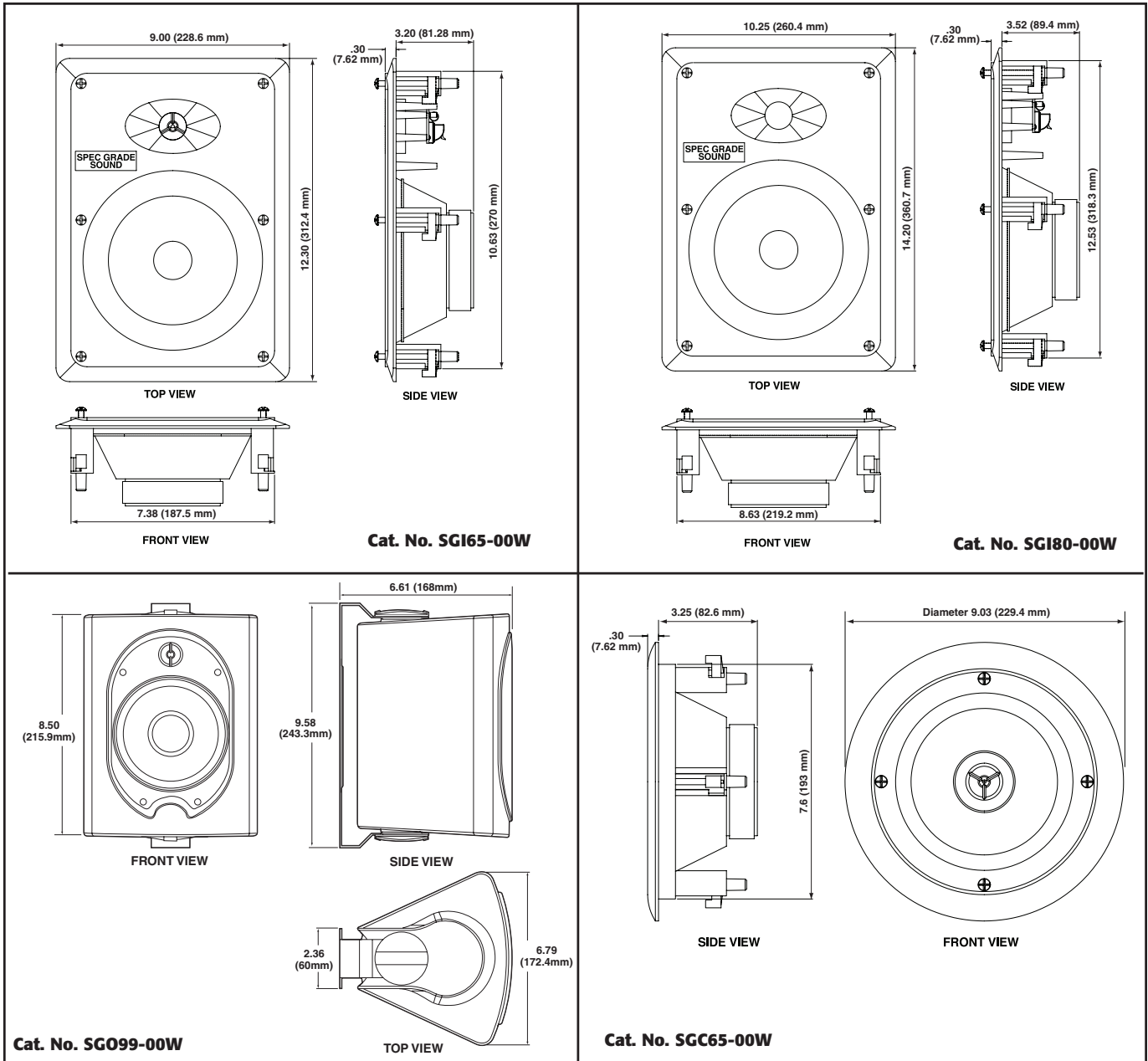
| | |
|---------------------|-----------------------------------|
| Frequency Response: | 44-20kHz +/- 3dB |
| Sensitivity: | 86.5 dB SPL @ 1Watt/ 1 Meter |
| Power Handling: | 160W peak/80W RMS |
| Impedance: | Nominal 8 Ohms/ Minimum 6 Ohms |
| Dimensions: | |
| Height: | 14.25 in/362 mm |
| Width: | 10.24 in/260 mm |
| Depth: | 3.52 in/89.4 mm |
| Weight: | 9.25 lbs |

Outdoor/Utility Two-Way Loudspeaker (Cat. No. SGO99)

- 5.25-inch Silicate-fiber cone low-frequency transducer with butyl rubber surround
- 5-inch Polydome high-frequency transducer
- 2-way balanced precision crossover network with AutoSurge circuit protection
- Element-resistant polypropylene enclosure, gold-plated binding terminals, and aluminum mounting bracket (with stainless-steel hardware)

| | |
|---------------------------------|---|
| Frequency Response: | 50-20kHz +/- 3dB |
| Sensitivity: | 87 dB SPL @ 1Watt/ 1 Meter |
| Power Handling: | 120W peak/60W RMS |
| Impedance: | Nominal 8 Ohms/ Minimum 6 Ohms |
| Physical Dimensions and Weight: | |
| Height: | 6.79 in/172.4 mm |
| Width: | 8.50 in/215.9 mm |
| Depth: | 6.03 in/153.2 mm D (without bracket) |
| Weight: | 3.9 lbs |

DIMENSIONAL DRAWINGS:



ORDERING INFORMATION

| Cat. No. | Description - Speakers | Cat. No. | Description - Pre-Construction Kits |
|-----------|--|-----------|--|
| SGC65-00W | 6.5" Two-Way In-Ceiling Loudspeaker | PCC55-KIT | Pre-Construction Kit for 6.5" In-Ceiling Loudspeaker |
| SGI65-00W | 6.5" Two-Way In-Wall Loudspeaker | PCI65-KIT | Pre-Construction Kit for 6.5" In-Wall Loudspeaker |
| SGI80-00W | 8" Two-Way In-Wall Loudspeaker | PCI80-KIT | Pre-Construction Kit for 8" In-Wall Loudspeaker |
| SGO99-00W | Outdoor/Utility Two-Way Loudspeaker with bracket | | |

WARRANTY INFORMATION

Two-year limited product warranty

Specification Bulletin

**SGI80-00W, SGI65-00W,
SGC65-00W & SGO99-00W**

.....

Note: Features and Specifications subject to change

Leviton Mfg. Co., Inc.
59-25 Little Neck Pkwy • Little Neck, NY 11362-2591
Telephone: 1-800-323-8920 • Tech Line: 1-800-824-3005 • Fax: 1-800-832-9538

Leviton Manufacturing of Canada, Ltd.
165 Hymus Boulevard, Pointe Claire, Quebec H9R 1E9
Telephone: 1-800-469-7890 • FAX: 1-800-563-1853

Leviton S. de R.L. de C.V.
Lago Tana 43, Mexico DF, Mexico CP 11290
Tel. (+52) 55-5082-1040 • www.leviton.com.mx

Visit our Website at: www.leviton.com

B-1265/I7-J0

