



**Color:**  Gray

**UPC Code:** 07847737421

**Country Of Origin:** Mexico

## N1302-DS

### Brand Features

Powerswitch® Industrial Grade AC Manual Motor Controllers provide safe, reliable control of a variety of motor loads. Typical applications include manual ON/OFF switching control of conveyor systems, pumping machines, HVAC systems, air compressors and other heavy manufacturing equipment. These motor controllers are available for both single-phase and three-phase applications.

### Item Description

30 Amp, 600 Volt, Toggle In Type 1 Enclosure Double-Pole AC Manual Motor Controller, Industrial Grade, Grounded To Enclosure, Back & Side Wired, Suitable as a Motor Disconnect - GRAY

### Technical Information

#### AC Horsepower Ratings

**tsa\_120vac:** 2HP

**tsa\_240vac:** 5HP

**tsa\_480vac:** 10HP

**tsa\_600vac:** 15HP

#### Electrical Specifications

**Amperage:** 30 A

**Dielectric Voltage:** Withstands 2200V for 1 min.

**Endurance:** 6,000 cycles inductive motor type load

**Grounding:** Grounded To Enclosure

**Overload UL20 Test:** 100 cycles of OL at 4.8 times rated current

**Pole:** 2

**Temperature Rise:** 50°C Max at full rated current

**Voltage:** 600 VAC

#### Environmental Specifications

**Enclosure Rating:** Type 1

**Flammability:** Rated V-0 per UL 94

**Operating Temperature:** -40°C to 60°C

#### Material Specifications

**Base Material:** Thermoplastic Polyester

**Contacts:** Silver-Cadmium .031 Thick

**Enclosure Cover Material:** Steel

**Face Material:** Thermoplastic Polyester

**Strap Material:** Nickel Plated Brass

**Terminal Screws:** Nickel-Plated Brass 10-32

**Toggle:** Thermoplastic Polyester

**Yoke:** Nickel-Plated Brass

#### Mechanical Specifications

**Product ID:** Ratings are permanently marked on device

**Terminal Accom.:** #10-#8 AWG

**Terminal ID:** T1, T2, L1, & L2 marked on back of device

**Termination:** Back & Side

**Torque Range:** 25 inch pounds maximum

#### Product Features

**Color:** Gray

**Device Type:** Manual Motor Controller

#### Standards and Certifications

**ANSI:** C-73

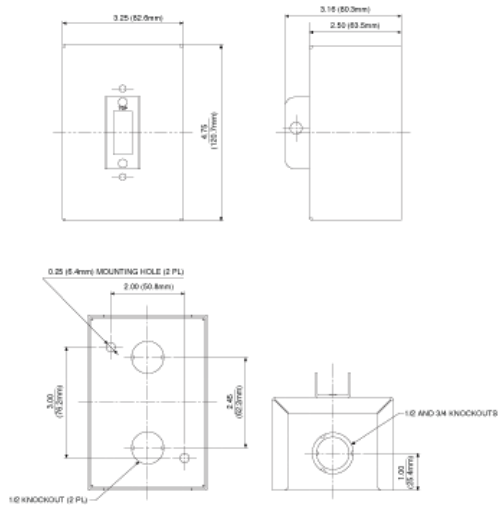
**cUL per CSA C22.2 No. 111:** File #E63969

**NEMA:** WD-1 & WD-6

**NOM:** NOM-ANCE

**UL 60947-4-1:** supersedes UL 508

**Warranty:** 10-Year Limited



### SPECIFICATION SUBMITTAL

JOB NAME:	CATALOG NUMBERS:	
<input type="text"/>	<input type="text"/>	<input type="text"/>
JOB NUMBER:	<input type="text"/>	<input type="text"/>

**Leviton Manufacturing Co., Inc.**

201 North Service Road, Melville, NY 11747

Teléfono: +1-800-323-8920 · FAX: +1-800-832-9538 · Tech Line (8:30AM-7:30PM E.S.T. Monday-Friday): +1-800-824-3005

**Leviton Manufacturing of Canada, Ltd.**

165 Hymus Boulevard, Pointe Claire, Quebec H9R 1E9 · Telephone: +1-800-469-7890 ·

FAX: +1-800-824-3005 · [www.leviton.com/canada](http://www.leviton.com/canada)

**Leviton S. de R.L. de C.V.**

Lago Tana 43, Mexico DF, Mexico CP 11290 · Tel.: (+52)55-5082-1040 · FAX: (+52)5386-

1797 · [www.leviton.com.mx](http://www.leviton.com.mx)

Visit our Website at: [www.leviton.com](http://www.leviton.com)

© 2018 Leviton Manufacturing Co., Inc. Todos los derechos reservados. Subject to change without notice.

**Leviton has a global presence.**

If you would like to know where your local Leviton office is located please go to:

[www.leviton.com/international/contacts/](http://www.leviton.com/international/contacts/)

