

MS302-DSS



UPC Code: 07847737414

Country Of Origin: Mexico

Brand Features

Powerswitch® Industrial Grade AC Manual Motor Controllers provide safe, reliable control of a variety of motor loads. Typical applications include manual ON/OFF switching control of conveyor systems, pumping machines, HVAC systems, air compressors and other heavy manufacturing equipment. These motor controllers are available for both single-phase and three-phase applications.

Item Description

30 Amp, 600V, Double-Pole, Single Phase AC Manual Motor Controller, Suitable as Motor Disconnect, Short Toggle, Industrial Grade, Non-Grounding, Back & Side Wiring, - Black

Technical Information

AC Horsepower Ratings

tsa_120vac: 2HP

tsa_240vac: 5HP

tsa_480vac: 10HP

tsa_600vac: 15HP

Electrical Specifications

Amperage: 30 A

Dielectric Voltage: Withstands 2200V for 1 min.

Endurance: 6,000 cycles inductive motor type load

Grounding: Non-Grounding

tsa_overload_ul508_test: 50 cycles of overload at 6 times rated current

Pole: 2

Temperature Rise: 50°C Max at full rated current

Voltage: 600 VAC

Environmental Specifications

Flammability: Rated V-0 per UL 94

Operating Temperature: -40°C to 60°C

Material Specifications

Base Material: Thermoplastic Polyester

Color: Black

Contacts: Silver-Cadmium .031 Thick

Face Material: Thermoplastic Polyester

Strap Material: Nickel Plated Brass

Terminal Screws: Nickel-Plated Brass 10-32

Toggle: Thermoplastic Polyester

Yoke: Nickel-Plated Brass

Mechanical Specifications

Product ID: Ratings are permanently marked on device

Terminal Accom.: #10-#8 AWG

Terminal ID: T1, T2, L1, & L2 marked on back of device

Termination: Back & Side

Torque Range: 25 inch pounds maximum

Product Features

Color: Black

Device Type: Manual Motor Controller

Standards and Certifications

ANSI: C-73

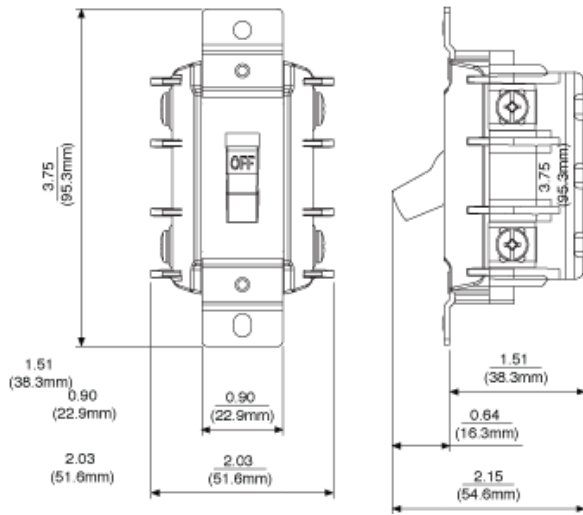
cUL per CSA C22.2 No. 111: File #E63969

NEMA: WD-1 & WD-6

NOM: NOM-ANCE

UL 60947-4-1: supersedes UL 508

Warranty: 10-Year Limited



SPECIFICATION SUBMITTAL

JOB NAME:		CATALOG NUMBERS:	
<input type="text"/>		<input type="text"/>	<input type="text"/>
JOB NUMBER:		<input type="text"/>	<input type="text"/>

Leviton Manufacturing Co., Inc.

201 North Service Road, Melville, NY 11747

Teléfono: +1-800-323-8920 · FAX: +1-800-832-9538 · Tech Line (8:30AM-7:30PM E.S.T. Monday-Friday): +1-800-824-3005

Leviton Manufacturing of Canada, Ltd.

165 Hymus Boulevard, Pointe Claire, Quebec H9R 1E9 · Telephone: +1-800-469-7890 ·

FAX: +1-800-824-3005 · www.leviton.com/canada

Leviton S. de R.L. de C.V.

Lago Tana 43, Mexico DF, Mexico CP 11290 · Tel.: (+52)55-5082-1040 · FAX: (+52)5386-

1797 · www.leviton.com.mx

Visit our Website at: www.leviton.com

© 2018 Leviton Manufacturing Co., Inc. Todos los derechos reservados. Subject to change without notice.

Leviton has a global presence.

If you would like to know where your local Leviton office is located please go to:

www.leviton.com/international/contacts/

