

CS8475



Color: **N/A** Gray Metal

UPC Code: 07847732626

Country Of Origin: Mexico

NEMA:
Non-NEMA



Brand Features

Leviton Black & White 50Amp Non-NEMA Locking devices are designed for faster wiring and longer life. Made from tough, impact-resistant nylon housings and metal shrouds, these plugs, connectors, receptacles and flanged inlets are designed for rugged environments like construction sites, commercial shipyards and convention centers.

Item Description

50 Amp, 480 Volt, Non-NEMA, 2P, 3W, Black & White Locking Flanged Inlet, California-Style, Industrial Grade, Grounding - GRAY METAL

Technical Information

Electrical Specifications

Grounding: Grounding

Amperage: 50 A

Voltage: 480 VAC

Pole: 2

Wire: 3

Dielectric Voltage: Withstands 2000V per UL498

Maximum Working Voltage: 480V as rated

Temperature Rise: Max 30°C temp rise at full-rated current after 150 cycles of OL at 150% rated DC current

Current Interrupting: Certified for current interrupting at full rated current

Environmental Specifications

Flammability: Rated V-2 per UL94

Operating Temperature: -40°C to 75°C

Environment: Dry

Material Specifications

Face Module: Nylon

Body & Contract Carrier: Reinforced Nylon

Flanged Casing: Zinc Plated Steel

Inlet Blade: 0.100inch thick Brass

Terminal Block: 0.062inch thick Copper

Terminal Set Screw: SS 302/304

Ground Shunt: Bronze

Grounding Shunt Rivet: Brass

Color: Gray Metal

Mechanical Specifications

Terminal ID: X, W, Y, Z and Green for ground

Terminal Accom.: #10 min to #4max AWG Solid or Stranded Wire

Product ID: Ratings and Catalogue No. molded into face

Product Features

NEMA: Non-NEMA

Color: Gray Metal

Device Type: Locking Flanged Inlet

Brand: Black and White

Standards and Certifications

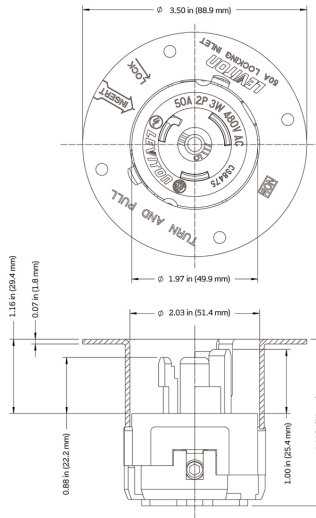
UL498: File E13399

CSA C22.2 No. 42: File 152105

NOM: 057

RoHS: Compliant

Warranty: Lifetime Limited



SPECIFICATION SUBMITTAL

JOB NAME: <input type="text"/>	CATALOG NUMBERS: <input type="text"/>	
JOB NUMBER: <input type="text"/>	<input type="text"/>	<input type="text"/>

Leviton Manufacturing Co., Inc.

201 North Service Road, Melville, NY 11747

Teléfono: +1-800-323-8920 · FAX: +1-800-832-9538 · Tech Line (8:30AM-7:30PM E.S.T. Monday-Friday): +1-800-824-3005

Leviton Manufacturing of Canada, Ltd.

165 Hymus Boulevard, Pointe Claire, Quebec H9R 1E9 · Telephone: +1-800-469-7890 ·

FAX: +1-800-824-3005 · www.leviton.com/canada

Leviton S. de R.L. de C.V.

Lago Tana 43, Mexico DF, Mexico CP 11290 · Tel.: (+52)55-5082-1040 · FAX: (+52)5386-

1797 · www.leviton.com.mx

Visit our Website at: www.leviton.com

© 2018 Leviton Manufacturing Co., Inc. Todos los derechos reservados. Subject to change without notice.

Leviton has a global presence.

If you would like to know where your local Leviton office is located please go to:

www.leviton.com/international/contacts/

