



Color:  Light Almond

UPC Code: 07847747520

NEMA:  
5-15R



## 8200-T

### Item Description

Duplex Receptacle Outlet, Extra Heavy-Duty Hospital Grade, Smooth Face, 15 Amp, 125 Volt, Back or Side Wire, NEMA 5-15R, 2-Pole, 3-Wire, Self-Grounding - Light Almond

### Technical Information

#### AC Horsepower Ratings

**Horsepower Rating:** 1/2 HP

#### Electrical Specifications

**Amperage:** 15 A

**Current Limiting:** Full Rated Current

**Dielectric Voltage:** Withstands 2000V per UL498

**Grounding:** Self-Grounding

**Pole:** 2

**Temperature Rise:** Max 30C after 250 cycles OL at 200 percent rated current

**Voltage:** 125 VAC

**Wire:** 3

#### Environmental Specifications

**Flammability:** Rated V-2 per UL 94

**Operating Temperature:** -40°C to 60°C

#### Material Specifications

**Body Material:** Nylon

**Clamp Nuts:** Zinc-Plated Steel

**Color:** Light Almond

**Face Material:** Nylon

**Ground Clips:** Nickel-Plated Brass

**Grounding Screw:** Plated Brass

**Line Contacts:** Nickel-Plated Brass  
Triple-Wipe .040 Thick

**Strap Material:** Nickel-Plated Brass

**Terminal Screws:** Nickel-Plated Brass  
10-32

#### Mechanical Specifications

**Product ID:** Markings are permanently marked on device

**Terminal Accom.:** 14-10 AWG

**Terminal ID:** Brass-Hot, Green-Ground, Silver-Neutral

**Termination:** Back or Side Wire

**Torque Range:** 14-16 inch pounds

#### Product Features

**Color:** Light Almond

**Device Type:** Duplex Receptacle Outlet

**Grade:** Heavy-Duty Hospital Grade

**NEMA:** 5-15R

#### Standards and Certifications

**ANSI:** C-73

**CSA C22.2 No. 42:** File 152105

**NEMA:** WD-6

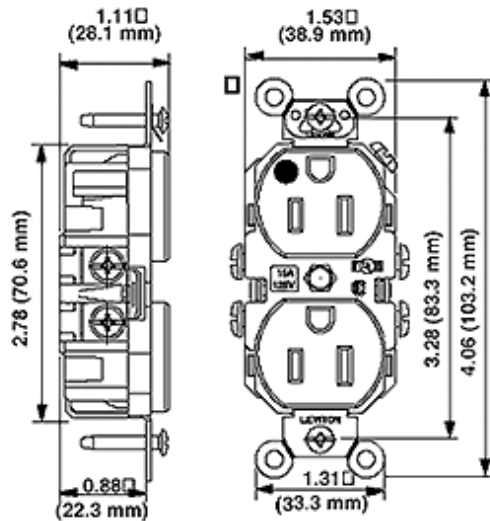
**NOM:** 057

**RoHS:** Non-Compliant

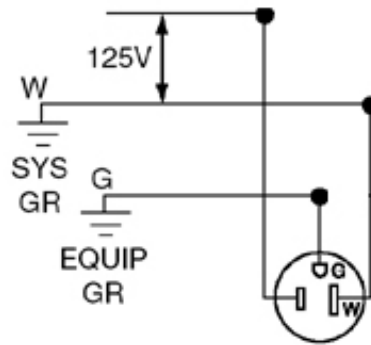
**UL498HG:** File E13399

**UL Fed Spec WC-596:** File E13399

**Warranty:** 10-Year Limited



**Wiring Diagram**



**5-15R**

**SPECIFICATION SUBMITTAL**

JOB NAME:	CATALOG NUMBERS:	
<input type="text"/>	<input type="text"/>	<input type="text"/>
JOB NUMBER:	<input type="text"/>	<input type="text"/>

**Leviton Manufacturing Co., Inc.**

201 North Service Road, Melville, NY 11747

Teléfono: +1-800-323-8920 · FAX: +1-800-832-9538 · Tech Line (8:30AM-7:30PM E.S.T. Monday-Friday): +1-800-824-3005

**Leviton Manufacturing of Canada, Ltd.**

165 Hymus Boulevard, Pointe Claire, Quebec H9R 1E9 · Telephone: +1-800-469-7890 ·

FAX: +1-800-824-3005 · www.leviton.com/canada

**Leviton S. de R.L. de C.V.**

Lago Tana 43, Mexico DF, Mexico CP 11290 · Tel.: (+52)55-5082-1040 · FAX: (+52)5386-

1797 · www.leviton.com.mx

Visit our Website at: [www.leviton.com](http://www.leviton.com)

© 2018 Leviton Manufacturing Co., Inc. Todos los derechos reservados. Subject to change without notice.

**Leviton has a global presence.**

If you would like to know where your local Leviton office is located please go to:

[www.leviton.com/international/contacts/](http://www.leviton.com/international/contacts/)

