

# 80703-NT

## Brand Features

Familiar and functional, Leviton Traditional Wallplates are designed for use with Traditional Leviton devices. They represent styles and form factors that have stood the test of time. Their clean lines work in virtually any location, whether in new or retrofit construction, and they install quickly and easily. Leviton offers Traditional Wallplates in a vast array of colors and configurations.

## Item Description

1-Gang Duplex Device Receptacle Wallplate, Standard Size, Thermoplastic Nylon, Light Almond

## Technical Information

### Product Features

**Type:** Standard Size

**Gang:** 1

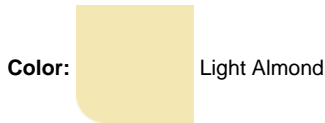
**Material:** Nylon

**Color:** Light Almond

**Mount:** Device

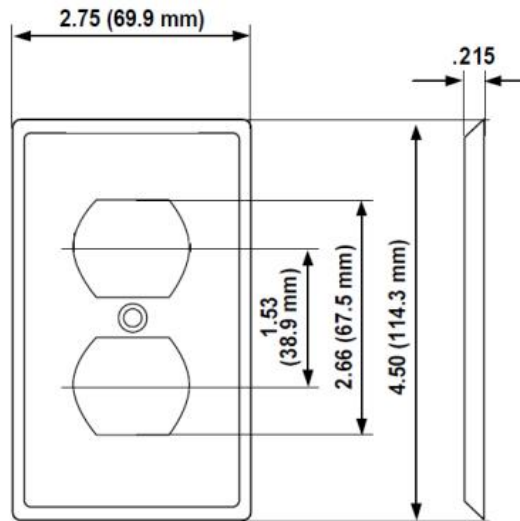
**Standards and Certifications:** UL/CSA

**Warranty:** 10-Year Limited



UPC Code: 07847727752

Country Of Origin: United States



## SPECIFICATION SUBMITTAL

JOB NAME:	CATALOG NUMBERS:	
<input type="text"/>	<input type="text"/>	<input type="text"/>
JOB NUMBER:	<input type="text"/>	<input type="text"/>

**Leviton Manufacturing Co., Inc.**

201 North Service Road, Melville, NY 11747

Teléfono: +1-800-323-8920 · FAX: +1-800-832-9538 · Tech Line (8:30AM-7:30PM E.S.T. Monday-Friday): +1-800-824-3005

**Leviton Manufacturing of Canada, Ltd.**

165 Hymus Boulevard, Pointe Claire, Quebec H9R 1E9 · Telephone: +1-800-469-7890 ·

FAX: +1-800-824-3005 · [www.leviton.com/canada](http://www.leviton.com/canada)

**Leviton S. de R.L. de C.V.**

Lago Tana 43, Mexico DF, Mexico CP 11290 · Tel.: (+52)55-5082-1040 · FAX: (+52)5386-

1797 · [www.leviton.com.mx](http://www.leviton.com.mx)

**Visit our Website at: [www.leviton.com](http://www.leviton.com)**

© 2018 Leviton Manufacturing Co., Inc. Todos los derechos reservados. Subject to change without notice.

**Leviton has a global presence.**

If you would like to know where your local Leviton office is located please go to:

[www.leviton.com/international/contacts/](http://www.leviton.com/international/contacts/)

