

66W76

Item Description

20 Amp, 480 Volt, 3Ø, NEMA L16-20, 3P, 4W, Single Locking Inlet with IP66 Rated Cover, Industrial Grade, Grounding, Corrosion Resistant, Wetguard - YELLOW



Color:  Yellow

UPC Code: 07847751923

Country Of Origin: United States

NEMA:
L16-20P



Technical Information

Electrical Specifications

Amperage: 20 A

Voltage: 480 VAC

Pole: 3

Wire: 4

Grounding: Grounding

Dielectric Voltage: Withstands 2000V per UL498

Current Limiting: Full Rated Current

Temperature Rise: Max 30C after 250 cycles OL at 200 percent rated current

Phase: 3-Phase

Environmental Specifications

Flammability: Rated V-2 per UL 94 (wiring module)

Operating Temperature: -40°C to 60°C

Enclosure Rating: NEMA 4, 4X, 12 IEC IP66

Environment: Wet

Material Specifications

Cover/Lid: Valox PBT

Wiring Module Mounting Cup: Valox PBT

Wiring Module: Nylon

Cover Gasket: Santoprene TPV

Torsion Spring Mechanism (Flip Lids): Stainless Steel

Blades/Contacts, Terminal Clamps: Electroless Nickel-coated Brass

Terminal Screws: Electroless Nickel-coated Brass

Mounting & Assembly Screws: Stainless steel, non-magnetic

Mechanical Specifications

Terminal Accom.: #16 AWG to #10 AWG

Product ID: Ratings and NEMA I.D. permanently marked on device

Product Features

NEMA: L16-20P

Color: Yellow

Brand: Wetguard

Device Type: Locking Inlet

Standards and Certifications

NEMA: WD-6

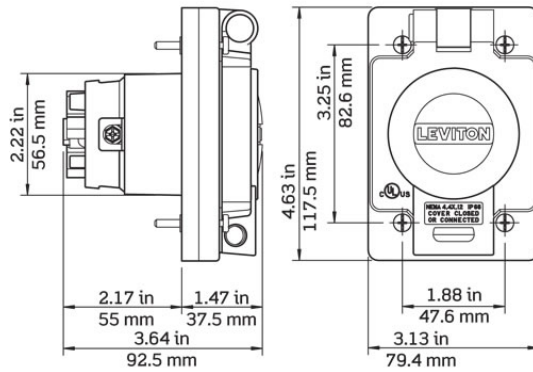
ANSI: C-73

UL: 498

CSA: C22.2 No. 42

NOM: 057

Warranty: Lifetime Limited



SPECIFICATION SUBMITTAL

JOB NAME:		CATALOG NUMBERS:	
<input type="text"/>		<input type="text"/>	
JOB NUMBER:			
<input type="text"/>		<input type="text"/>	

Leviton Manufacturing Co., Inc.

201 North Service Road, Melville, NY 11747

Teléfono: +1-800-323-8920 · FAX: +1-800-832-9538 · Tech Line (8:30AM-7:30PM E.S.T. Monday-Friday): +1-800-824-3005

Leviton Manufacturing of Canada, Ltd.

165 Hymus Boulevard, Pointe Claire, Quebec H9R 1E9 · Telephone: +1-800-469-7890 ·

FAX: +1-800-824-3005 · www.leviton.com/canada

Leviton S. de R.L. de C.V.

Lago Tana 43, Mexico DF, Mexico CP 11290 · Tel.: (+52)55-5082-1040 · FAX: (+52)5386-

1797 · www.leviton.com.mx

Visit our Website at: www.leviton.com

© 2018 Leviton Manufacturing Co., Inc. Todos los derechos reservados. Subject to change without notice.

Leviton has a global presence.

If you would like to know where your local Leviton office is located please go to:

www.leviton.com/international/contacts/

