



UPC Code: 07847781954

NEMA:
5-15R



5252

Brand Features

Leviton's line of Heavy-Duty Industrial Grade Receptacles are available with a number of wiring options and features. These heavy-duty receptacles are engineered for fine appearance and top performance in demanding commercial and institutional applications using a durable, thermoplastic face and impact-resistant construction.

Item Description

Duplex Receptacle Outlet, Heavy-Duty Industrial Specification Grade, Smooth Face, 15 Amp, 125 Volt, Back or Side Wire, NEMA 5-15R, 2-Pole, 3-Wire, Self-Grounding - Brown

Technical Information

AC Horsepower Ratings

At Rated Voltage: 1/2 HP

Electrical Specifications

Amperage: 15 A

Dielectric Voltage: Withstands 3000V min

Grounding: Self-Grounding

Pole: 2

Temperature Rise: Max 30C after 250 cycles OL at 200 percent rated current

Voltage: 125 VAC

Wire: 3

Environmental Specifications

Flammability: Rated V-0 per UL 94

Operating Temperature: -40°C to 75°C

Material Specifications

Body Material: PBT Polyester Blend

Clamp Nuts: Steel (Galvanized G60)

Color: Brown

Face Material: PBT Polyester Blend

Ground Clips: Brass

Grounding Screw: #8 Hex Head, Triple-Drive Brass

Line Contacts: 0.030" Phosphor Bronze

Strap Material: Galvanized Steel with Riveted Ground Contacts

Terminal Screws: #8 Triple-Drive Brass

Mechanical Specifications

Product ID: Ratings are permanently marked on device

Terminal Accom.: #14-#10 AWG

Terminal ID: Brass-Hot, Silver-Neutral, Green-Ground

Termination: Back and Side Wire

Product Features

Body Material: PBT Polyester Blend

Color: Brown

Device Type: Duplex Receptacle Outlet

Face Material: PBT Polyester Blend

Feature 4: Smooth Face

Grade: Heavy-Duty Industrial Specification Grade

Grounding: Self-Grounding

NEMA: 5-15R

Standards and Certifications

ANSI: C-73

CSA C22.2 No. 42: File 152105

NEMA: WD-1 & WD-6

NOM: 057

UL498: File E13399

UL Fed Spec WC-596: File E13399

Warranty: 10 Years

Patents*

CA2483480

US6743029

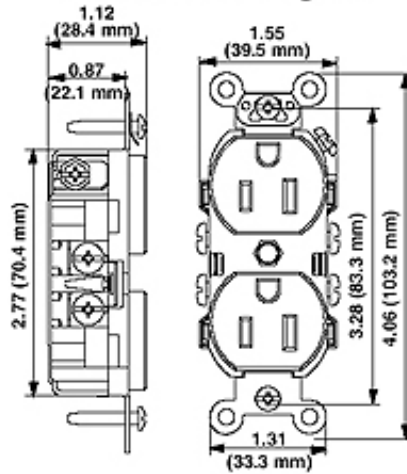
MX257790

US8684771

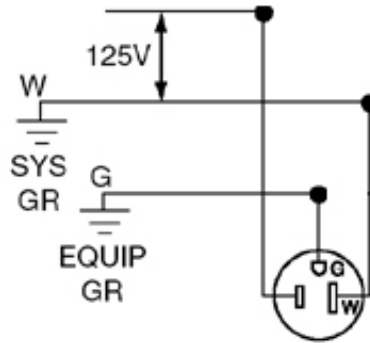
MX321216

*This list is provided for patent marking purposes only. A good faith effort is made to maintain the accuracy and completeness of this list. No legal inference should be drawn from the omission of a patent from this list.

Dimensional Diagram



Wiring Diagram



5-15R

SPECIFICATION SUBMITTAL

JOB NAME: <input type="text"/>	CATALOG NUMBERS: <input type="text"/>	<input type="text"/>
JOB NUMBER: <input type="text"/>	<input type="text"/>	<input type="text"/>

Leviton Manufacturing Co., Inc.

201 North Service Road, Melville, NY 11747

Teléfono: +1-800-323-8920 · FAX: +1-800-832-9538 · Tech Line (8:30AM-7:30PM E.S.T. Monday-Friday): +1-800-824-3005

Leviton Manufacturing of Canada, Ltd.

165 Hymus Boulevard, Pointe Claire, Quebec H9R 1E9 · Telephone: +1-800-469-7890 ·

FAX: +1-800-824-3005 · www.leviton.com/canada

Leviton S. de R.L. de C.V.

Lago Tana 43, Mexico DF, Mexico CP 11290 · Tel.: (+52)55-5082-1040 · FAX: (+52)5386-

1797 · www.leviton.com.mx

Visit our Website at: www.leviton.com

© 2018 Leviton Manufacturing Co., Inc. Todos los derechos reservados. Subject to change without notice.

Leviton has a global presence.

If you would like to know where your local Leviton office is located please go to:

www.leviton.com/international/contacts/

