

1x6 Passive Audio Module

APPLICATION

The 1x6 Passive Audio Module is an easy, centralized audio system distribution module that connects up to six pairs of speakers from an entertainment center or amplifier. Just run speaker wire to this passive bridging module and fill multiple rooms with high-quality sound.

STANDARDS COMPLIANCE

Meets or exceeds applicable standards: UL and cULus listed.

PHYSICAL SPECIFICATIONS

Dimensions: 6.58" h x 2.89" w x 1.42" d
Wire Gauge: 14-18 AWG
Requirements: Product must be used with impedance-matched volume controls or controllers.

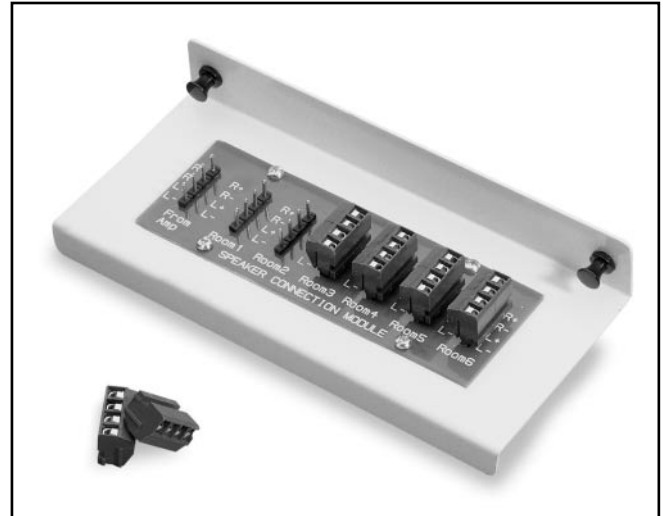
DESIGN CONSIDERATIONS

- Combine with Decora® Volume Controls to control up to six pairs of speakers from one amplifier or receiver.
- Parallel connection scheme insures the best sound quality.
- User-removable connectors facilitate installation.
- Connects with standard speaker wire.

WARRANTY INFORMATION

- Two-year limited product warranty.

See ELECTRONIC FILES for CAD files (.DXF, .DWG, MS-DOS.EPS) on disk



1x6 Passive Audio Module

For ELECTRONIC Typical Specs see (.TXT) file on disk.



TYPICAL SPECIFICATIONS

The 1x6 Passive Audio Module shall be UL and cULus listed. It shall support up to 6 pairs of speakers, use 14-18 AWG gauged wire and incorporate user-removable connectors. The manufacturer shall provide a two-year limited product warranty.



For Applications Engineering Support – Call 1-425-485-4288; in USA call 1-800-722-2082
Spec sheets and updates are also available at www.levitonvoicedata.com.

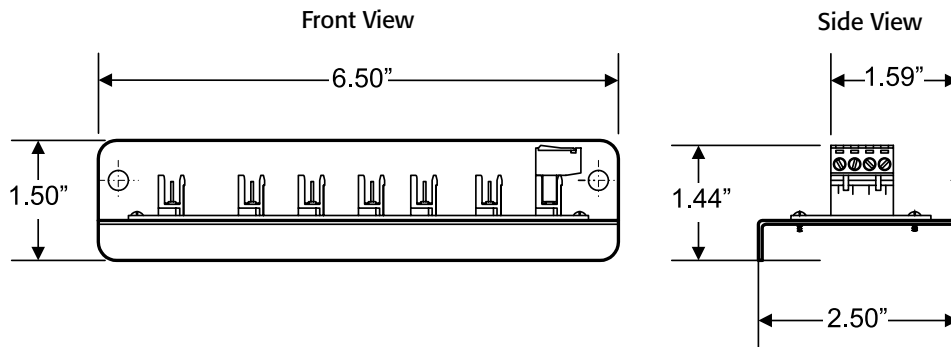
1x6 Passive Audio Module

Part Numbers
48211-6A
.....

DIMENSIONAL LINE ART

See ELECTRONIC FILES for CAD images
(.DXF, .DWG, MS-DOS.EPS)

48211-6A
1X6 Passive Audio Module



PART NUMBER

<i>1x6 Passive Audio Module</i>	<i>Part Number</i>
1x6 Passive Audio Module	48211-6A



For Applications Engineering Support – Call 1-425-485-4288; in USA call 1-800-722-2082.
Spec sheets and updates are also available at www.levitonvoicedata.com.



2222 – 222nd St. SE • Bothell, WA 98021 USA • Tel: 1-800-722-2082 / 1-425-485-4288 • Fax: 1-425-483-5270 • Int'l Fax: 1-425-485-9170 • GSA# GS-35F-4785G