

Universal Mini DC Power Supply

APPLICATION

The Universal Mini DC Power Supply easily drops into knockouts located in the bottom panel of Leviton Structured Media® enclosures, providing a 12V DC power source for up to three devices. The power supply will operate with any incoming AC voltage in the range of 90V to 264V.



SPECIFICATION

The Universal Mini DC Power Supply shall meet all applicable standards: UL 1950, cULus listed, C-Tick, CE, NOM, ACA, and China. It shall conform to normalized site attenuation limits and construction specifications (EMI/RFI filtering). It shall feature three 12V DC output connectors and a foldback surge protection feature for overload protection and short circuit overload protection. The power supply shall fit into Leviton Structured Media enclosures and operate at a low temperature.

FEATURES

- Three DC power connectors
- Foldback function limits the output current protecting connected devices from overloads and short-circuit overloads
- If the draw on the DC output increases to 105%-150% of nominal current, the current will be limited to 833 mA
- Includes three 48-inch connector cables

DESIGN CONSIDERATIONS

- One green LED indicates DC output is present
- Efficient circuitry operates at a low temperature
- Easily installed using wire nuts to connect the incoming line neutral and ground
- Drops into knockouts located on the bottom panel of Leviton Structured Media enclosures

STANDARDS COMPLIANCE

Meets all applicable standards: UL 1950, cULus Listed confirms to normalized site attenuation limits and construction specifications (EMI/RFI filtering) as set in the EN 55022, CSPR 16 & 22, and ANSI C63.4 documents. Includes C-Tick, ACA, NOM, China, and CE requirements.

PHYSICAL SPECIFICATIONS

Dimensions: See page two
Environment: Operating temperature of -10°C to 60°C
Storage temperature of -20°C to 85°C
Color: White painted cover and black DC connector cables

COUNTRY OF ORIGIN

Mexico

WARRANTY INFORMATION

For a copy of Leviton product warranties, visit www.leviton.com/warranty.

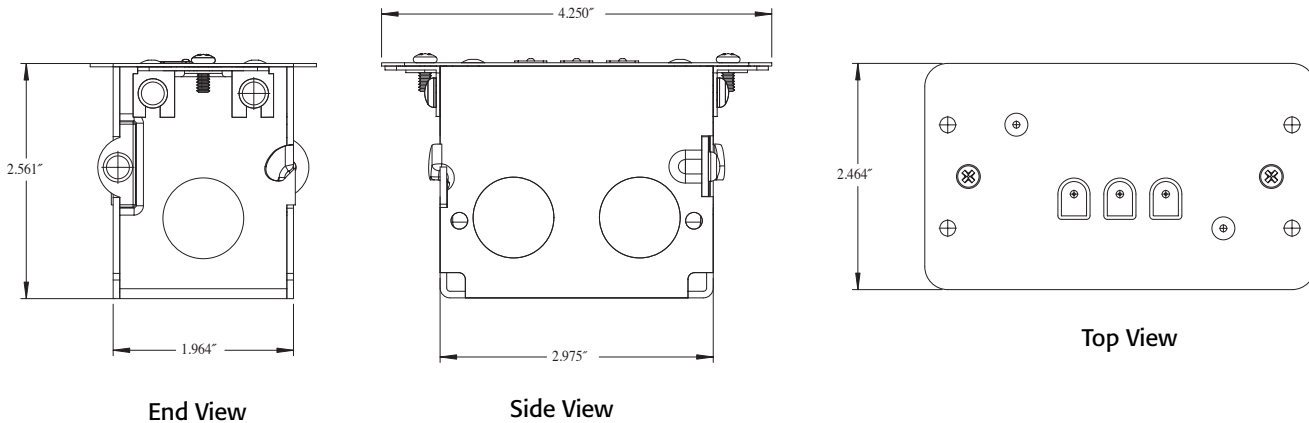
ELECTRONIC FILES

For CAD files, typical specs, or technical drawings (.DXF, .DWG), visit www.leviton.com.

47605-PSB

ELECTRICAL SPECIFICATIONS

Input AC Voltage Rating	90-264V AC
Input AC Current	1 Amp, max
DC Power Output Rating	10 Watts, approx.
Source Frequency	47/63 Hz
DC Outputs	3 outputs at 12V DC \pm 10% Max current = 833 mA, 10 Watts (total)
Inrush Current	< 20 Amp @ 115 VAC < 40 Amp @ 230 VAC
Efficiency	> 75% typical
LED	One green LED to indicate DC power is available
Short Circuit	Continuous
Surge Protection	Maximum Continuous Operating Voltage (MCOV): 300VAC Clamping Voltage: 775Vpk Surge Current Rating: 1800 Amps Joule Rating at 10/1000us: 42 joules



PART NUMBERS

Description	Part No.
Universal Mini DC Power Supply	47605-PSB



Leviton Network Solutions 2222 - 222nd St. SE Bothell, WA 98021-4416 tel 1-800-824-3005 tel +1-425-486-2222 appeng@leviton.com www.leviton.com	Asia / Pacific T +1.631.812.6228 E infoasean@leviton.com	Canada T +1.514.954.1840 E pcservice@leviton.com	Caribbean T +1.954.593.1896 E infocaribbean@leviton.com	China T +852.2774.9876 E infochina@leviton.com	Colombia T +57.1.743.6045 E infocolombia@leviton.com
	Europe T +33.6.8869.1380 E infoeurope@leviton.com	India / SAARC T +971.4.886.4722 E infoindia@leviton.com	Mexico T +52.55.5082.1040 E lsamarketing@leviton.com	Middle East & Africa T +971.4.886.4722 E lmeinfo@leviton.com	South Korea T +82.2.3273.9963 E infokorea@leviton.com