

S-Video 110-Termination QuickPort® Connector

APPLICATION

The S-Video 110-Termination QuickPort Connector provides video connectivity cabling for termination on UTP cable. The connectors snap into any QuickPort housing: flush- and surface-mount outlets, Multimedia Outlet System (with adapter), Decora® Inserts, patch panels, and patch blocks.



SPECIFICATION

The connector shall be an individual snap-in style 110-to-female connectors, and shall fit all other installed telecommunications wallplates, outlets, and field-configurable patch panels and patch blocks. The connector shall be available in ivory, white, light almond, grey, and black to match the housings or wallplates. The connector shall be UL listed. All plastics used in construction of the module bodies shall be fire retardant with a UL flammability rating of 94V-0.

FEATURES

- Compatible with all QuickPort wallplates, housings, and panels
- Available in a variety of colors to match housings or wallplates

DESIGN CONSIDERATIONS

- Check clearance behind proposed location of bulkhead module to ensure space for proper bend-radius of cabling media

STANDARDS COMPLIANCE

- cULus Listed

PHYSICAL SPECIFICATIONS

Dimensions: See page two

Materials: Connector bodies are high-impact, fire-retardant plastic rated UL 94V-0

COUNTRY OF ORIGIN

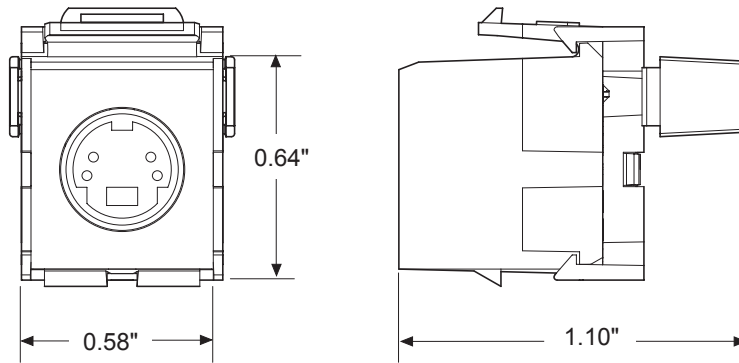
Mexico

WARRANTY INFORMATION

For a copy of Leviton product warranties, visit www.leviton.com/warranty.

ELECTRONIC FILES

For CAD files, typical specs, or technical drawings (.DXF, .DWG), visit www.leviton.com.



40734-SVx

PART NUMBERS

Description	WHITE	LT. ALMOND	IVORY	GREY	BLACK
S-Video 110-Termination QuickPort® Connector	40734-SVW	40734-SVT	40734-SVI	40734-SVG	40734-SVE



Leviton Network Solutions
2222 - 222nd St. SE
Bothell, WA 98021-4416

Asia / Pacific
T +1.631.812.6228
E infoasean@leviton.com

Canada
T +1.514.954.1840
E pcservice@leviton.com

Caribbean
T +1.954.593.1896
E infocaribbean@leviton.com

China
T +852.2774.9876
E infochina@leviton.com

Colombia
T +57.1.743.6045
E infocolombia@leviton.com

tel 1-800-824-3005
tel +1-425-486-2222
appeng@leviton.com
www.leviton.com

Europe
T +33.6.8869.1380
E infoeurope@leviton.com

India / SAARC
T +91.80.4322.5678
E infoindia@leviton.com

Mexico
T +52.55.5082.1040
E lsamarketing@leviton.com

Middle East & Africa
T +971.4.886.4722
E lmeinfo@leviton.com

South Korea
T +82.2.3273.9963
E infokorea@leviton.com