

# 3777



**Color:** N/A Gray Metal

**UPC Code:** 07847733185

**Country Of Origin:** Mexico

**NEMA:**  
Non-NEMA



## Brand Features

Leviton's Industrial Grade Locking Devices are built to provide unparalleled quality and superior performance in the most severe industrial settings. Leviton combines the best materials available with superior production standards to produce a broad selection of Locking Devices of unmatched flexibility and dependability.

## Item Description

50 Amp, 250 Volt DC/600 Volt AC, Non-NEMA, 2P, 3W, Black & White Locking Flanged Inlet, Industrial Grade, Grounding - GRAY METAL

## Technical Information

### Electrical Specifications

**Grounding:** Grounding

**Amperage:** 50 A

**Voltage:** 250 VAC

**Pole:** 2

**Wire:** 3

**Dielectric Voltage:** Withstands 2000V per UL498

**Maximum Working Voltage:** 250V DC/600V AC as rated

**Temperature Rise:** Max 30°C temp rise at full-rated current after 150 cycles of OL at 150% rated DC current

**Current Interrupting:** Certified for current interrupting at full rated current

### Environmental Specifications

**Flammability:** Rated V-2 per UL 94

**Operating Temperature:** -40°C to 75°C

**Environment:** Dry

### Material Specifications

**Face Module:** Nylon

**Body & Contract Carrier:** Reinforced Nylon

**Flanged Casing:** Zinc Plated Steel

**Inlet Blade:** 0.100inch thick Brass

**Terminal Block:** 0.062inch thick Copper

**Terminal Set Screw:** SS 302/304

**Ground Shunt:** Bronze

**Grounding Shunt Rivet:** Brass

**Color:** Gray Metal

### Mechanical Specifications

**Terminal ID:** X, W, Y, Z and Green for ground

**Terminal Accom.:** #10 min to #4max AWG Solid or Stranded Wire

**Product ID:** Ratings and Catalogue No. molded into face

### Product Features

**NEMA:** Non-NEMA

**Color:** Gray Metal

**Device Type:** Locking Flanged Inlet

**Brand:** Black and White

### Standards and Certifications

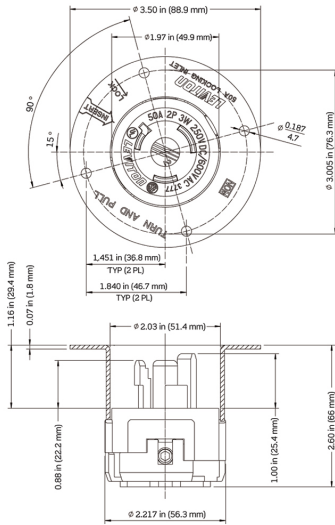
**UL498:** File E13399

**CSA C22.2 No. 42:** File 152105

**NOM:** 057

**RoHS:** Compliant

**Warranty:** Lifetime Limited



**SPECIFICATION SUBMITTAL**

JOB NAME:		CATALOG NUMBERS:	
<input type="text"/>		<input type="text"/>	<input type="text"/>
JOB NUMBER:		<input type="text"/>	<input type="text"/>

**Leviton Manufacturing Co., Inc.**

201 North Service Road, Melville, NY 11747

Teléfono: +1-800-323-8920 · FAX: +1-800-832-9538 · Tech Line (8:30AM-7:30PM E.S.T. Monday-Friday): +1-800-824-3005

**Leviton Manufacturing of Canada, Ltd.**

165 Hymus Boulevard, Pointe Claire, Quebec H9R 1E9 · Telephone: +1-800-469-7890 ·

FAX: +1-800-824-3005 · www.leviton.com/canada

**Leviton S. de R.L. de C.V.**

Lago Tana 43, Mexico DF, Mexico CP 11290 · Tel.: (+52)55-5082-1040 · FAX: (+52)5386-

1797 · www.leviton.com.mx

Visit our Website at: [www.leviton.com](http://www.leviton.com)

© 2018 Leviton Manufacturing Co., Inc. Todos los derechos reservados. Subject to change without notice.

**Leviton has a global presence.**

If you would like to know where your local Leviton office is located please go to:

[www.leviton.com/international/contacts/](http://www.leviton.com/international/contacts/)

