

# 3099-1E



Color:  Black

UPC Code: 07847741516

### Brand Features

Leviton's line of temporary power solutions now includes industrial grade portable outlet boxes with cover plates and weather resistant flip lids. For applications ranging from industrial and processing plants to construction and maintenance to entertainment and theater, these durable devices will help to deliver the power you need, where you need it. Constructed of high-performance TPV, these boxes maintain their integrity in most any temperature, are extremely resistant to harsh chemicals and exhibit excellent strength and resistance to fatigue. They are available in single and two-gang sizes, both feed-thru and pendant style. Plus, you can choose either high-visibility yellow (for most industrial and commercial applications) or black (for entertainment applications). Coverplates and Flip lids are available in many common configurations.

### Item Description

Portable Outlet Box, Sing-Gang, Extra Deep, Pendant Style, Cable Diameter (0.230" - 0.546") - BLACK

### Technical Information

#### Environmental Specifications

**Flammability:** Rated V-2 (Strain Relief), V-0 (Box) per UL 94

**Operating Temperature:** -20C to 100C

#### Material Specifications

**Box Material:** Santoprene™ TPV

**Locking Nut:** Steel

**Screw Inserts:** Nylon

**Strain Relief:** Nylon

#### Product Features

**Box Volume:** 22.3 cu in

**Color:** Black

**Device Type:** Box

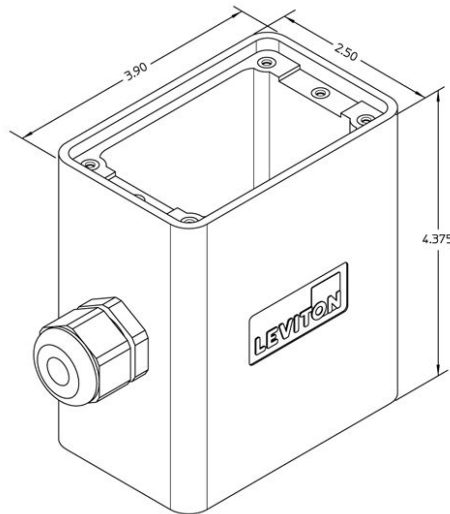
**Gang:** 1

**Style:** Pendant

#### Standards and Certifications

**RoHS:** Compliant

**UL Listed:** 514C



### SPECIFICATION SUBMITTAL

JOB NAME:	CATALOG NUMBERS:	
<input type="text"/>	<input type="text"/>	<input type="text"/>
JOB NUMBER:	<input type="text"/>	<input type="text"/>

**Leviton Manufacturing Co., Inc.**

201 North Service Road, Melville, NY 11747

Teléfono: +1-800-323-8920 · FAX: +1-800-832-9538 · Tech Line (8:30AM-7:30PM E.S.T. Monday-Friday): +1-800-824-3005

**Leviton Manufacturing of Canada, Ltd.**

165 Hymus Boulevard, Pointe Claire, Quebec H9R 1E9 · Telephone: +1-800-469-7890 ·

FAX: +1-800-824-3005 · [www.leviton.com/canada](http://www.leviton.com/canada)

**Leviton S. de R.L. de C.V.**

Lago Tana 43, Mexico DF, Mexico CP 11290 · Tel.: (+52)55-5082-1040 · FAX: (+52)5386-

1797 · [www.leviton.com.mx](http://www.leviton.com.mx)

**Visit our Website at: [www.leviton.com](http://www.leviton.com)**

© 2018 Leviton Manufacturing Co., Inc. Todos los derechos reservados. Subject to change without notice.

**Leviton has a global presence.**

If you would like to know where your local Leviton office is located please go to:

[www.leviton.com/international/contacts/](http://www.leviton.com/international/contacts/)

