



Color:  Yellow

UPC Code: 07847796789

Country Of Origin: United States

NEMA:  
L16-20R



## 27W76

### Brand Features

Leviton's Wetguard line of industrial watertight wiring devices are the most versatile, well-engineered watertight devices on the market. They meet IP67 and NEMA ratings for water ingress protection, and offer many significant advantages over competitive brands.

### Item Description

20 Amp, 480 Volt 3-Phase, NEMA L16-20R, 3P, 4W, Locking Connector, Industrial Grade, Grounding, Wetguard - YELLOW

### Technical Information

#### Electrical Specifications

**Grounding:** Grounding

**Amperage:** 20 A

**Voltage:** 480 VAC

**Pole:** 3

**Wire:** 4

**Dielectric Voltage:** Withstands 2000V per UL498

**Current Limiting:** Full Rated Current

**Temperature Rise:** Max 30C after 250 cycles OL at 200 percent rated current

#### Environmental Specifications

**Flammability:** Rated V-2 per UL 94

**Operating Temperature:** -40°C to 60°C

**Environment:** Wet

#### Material Specifications

**Body Material:** EPTR Rubber

**Compression Nut, Strain Relief:** Nylon

**Body Interior:** Nylon

**Wire Module:** Nylon

**Bushing:** Santoprene TPV

**Blades/Contacts:** Nickel-Plated Brass

**Terminal Screws:** Electroless Nickel-coated Brass

**Assembly Screws:** Stainless Steel 300

#### Mechanical Specifications

**Terminal ID:** Brass-Hot, Green-Ground, Silver-Neutral

**Terminal Accom.:** #16 to #10

**Product ID:** Ratings and NEMA I.D. permanently marked on device

**Cord Grip Range (in):** .375-.875

#### Product Features

**NEMA:** L16-20R

**Blades/Contacts:** Nickel-Plated Brass

**Body Material:** EPTR Rubber

**Assembly Screws:** Stainless Steel 300

**Standards and Certifications:** UL/CSA

**Color:** Yellow

**Brand:** Wetguard

**Device Type:** Locking Connector

#### Standards and Certifications

**NEMA:** WD-6

**ANSI:** C-73

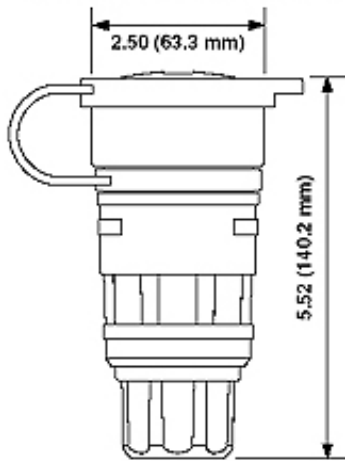
**UL:** 498

**CSA C22.2 No. 42:** File LR-406

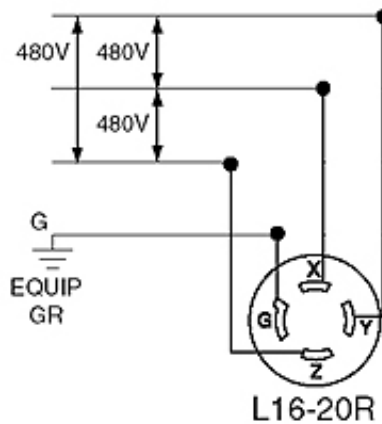
**NOM:** 057

**Warranty:** Lifetime Warranty

### Dimensional Diagram



### Wiring Diagram



### SPECIFICATION SUBMITTAL

JOB NAME:	CATALOG NUMBERS:	
<input type="text"/>	<input type="text"/>	<input type="text"/>
JOB NUMBER:	<input type="text"/>	<input type="text"/>

#### Leviton Manufacturing Co., Inc.

201 North Service Road, Melville, NY 11747

Teléfono: +1-800-323-8920 · FAX: +1-800-832-9538 · Tech Line (8:30AM-7:30PM E.S.T. Monday-Friday): +1-800-824-3005

#### Leviton Manufacturing of Canada, Ltd.

165 Hymus Boulevard, Pointe Claire, Quebec H9R 1E9 · Telephone: +1-800-469-7890 ·

FAX: +1-800-824-3005 · [www.leviton.com/canada](http://www.leviton.com/canada)

#### Leviton S. de R.L. de C.V.

Lago Tana 43, Mexico DF, Mexico CP 11290 · Tel.: (+52)55-5082-1040 · FAX: (+52)5386-

1797 · [www.leviton.com.mx](http://www.leviton.com.mx)

Visit our Website at: [www.leviton.com](http://www.leviton.com)

© 2018 Leviton Manufacturing Co., Inc. Todos los derechos reservados. Subject to change without notice.

#### Leviton has a global presence.

If you would like to know where your local Leviton office is located please go to:

[www.leviton.com/international/contacts/](http://www.leviton.com/international/contacts/)

