



Color:  Yellow

UPC Code: 07847796775

Country Of Origin: United States

NEMA:
L6-20R



27W48

Brand Features

Leviton's Wetguard products are the most versatile and well-engineered watertight devices on the market. They meet IP67 and NEMA ratings for water ingress protection, and offer many significant advantages over competitive brands.

Item Description

20 Amp, 250 Volt, NEMA L6-20R, 2P, 3W, Locking Connector, Industrial Grade, Grounding, Wetguard - YELLOW

Technical Information

Electrical Specifications

Grounding: Grounding

Amperage: 20 A

Voltage: 250 VAC

Pole: 2

Wire: 3

Dielectric Voltage: Withstands 2000V per UL498

Current Limiting: Full Rated Current

Temperature Rise: Max 30C after 250 cycles OL at 200 percent rated current

Environmental Specifications

Flammability: Rated V-2 per UL 94

Operating Temperature: -40°C to 60°C

Environment: Wet

Material Specifications

Body Material: EPTR Rubber

Compression Nut, Strain Relief: Nylon

Body Interior: Nylon

Wire Module: Nylon

Bushing: Santoprene TPV

Blades/Contacts: Nickel-Plated Brass

Terminal Screws: Electroless Nickel-coated Brass

Assembly Screws: Stainless Steel 300

Mechanical Specifications

Terminal ID: Brass-Hot, Green-Ground, Silver-Neutral

Terminal Accom.: 18-10 AWG

Product ID: Ratings and NEMA I.D. permanently marked on device

Cord Grip Range (in): .375-.875

Product Features

Blades/Contacts: Nickel-Plated Brass

NEMA: L6-20R

Body Material: EPTR Rubber

Assembly Screws: Stainless Steel 300

Standards and Certifications: UL/CSA

Color: Yellow

Brand: Wetguard

Device Type: Locking Connector

Standards and Certifications

NEMA: WD-6

ANSI: C-73

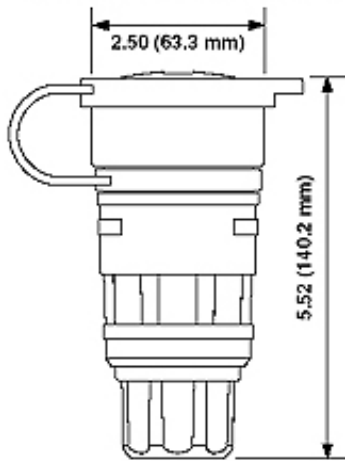
UL: 498

CSA C22.2 No. 42: File LR-406

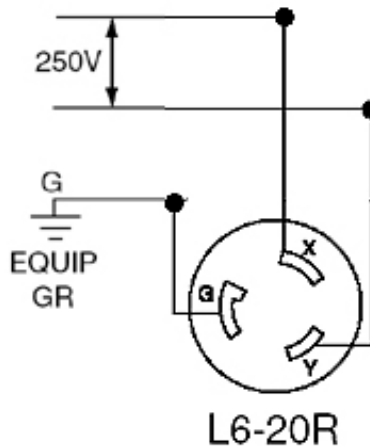
NOM: 057

Warranty: Lifetime Warranty

Dimensional Diagram



Wiring Diagram



SPECIFICATION SUBMITTAL

JOB NAME:	CATALOG NUMBERS:	
<input type="text"/>	<input type="text"/>	<input type="text"/>
JOB NUMBER:	<input type="text"/>	<input type="text"/>

Leviton Manufacturing Co., Inc.

201 North Service Road, Melville, NY 11747

Teléfono: +1-800-323-8920 · FAX: +1-800-832-9538 · Tech Line (8:30AM-7:30PM E.S.T. Monday-Friday): +1-800-824-3005

Leviton Manufacturing of Canada, Ltd.

165 Hymus Boulevard, Pointe Claire, Quebec H9R 1E9 · Telephone: +1-800-469-7890 ·

FAX: +1-800-824-3005 · www.leviton.com/canada

Leviton S. de R.L. de C.V.

Lago Tana 43, Mexico DF, Mexico CP 11290 · Tel.: (+52)55-5082-1040 · FAX: (+52)5386-

1797 · www.leviton.com.mx

Visit our Website at: www.leviton.com

© 2018 Leviton Manufacturing Co., Inc. Todos los derechos reservados. Subject to change without notice.

Leviton has a global presence.

If you would like to know where your local Leviton office is located please go to:

www.leviton.com/international/contacts/

