



UPC Code: 07847704586

Country Of Origin: Mexico

NEMA:
L10-30R



2660

Item Description

30 Amp, 125/250 Volt, NEMA L10-30R, 3P, 3W, Flush Mtg Locking Receptacle, Industrial Grade, Non-Grounding, V-0-MAX - BLACK

Technical Information

AC Horsepower Ratings

At Rated Voltage: 2 HP L-L / 2 HP L-N

Electrical Specifications

Grounding: Non-Grounding

Amperage: 30 A

Voltage: 125/250 VAC

Pole: 3

Wire: 3

Dielectric Voltage: Withstands 2000V per UL498

Current Limiting: Full Rated Current

Temperature Rise: Max 30C after 250 cycles OL at 200 percent rated current

Environmental Specifications

Flammability: Rated V-0 per UL 94

Operating Temperature: -40°C to 60°C

Environment: Corrosive

Material Specifications

Face Material: Nylon

Base Material: Nylon

Line Contacts: Brass

Terminal Screws: Chromated Brass

Grounding Screw: Chromated Brass

Body Material: Nylon

Cover Material: Valox 357

Yoke: Nickel-Plated Brass .050 Thick

Strap Material: Nickel-Plated Brass

Color: Black

Terminal Clamps: Nickel-Plated Brass

Ground Contacts: Brass

Mechanical Specifications

Terminal ID: Marked on Device

Terminal Accom.: 14-8 AWG

Product ID: Ratings and NEMA I.D. permanently marked on device

Termination: Back & Side

Product Features

Face Material: Nylon

NEMA: L10-30R

Base Material: Nylon

Color: Black

Standards and Certifications: UL

Warranty: Lifetime Limited

Device Type: Locking Receptacle

Brand: V-0-Max

Standards and Certifications

NEMA: WD-1 & WD-6

ANSI: C-73

UL Fed Spec: W-C-596

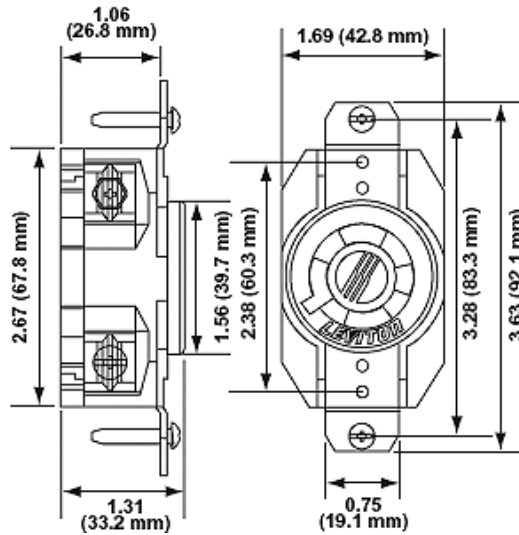
NOM: 057

UL: 498

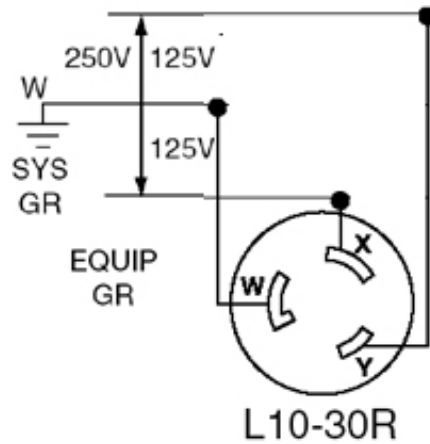
CSA: C22.2 No. 42

Warranty

Warranty: Lifetime Limited



Wiring Diagram



SPECIFICATION SUBMITTAL

JOB NAME:	CATALOG NUMBERS:	
<input type="text"/>	<input type="text"/>	<input type="text"/>
JOB NUMBER:	<input type="text"/>	<input type="text"/>

Leviton Manufacturing Co., Inc.

201 North Service Road, Melville, NY 11747

Teléfono: +1-800-323-8920 · FAX: +1-800-832-9538 · Tech Line (8:30AM-7:30PM E.S.T. Monday-Friday): +1-800-824-3005

Leviton Manufacturing of Canada, Ltd.

165 Hymus Boulevard, Pointe Claire, Quebec H9R 1E9 · Telephone: +1-800-469-7890 ·

FAX: +1-800-824-3005 · www.leviton.com/canada

Leviton S. de R.L. de C.V.

Lago Tana 43, Mexico DF, Mexico CP 11290 · Tel.: (+52)55-5082-1040 · FAX: (+52)5386-

1797 · www.leviton.com.mx

Visit our Website at: www.leviton.com

© 2018 Leviton Manufacturing Co., Inc. Todos los derechos reservados. Subject to change without notice.

Leviton has a global presence.

If you would like to know where your local Leviton office is located please go to:

www.leviton.com/international/contacts/

